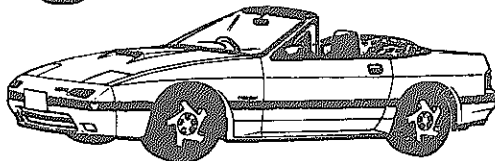
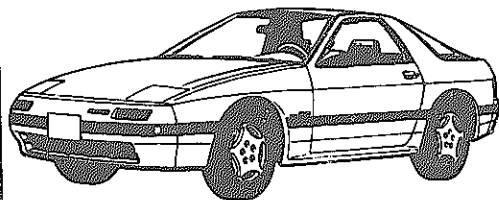


Parts Catalog

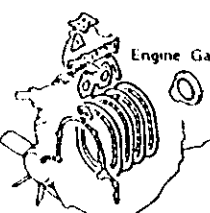
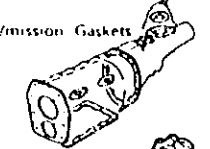
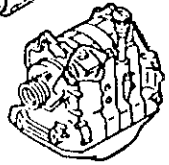
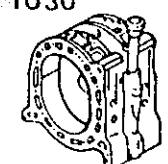

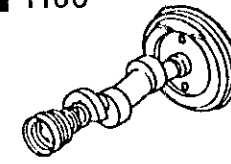
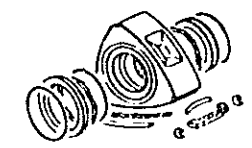
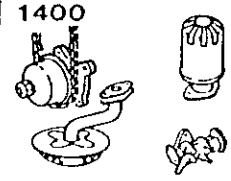
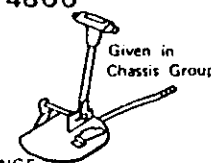
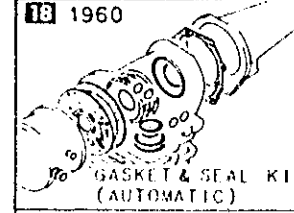
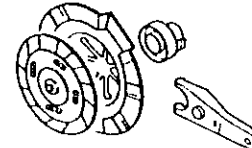
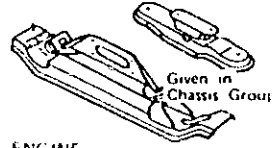
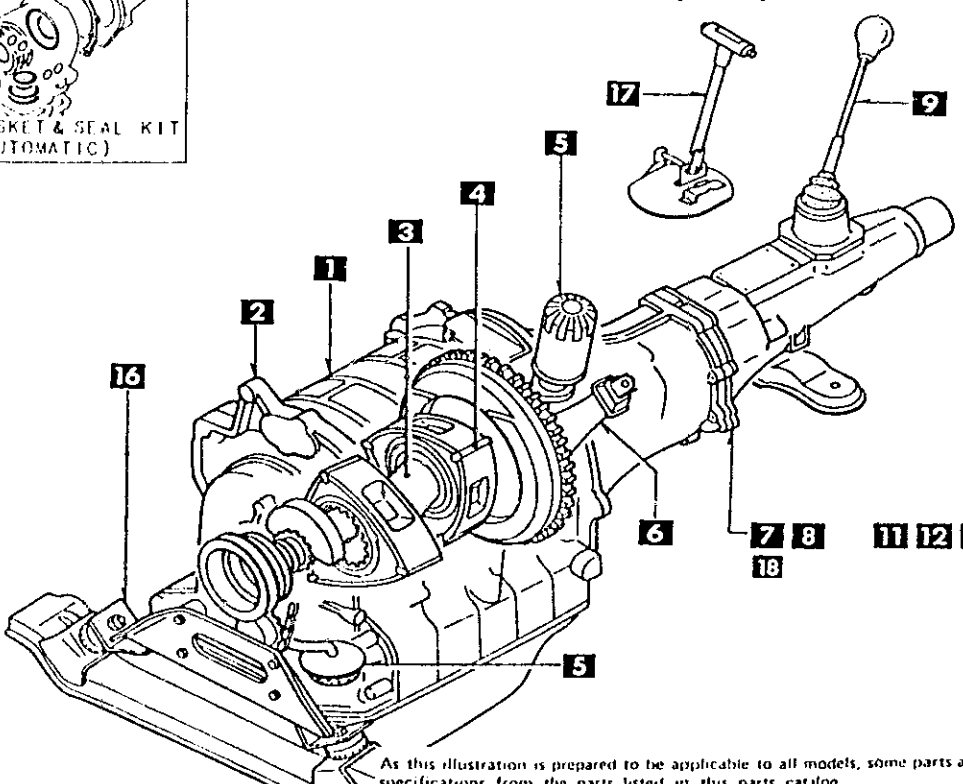
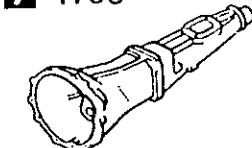
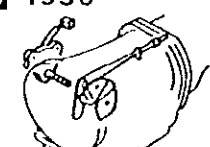
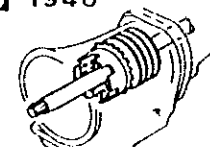
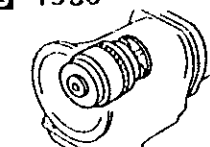
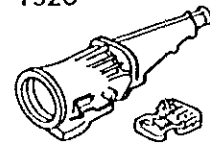
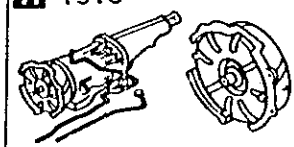
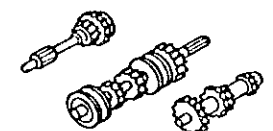
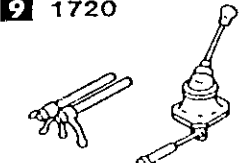
Mazda RX-7

('86-'88)

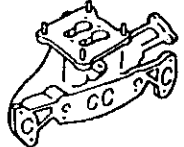
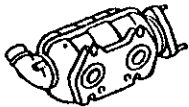

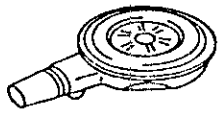
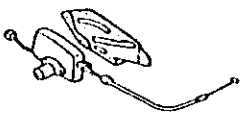
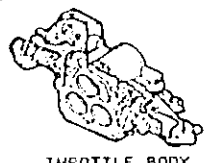
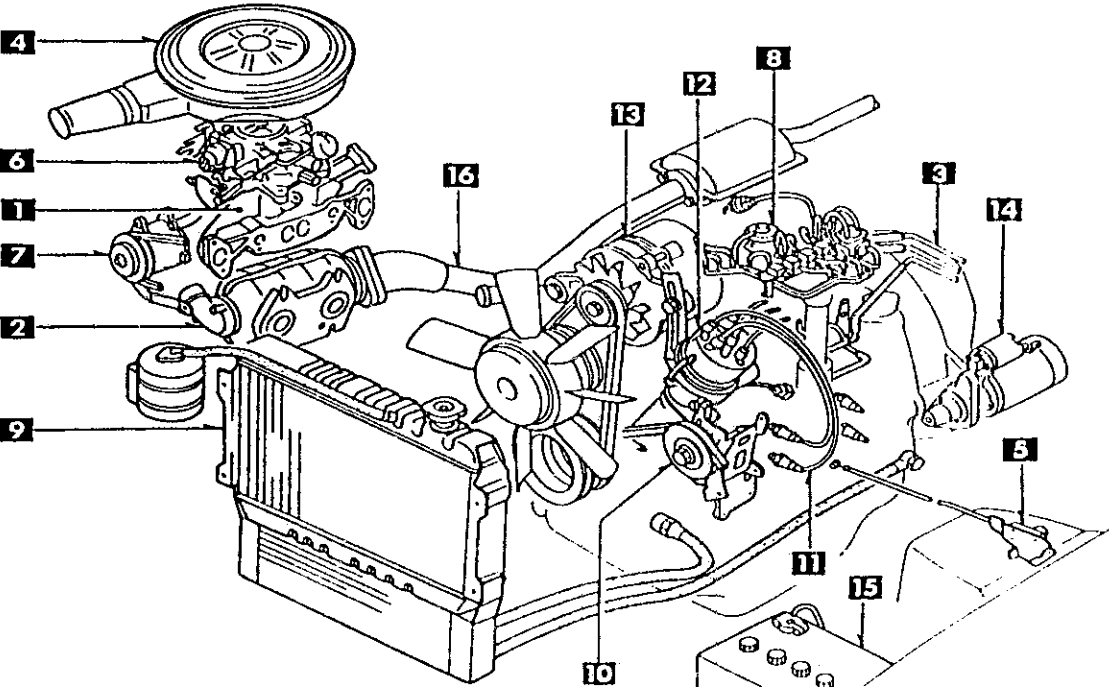
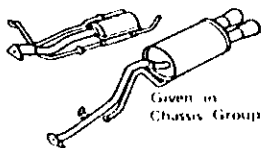

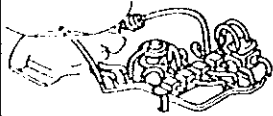
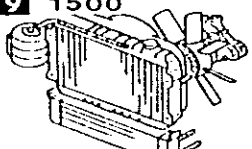
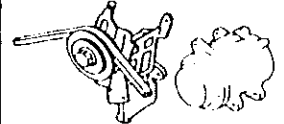
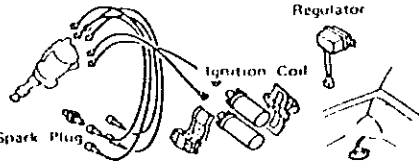
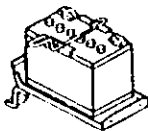
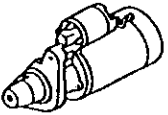
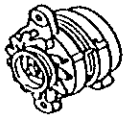
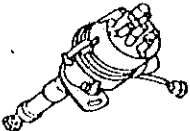

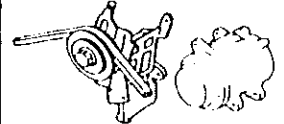


FC33-166001 -
FC351-100001 -

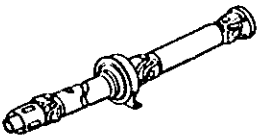
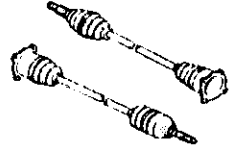

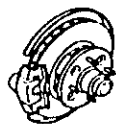
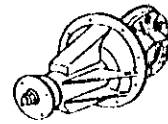
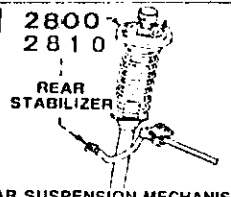
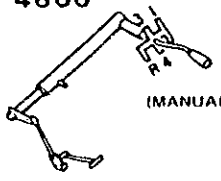
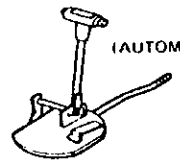
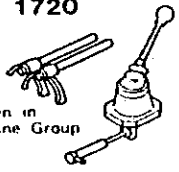
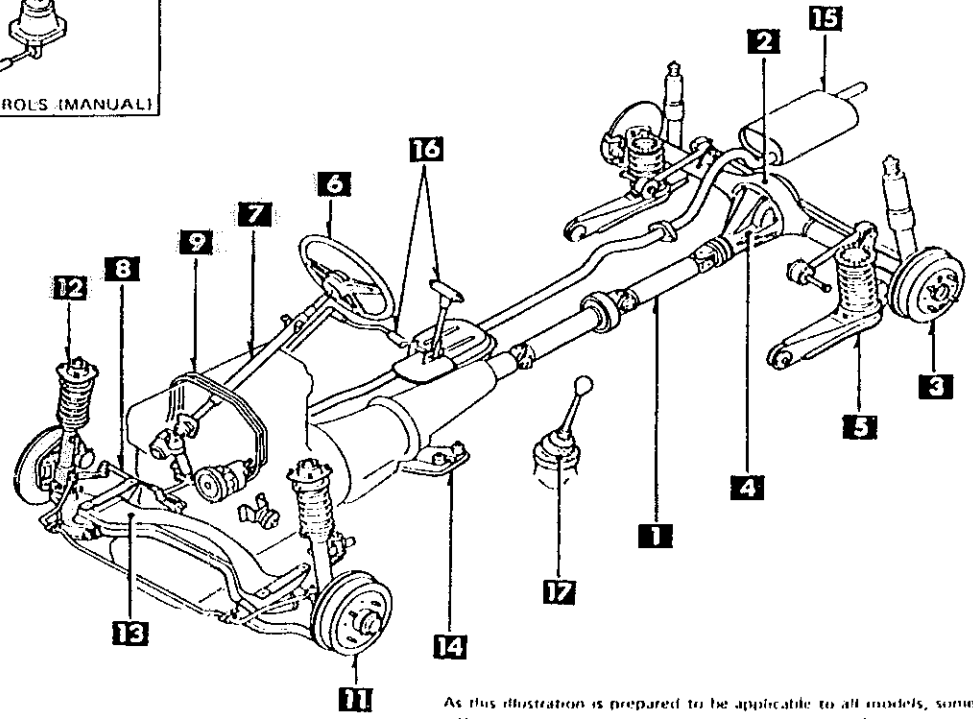

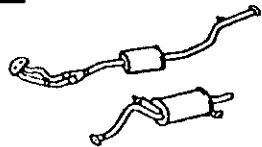

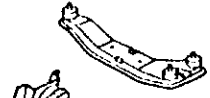
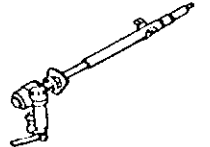
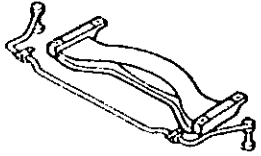
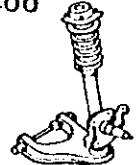


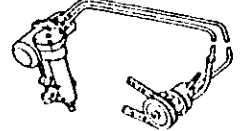
PICTORIAL INDEX

| | | | | | |
|---|---|--|---|---|--|
| <p>1000</p>  <p style="text-align: center;">Engine Gaskets</p>  <p style="text-align: center;">T/Mission Gaskets</p>  <p style="text-align: center;">SHORT ENGINE & GASKET SETS</p> | <p>1 1030</p>  <p style="text-align: center;">ROTOR HOUSING</p> | <p>2 1040</p>  <p style="text-align: center;">OIL PAN & FRONT & REAR HOUSINGS</p> | <p>3 1100</p>  <p style="text-align: center;">ECCENTRIC SHAFT & FLYWHEEL</p> | <p>4 1110</p>  <p style="text-align: center;">ROTOR & RELATED</p> | <p>5 1400</p>  <p style="text-align: center;">OIL PUMP & FILTER</p> |
| <p>17 4600</p>  <p style="text-align: center;">CHANGE CONTROLS (MANUAL)</p> | <p>18 1960</p>  <p style="text-align: center;">GASKET & SEAL KIT (AUTOMATIC)</p> | | | | <p>6 1600</p>  <p style="text-align: center;">CLUTCH (MANUAL)</p> |
| <p>16 3900</p>  <p style="text-align: center;">ENGINE & T/MISSION MOUNTINGS</p> | <p style="text-align: center;">ROTARY ENGINE (1/2)</p>  <p style="text-align: center;">As this illustration is prepared to be applicable to all models, some parts are different in specifications from the parts listed in this parts catalog.</p> | | | | <p>7 1700</p>  <p style="text-align: center;">T/MISSION CASE (MANUAL)</p> |
| <p>15 1950</p>  <p style="text-align: center;">MANUAL LINKAGE (AUTOMATIC T/MISSION)</p> | <p>14 1940</p>  <p style="text-align: center;">LOW, REVERSE & GOVERNOR (AUTOMATIC T/MISSION)</p> | <p>13 1930</p>  <p style="text-align: center;">CLUTCH & PLANETARY GEARS (AUTOMATIC T/MISSION)</p> | <p>12 1920</p>  <p style="text-align: center;">CASE & MAIN CONTROLS (AUTOMATIC T/MISSION)</p> | <p>11 1910</p>  <p style="text-align: center;">CONVERTER, OIL PUMP & PIPING (AUTOMATIC T/MISSION)</p> | <p>8 1710</p>  <p style="text-align: center;">T/MISSION GEARS (MANUAL)</p> |
| | | | | | <p>9 1720</p>  <p style="text-align: center;">CHANGE CONTROLS (MANUAL)</p> |
| <p>10</p> | | | | | |

PICTORIAL INDEX

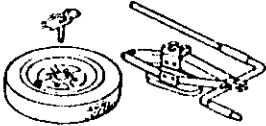
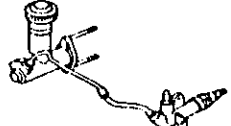

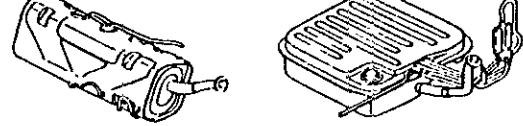
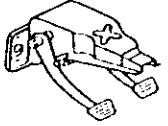
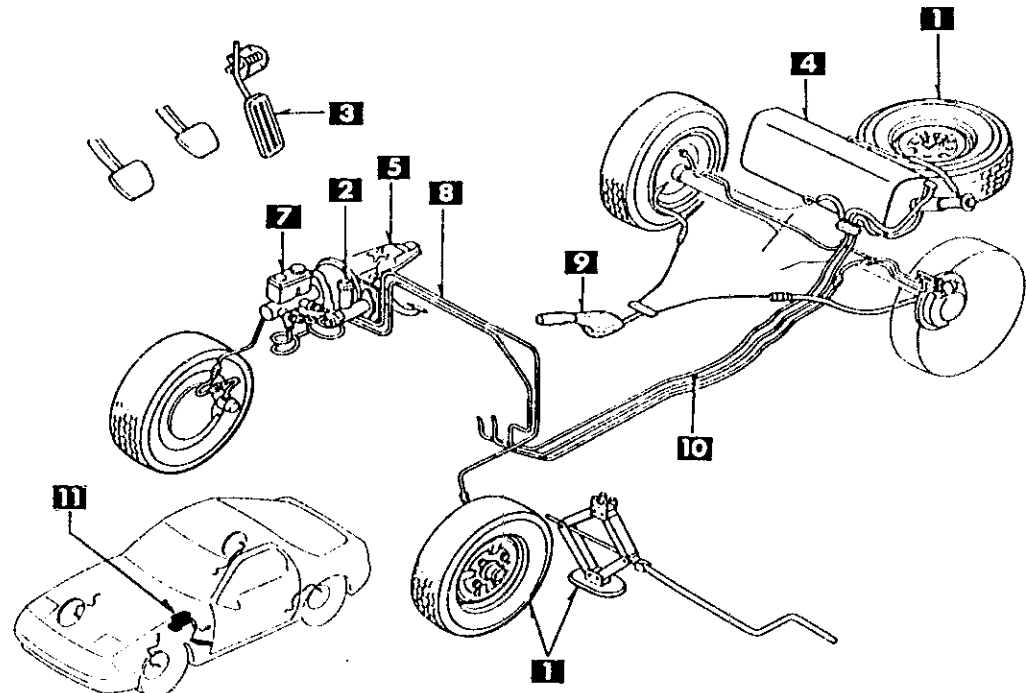
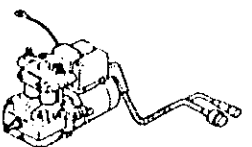
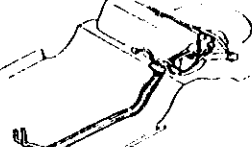

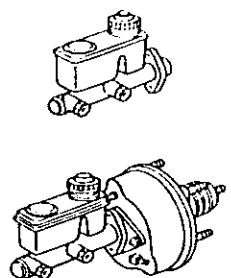

| | | | | | |
|--|--|--|---|--|---|
| <p>1 1300</p>  <p>IN. MANIFOLD</p> | <p>2 1310</p>  <p>THERMAL REACTOR</p> | <p>3 1320</p>  <p>FUEL SYSTEM</p> | <p>4 1330</p>  <p>AIR CLEANER</p> | <p>5 1350</p>  <p>STARTING ASSIST SYSTEM</p> | <p>6 1364</p>  <p>THROTTLE BODY</p> |
| <p>ROTARY ENGINE (2/2)</p>  <p>As this illustration is prepared to be applicable to all models, some parts are different in specifications from the parts listed in this parts catalog</p> | | | | | |
| <p>16 4000</p>  <p>Given in Chassis Group</p> <p>EX. SYSTEM</p> | <p>7 1371</p>  <p>EMISSION CONTROLS (AIR PUMP & CONTROL VALVE)</p> | <p>8 1380</p>  <p>EMISSION CONTROLS (EX. SIDE)</p> | <p>9 1500</p>  <p>COOLING SYSTEM</p> | <p>10 1580</p>  <p>COMPRESSOR BRACKET, PULLEY & BELT (AIR CONDITIONER)</p> | <p>11 1800</p>  <p>Regulator Ignition Coil Spark Plug</p> <p>ELECTRICAL SYSTEM (ENGINE)</p> |
| <p>15 1850</p>  <p>BATTERY</p> | <p>14 1840</p>  <p>STARTER</p> | <p>13 1830</p>  <p>ALTERNATOR</p> | <p>12 1820</p>  <p>DISTRIBUTOR</p> | <p>11 1800</p>  <p>V Belt</p> | <p>10 1580</p>  <p>COMPRESSOR BRACKET, PULLEY & BELT (AIR CONDITIONER)</p> |

PICTORIAL INDEX

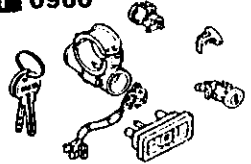
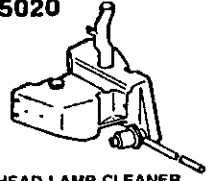

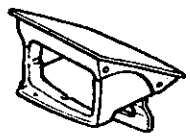
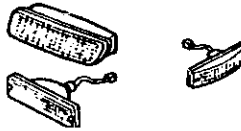
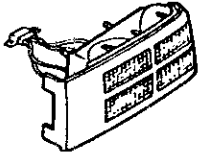
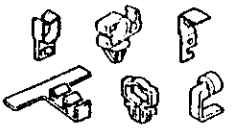
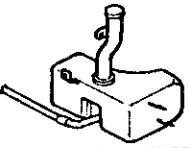
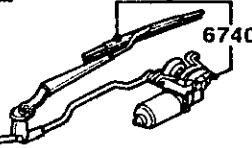
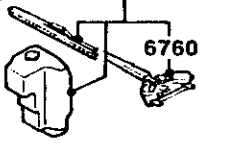
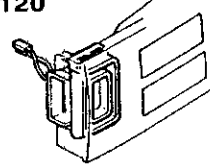

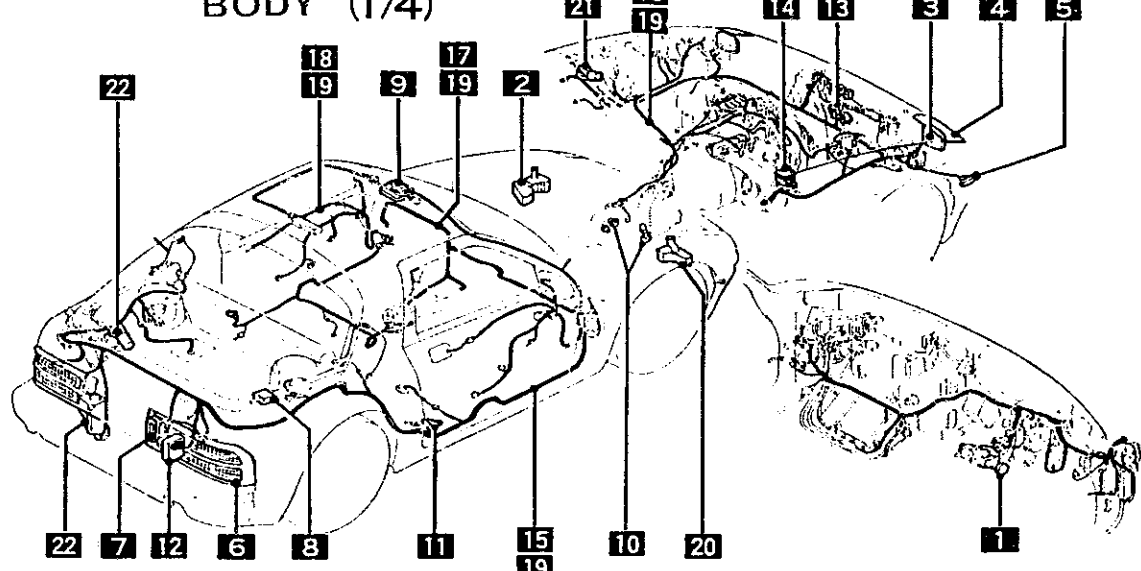
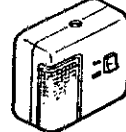

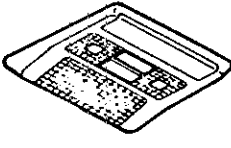



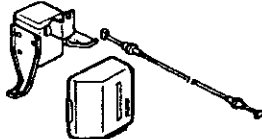
| | | | | | |
|---|--|---|---|--|--|
| <p>1 2500</p>  <p>PROPELLER SHAFT</p> | <p>2 2550</p>  <p>REAR DRIVE SHAFTS</p> | <p>2600</p>  <p>REAR AXLE</p> | <p>3 2610</p>  <p>REAR BRAKE MECHANISMS</p> | <p>4 2710</p>  <p>DIFFERENTIAL (REAR)</p> | <p>5 2800 2810</p>  <p>REAR STABILIZER</p> <p>REAR SUSPENSION MECHANISMS</p> |
| <p>13 4600</p>  <p>(MANUAL)</p>  <p>(AUTOMATIC)</p> <p>CHANGE CONTROLS</p> | <p>17 1720</p>  <p>Given in Engine Group</p> <p>CHANGE CONTROLS (MANUAL)</p> | <p>CHASSIS (1/2)</p>  | | | <p>2830</p>  <p>REAR LOWER ARMS & SUB FRAME</p> |
| <p>15 4000</p>  <p>EX. SYSTEM</p> | | | | <p>6 3200</p>  <p>STEERING WHEEL</p> | |
| <p>14 3900</p>  <p>ENGINE & T/MISSION MOUNTINGS</p> | | | | <p>7 3210</p>  <p>STEERING GEAR & COLUMN</p> | |
| <p>13 3410</p>  <p>CROSSMEMBER & STABILIZER</p> | <p>12 3400</p>  <p>FRONT SUSPENSION</p> | <p>11 3300</p>  <p>FRONT AXLE & BRAKES</p> | | <p>8 3220 3230</p>  <p>STEERING GEAR</p> <p>STEERING LINKAGE SYSTEM</p> | |
| | | | <p>10</p> | <p>9 3240</p>  <p>POWER STEERING SYSTEM</p> | |

As this illustration is prepared to be applicable to all models, some parts are different in specifications from the parts listed in this parts catalog.

PICTORIAL INDEX


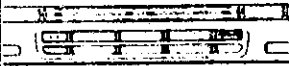




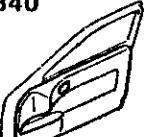
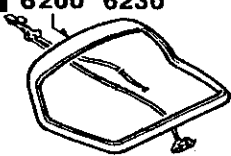





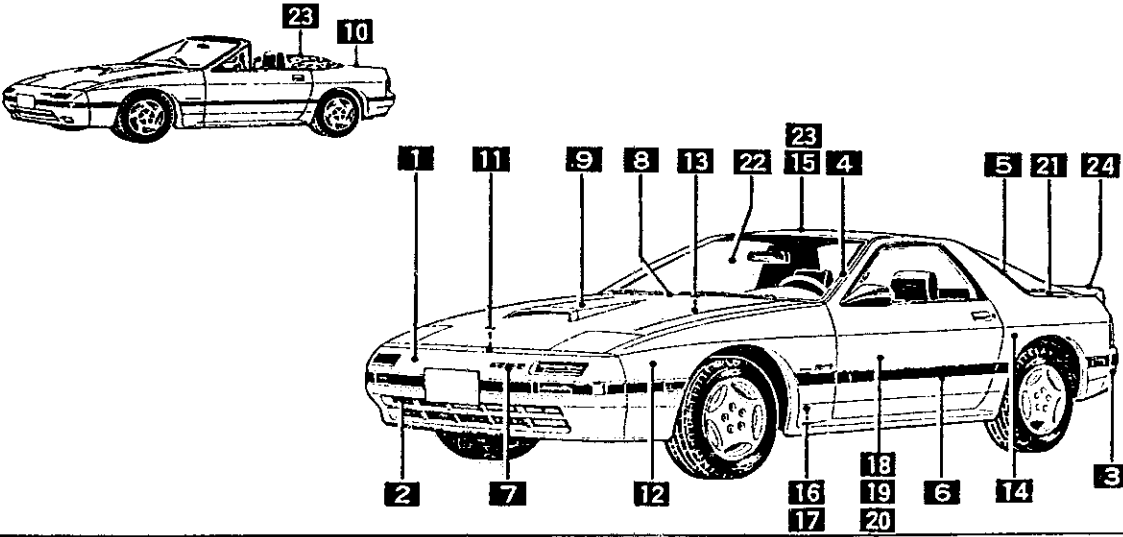
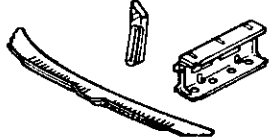
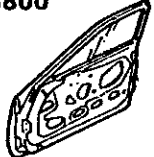
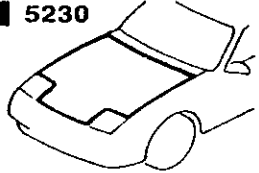
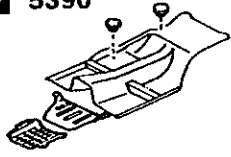



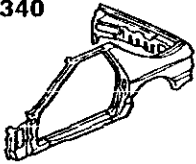
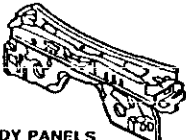
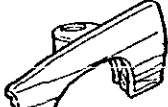
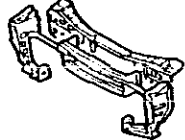
| | | | | |
|--|---|---|---|--|
| 1 3700  TIRE & JACK | 2 4140  CLUTCH RELEASE & MASTER CYLINDERS | 3 4160  ACCELERATOR CONTROLS | 4 4200  FUEL TANK | 5 4300  CLUTCH & BRAKE |
| CHASSIS (2/2) | | | | |
|  | | | | |
| <small>As this illustration is prepared to be applicable to all models, some parts are different in specifications from the parts listed in this parts catalog</small> | | | | |
| 11 4370  ANTILOCK BRAKE SYSTEM | | | | |
| 10 4500  FUEL & EVAPORATION PIPINGS | | | | |
| 9 4400  PARKING BRAKE SYSTEM | | | | |
| 7 4340  TANDEM MASTER CYL & VACUUM POWER ASSIST SYSTEM | | | | |
| 8 4360  BRAKE PIPING | | | | |
| 6 | | | | |

PICTORIAL INDEX

| | | | | | | |
|--|--|---|---|---|--|---|
| 1 0900  KEY SETS | 2 5020  HEAD LAMP CLEANER | 3 5100  HEAD LAMPS | 4 5103  HEAD LAMP RETRACTORS | 5 5105  FRONT COMBINATION LAMPS | 6 5110  REAR COMBINATION LAMPS | |
| 19 6704  WIRING HARNESS CLAMPS | 20 6720  WINDSHIELD WASHER | 21 6730  WINDSHIELD WIPERS | 22 6750  WINDOW WIPER & WASHER (REAR) | 7 5120  LICENSE LAMPS | | |
| 18 6703  WIRING HARNESSSES (DOOR, FLOOR/CEILING) | <div style="text-align: center;"> BODY (1/4) </div>  | | | | | 8 5125  INTERIOR LAMPS |
| 17 6702  WIRING HARNESSSES (DASHBOARD) | | | | | | 9 5130  OVERHEAD CONSOLE |
| 16 6701  WIRING HARNESSSES (ENGINE & T/MISSION) | | | | | | 10 6600  SWITCHES & RELAYS (ENGINE) |
| 15 6700  WIRING HARNESSSES (FRONT & REAR) | | | | | | 14 6640  AUTO CRUISE CONTROL SYSTEM |

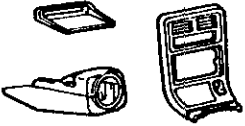
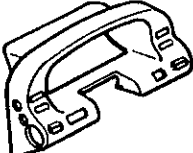
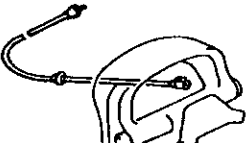
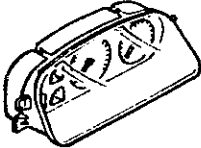
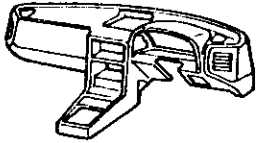
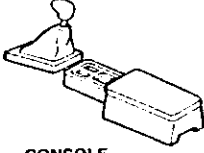
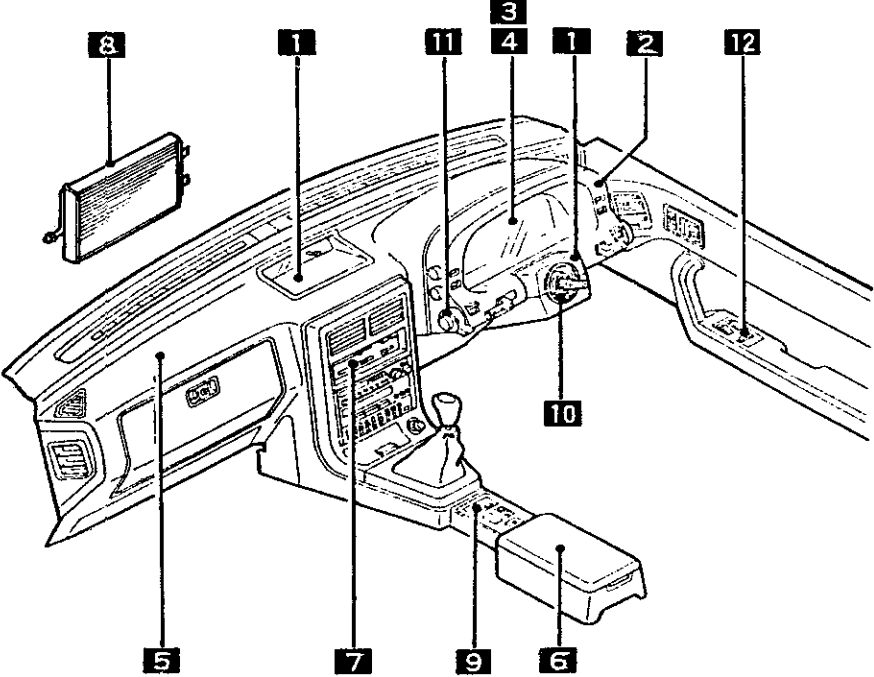
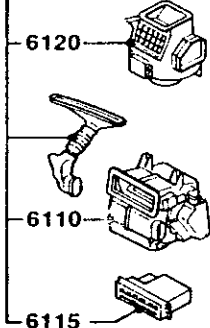
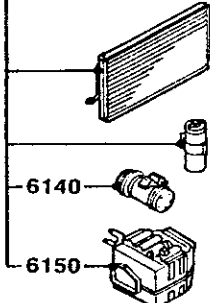
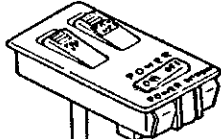
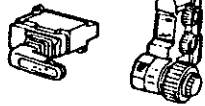
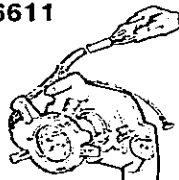
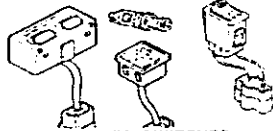
As this illustration is prepared to be applicable to all models, some parts are different in specifications from the parts listed in this parts Catalog

PICTORIAL INDEX

| | | | | | |
|---|--|--|--|---|--|
| 1 5000  FRONT BUMPER | 2 5005  RADIATOR GRILLE | 3 5010  REAR BUMPER | 4 5030  WINDOW MOULDINGS | 5 5040  BODY MOULDINGS | 6 5060  SIDE PROTECTORS |
| 20 5840  FRONT DOOR TRIMS & RELATED PARTS | 21 6200 6230  LIFT GATE MECHANISMS | 22 6300  WINDOW GLASSES | 23 6330  SUNROOF | 24 7800  SPOILERS & RELATED PARTS | 7 5170  ORNAMENTS |
| 19 5830  FRONT DOOR MECHANISMS | BODY (2/4)  | | | | 8 5180  COWL & EXTRACTOR GRILLES |
| 18 5800  FRONT DOORS | | | | | 9 5230  BONNET |
| 17 5390  FLOOR ATTACHMENTS | | | | | 10 5260  TRUNK LID |
| 16 5370  BODY PANELS (FLOOR) | 15 5360  BODY PANELS (ROOF) | 14 5340  BODY PANELS (SIDE) | 13 5330  BODY PANELS (DASH & COWL PANEL) | 12 5320  BODY PANELS (FENDER & WHEEL APRON) | 11 5310  BODY PANELS (FRONT) |

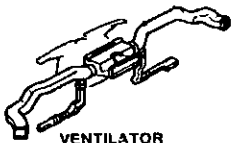

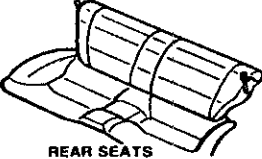
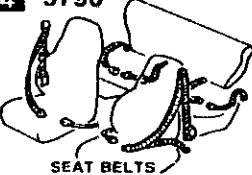
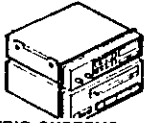
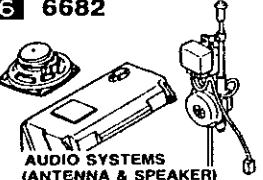
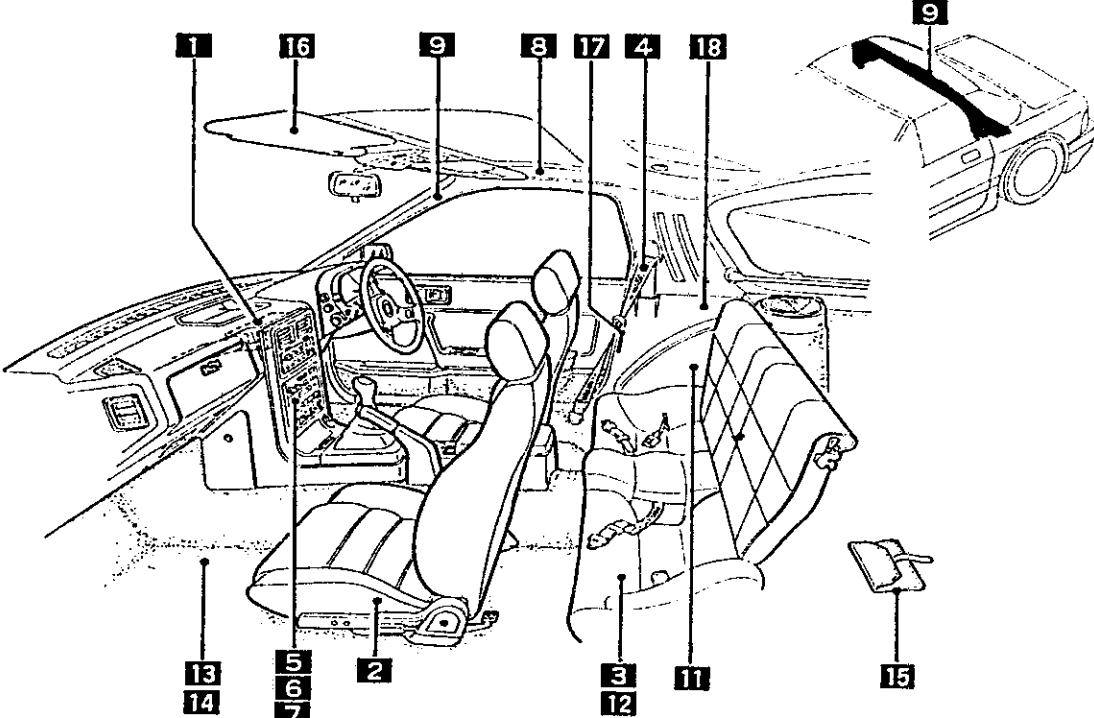

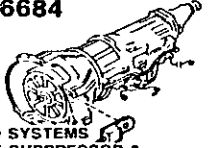
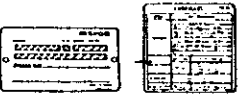

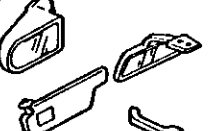

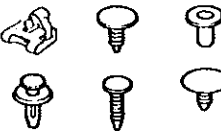
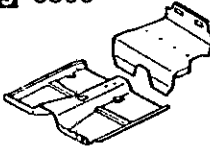
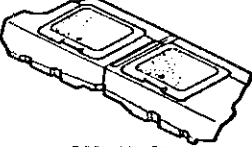

As this illustration is prepared to be applicable to all models, some parts are different in specifications from the parts listed in this parts Catalog

PICTORIAL INDEX

| | | | | | | | | |
|--|---|---|---|--|--|--|--|--|
| <p>1 5500</p>  <p>DASHBOARD EQUIPMENTS</p> | <p>2 5520</p>  <p>METER HOOD</p> | <p>3 5530</p>  <p>SPEEDOMETER CABLE</p> | <p>4 5540</p>  <p>METERS</p> | <p>5 5560</p>  <p>DASHBOARD & RELATED PARTS</p> | <p>6 5570</p>  <p>CONSOLE</p> | | | |
| <p>BODY (3/4)</p>  | | | | | | | | |
| <p>7 6100</p>  <p>6120</p> <p>6110</p> <p>6115</p> <p>HEATER</p> | | | | | | | | |
| <p>8 6130</p>  <p>6140</p> <p>6150</p> <p>AIR CONDITIONER</p> | | | | | | | | |
| <p>12 6615</p>  <p>POWER WINDOW SWITCHES</p> | | | | | | <p>11 6612</p>  <p>CLUSTER SWITCH</p> | <p>10 6611</p>  <p>COMBINATION SWITCH</p> | <p>9 6610</p>  <p>DASHBOARD SWITCHES (MANUAL OPERATING)</p> |

As this illustration is prepared to be applicable to all models, some parts are different in specifications from the parts listed in this parts Catalog

PICTORIAL INDEX

| | | | | | |
|---|--|--|--|---|---|
| <p>1 5580</p>  <p style="text-align: center;">VENTILATOR</p> | <p>2 5700</p>  <p style="text-align: center;">FRONT SEATS</p> | <p>3 5750</p>  <p style="text-align: center;">REAR SEATS</p> | <p>4 5790</p>  <p style="text-align: center;">SEAT BELTS</p> | <p>5 6680</p>  <p style="text-align: center;">AUDIO SYSTEMS (RADIO & TAPE DECK)</p> | <p>6 6682</p>  <p style="text-align: center;">AUDIO SYSTEMS (ANTENNA & SPEAKER)</p> |
| <p>BODY (4/4)</p>  | | | | | |
| <p>18 7250</p>  <p style="text-align: center;">REAR WINDOW GLASSES & TRIMS</p> | | | | | <p>7 6684</p>  <p style="text-align: center;">AUDIO SYSTEMS (NOISE SUPPRESSOR & EARTH CORD)</p> |
| | | | | | |
| | | | | | |
| | | | | | |
| <p>17 6930</p>  <p style="text-align: center;">CAUTION PLATES & LABELS</p> | | | | | <p>8 6800</p>  <p style="text-align: center;">CEILING TRIMS</p> |
| | | | | | |
| | | | | | |
| | | | | | |
| <p>16 6900</p>  <p style="text-align: center;">VISORS, ASSIST HANDLES & MIRRORS</p> | <p>15 6870</p>  <p style="text-align: center;">SERVICE TOOLS</p> | <p>14 6865</p>  <p style="text-align: center;">TRIM CLIPS & FASTENERS</p> | <p>13 6860</p>  <p style="text-align: center;">FLOOR MATS & PADS</p> | <p>12 6845</p>  <p style="text-align: center;">STRAGE BOX</p> | <p>11 6840</p>  <p style="text-align: center;">TRIMS & SCUFF PLATES</p> |

As this illustration is prepared to be applicable to all models, some parts are different in specifications from the parts listed in this parts Catalog

MODEL IDENTIFICATION

| MDL NO. | ENG* | | T/M | BODY | | ROOF | | SUSP | | DIFF | BRK | | SUSP | | SEAT | | PERIOD | | YEAR | | | TRIM LEVEL | | | | | | | | | | COMPLETE ASSEMBLY UNIT | | | | | |
|---------|-------|---------|-------|-------|------|------|---------|------|-----|------|---------|-----|------|------|------|---|--------|-------|------|------|------|------------|------|------|----|-------|-----|-----------------|--------|-----------|----------|------------------------|---------------|---------------|--------------|--------------|-------------|
| | W/O | W/TURBO | 5 | AUTO | C | C | N | S | W/O | W/A | N | L | W/O | W/A | N | H | 2 | 2 | F | T | 1 | 1 | 1 | B | L | S | S | G | G | T | C | 1 | PART NUMBER | | | | |
| | TURBO | TURBO | SPEED | COUPE | CONV | NORM | SUNROOF | W/O | W/A | NORM | LIMSLIP | W/O | W/A | NORM | HARD | 2 | 2 | FROM | TO | 1986 | 1987 | 1988 | BASE | LPKG | SE | SPORT | GTU | GXL | TURBO | CONV | 10TH ANN | | | | | | |
| | | | | | | | | | | | | | | | | | | | | | | | | | | | | VIN (CHASSIS #) | ENGINE | T/MISSION | CABIN | | | | | | |
| FB01 | X | | X | X | X | X | X | X | X | X | X | X | X | X | X | X | 8/85 | 12/88 | X | X | X | X | X | X | X | | | | | | | | | FC33*-100001- | N326-02-000 | M582-03-000 | FB01-07-000 |
| FB02 | X | | | X | X | X | X | X | X | X | X | X | X | X | X | X | 8/85 | 12/88 | X | X | X | X | X | X | X | | | | | | | | | FC33*-100001- | N327-02-000 | BU17-19-090F | FB02-07-000 |
| FB03 | X | | X | X | | X | X | X | X | X | X | X | X | X | X | X | 8/85 | 12/88 | X | X | X | | X | X | | | | | | | | | | FC33*-100001- | N326-02-000 | M582-03-000 | FB03-07-000 |
| FB04 | X | | | X | X | | X | X | X | X | X | X | X | X | X | X | 8/85 | 12/88 | X | X | X | | X | X | | | | | | | | | | FC33*-100001- | N327-02-000 | BU17-19-090F | FB04-07-000 |
| FB07 | X | | X | X | | X | X | X | X | X | X | X | X | X | X | X | 8/85 | 12/88 | X | X | X | | | | | | | | | X | | | | FC33*-100001- | N326-02-000 | M582-03-000 | FB07-07-000 |
| FB08 | X | | | X | X | | X | X | X | X | X | X | X | X | X | X | 8/85 | 12/88 | X | X | X | | | | | | | | X | | | | | FC33*-100001- | N327-02-000 | BU17-19-090F | FB08-07-000 |
| FB11 | X | | X | X | | X | X | X | X | X | X | X | X | X | X | X | 8/85 | 12/88 | X | X | X | | | | | | | X | | | | | FC33*-100001- | N326-02-000 | M582-03-000 | FB07-07-000 | |
| FB12 | X | | | X | X | | X | X | X | X | X | X | X | X | X | X | 8/85 | 12/88 | X | X | X | | | | | | | X | | | | | FC33*-100001- | N327-02-000 | BU17-19-090F | FB08-07-000 | |
| FB39 | X | | X | X | X | X | X | X | X | X | X | X | X | X | X | X | 8/85 | 12/88 | X | X | X | X | X | X | | | | | | | | | | FC33*-100001- | N326-02-000 | M582-03-000 | FB01-07-000 |
| FB40 | X | | | X | X | X | X | X | X | X | X | X | X | X | X | X | 8/85 | 12/88 | X | X | X | X | X | X | | | | | | | | | | FC33*-100001- | N327-02-000 | BU17-19-090F | FB02-07-000 |
| FB41 | X | | X | X | | X | X | X | X | X | X | X | X | X | X | X | 8/85 | 12/88 | X | X | X | | X | X | | | | | | | | | | FC33*-100001- | N326-02-000 | M582-03-000 | FB03-07-000 |
| FB42 | X | | | X | X | | X | X | X | X | X | X | X | X | X | X | 8/85 | 12/88 | X | X | X | | X | X | | | | | | | | | | FC33*-100001- | N327-02-000 | BU17-19-090F | FB04-07-000 |
| FB43 | X | | X | X | X | X | X | X | X | X | X | X | X | X | X | X | 8/85 | 12/88 | X | X | X | | | | | | | X | X | | | | | FC33*-100001- | N326-02-000 | M582-03-000 | FB01-07-000 |
| FB47 | | X | X | X | | X | X | | X | X | | X | X | | X | X | 2/86 | 12/88 | | X | X | | | | | | | | | X | | | | FC33*-500001- | N332-02-000 | R526-03-000 | FB46-07-000 |
| FB69 | X | | X | X | | X | X | X | X | X | X | X | X | X | X | X | 11/85 | 12/88 | X | X | X | | | | | | | X | X | | | | | FC33*-100001- | N326-02-000 | M582-03-000 | FB03-07-000 |
| FB55 | X | | X | X | | X | X | X | X | X | X | X | X | X | X | X | 6/86 | 12/88 | | X | X | | | | | | | | X | | | | FC33*-500001- | N326-02-000 | M582-03-000 | FB55-07-000 | |
| FB56 | X | | | X | X | | X | X | X | X | X | X | X | X | X | X | 6/86 | 12/88 | | X | X | | | | | | | | X | | | | FC33*-500001- | N327-02-000 | BU17-19-090F | FB56-07-000 | |
| FB57 | X | | X | X | | X | X | X | X | X | X | X | X | X | X | X | 6/86 | 12/88 | | X | X | | | | | | | | X | | | | FC33*-500001- | N326-02-000 | M582-03-000 | FB55-07-000 | |

* 13B ENGINE.

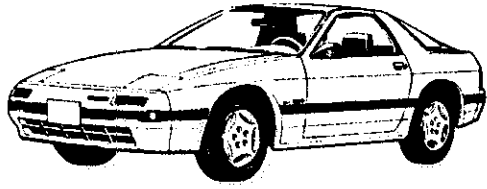
MODEL IDENTIFICATION

| MODEL NO. | ENG* | | T/M | BODY | | ROOF | | SUSP | | DIFF | BRK | | SUSP | | SEAT | | PERIOD | | YEAR | | | TRIM LEVEL | | | | | | | | | | COMPLETE ASSEMBLY UNIT | | | | | | |
|-----------|-------|---------|------|------|------|------|------|---------|-----|------|------|---------|------|-----|------|------|--------|------|-------|------|----|------------|-----|-----|------|-----|-------|-----|----|-------|------|------------------------|-------------|---------------|----------------|--------------|-------------|-------|
| | W/O | W/TURBO | S | A | C | C | N | S | W/O | W/A | N | L | W/O | W/A | N | H | 2 | 2 | F | T | 1 | 1 | 1 | B | L | S | S | G | G | T | C | 1 | PART NUMBER | | | | | |
| | TURBO | TURBO | PEED | UTO | OUPE | ONV | NORM | SUNROOF | W/O | W/A | NORM | LIMSLIP | W/O | W/A | NORM | HARD | SEATER | + | 2 | FROM | TO | 986 | 987 | 988 | BASE | PKG | SPORT | GTU | GL | TURBO | CONV | 10TH | PART NUMBER | | | | | |
| | | | | | | | | | | | | | | | | | | | | | | | | | | | | | | | | | | | VW (CHASSIS #) | ENGINE | T/MISSION | CABIN |
| FB58 | X | | | X | X | | X | | X | | X | X | X | X | X | X | X | 6/86 | 12/88 | | X | X | | | | | | X | | | | | | FC33*-500001- | N327-02-000 | BU17-19-090F | FB56-07-000 | |
| FB61 | | X | X | | X | | X | X | | X | | X | X | X | X | X | X | 6/86 | 12/88 | | X | X | | | | | | | X | | | | | FC33*-500001- | N332-02-000 | R526-03-000 | FB61-07-000 | |
| FB77 | X | | X | | X | | X | | X | X | | X | X | X | X | X | X | 7/87 | 12/88 | | | | X | | | | X | X | | | | | | FC33*-600001- | N326-02-000 | M582-03-000 | FB01-07-000 | |
| FB78 | X | | X | | X | | X | X | | X | | X | X | X | X | X | X | 7/87 | 12/88 | | | | X | | | | X | X | | | | | | FC33*-600001- | N326-02-000 | M582-03-000 | FB03-07-000 | |
| FB68 | X | | X | | X | | X | | X | | X | | X | X | X | X | X | 7/87 | 12/88 | | | | X | | | | | | | X | | | | FC351-100001- | N338-02-000 | M50N-03-000 | FB67-07-000 | |
| FB79 | | X | X | | | | X | X | | X | X | | X | X | X | X | X | 2/88 | 12/88 | | | | X | | | | | | | | X | | | FC33*-500001- | N332-02-000 | R526-03-000 | FB79-07-000 | |

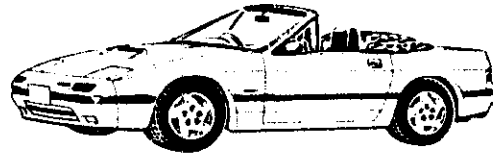
* 13B ENGINE.

MODEL IDENTIFICATION

COUPE



CONVERTIBLE



COMBINATION LIST OF BODY PAINTS AND INTERIOR COLORS

| BODY PAINT | | INTERIOR COLOR CODE - | | | | | | EFFECTIVE DATE |
|--------------------------|------|-----------------------|-----|-----|-------|-----|-----|----------------|
| NAME | CODE | COUPE | | | CONV. | | | |
| ARCTIC SILVER METALLIC | J5 | | FD5 | FD6 | | FD5 | FD6 | |
| TORONADE SILVER METALLIC | K8 | FD2 | FD5 | | | | | |
| BRILLIANT BLACK | PZ | FD2 | FD5 | | | FD5 | | 860402- |
| SUNRISE RED | RH | FD2 | FD5 | | | FD5 | | |
| CRYSTAL WHITE | UC | | | | FD7 | | | 880215- |
| NOBLE WHITE | WY | | | FD6 | | | FD6 | |
| SATIN GOLD METALLIC | 1A | FD2 | | | | | | |
| CLARET MICA | 2H | | FD5 | | | | | 870701- |
| SAPPHIRE BLUE METALLIC | 5A | | FD5 | FD6 | | | FD6 | |
| PURE RED | NP | | FD5 | | | | | 860402- |
| DOVER WHITE | WU | FD2 | FD5 | FD6 | | | | 860402- |
| ROYAL MAROON METALLIC | 3A | FD2 | FD5 | | | | | 861225- |

INTERIOR COLOR CODES

- FD2 = RED
- FD5 = GRAY
- FD6 = BLUE
- FD7 = BLACK

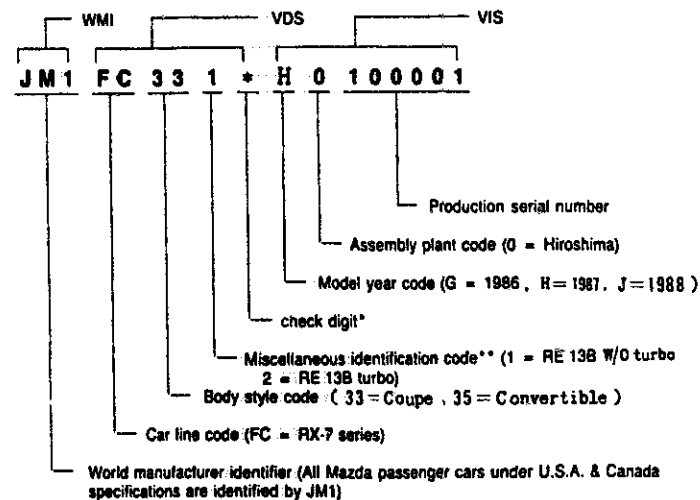
VIN BREAKDOWN

- 860402 FC33° -140427
- 861225 FC33° -528438
- 870701 FC33° -600001

VEHICLE IDENTIFICATION SYSTEM FOR RX-7

SERIES (1986~1988)

VIN (= Vehicle Identification Number) for RX-7 series (1986~1988 Year Model) consists of WMI (= World Manufacturer Identifier), VDS (= Vehicle Description Section) and VIS (= Vehicle Identification Section). VDS consisting of six alphanumeric characters denotes the "MODEL SERIES". VIS consisting of eight alphanumeric characters denotes the serial unit number of vehicle and is sequentially numbered within each VDS.

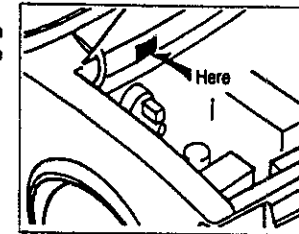


* Check digit is included as a VIN security feature to permit law enforcement verification of the authenticity of a suspected illegal VIN plate. This single digit number is determined, based upon a complex mathematical formula which is applied to each vehicle's VIN number.

** Miscellaneous Identification Code identifies major components such as engine, brake system, cab type, etc.

LOCATION OF VIN PLATE

The plate is attached to the top ledge of the dash panel under the bonnet (engine hood), refer to the illustration shown right.



[NOTE]

If the VIN (chassis) reference number in the PCM (Parts catalog microfiche) appeared as:

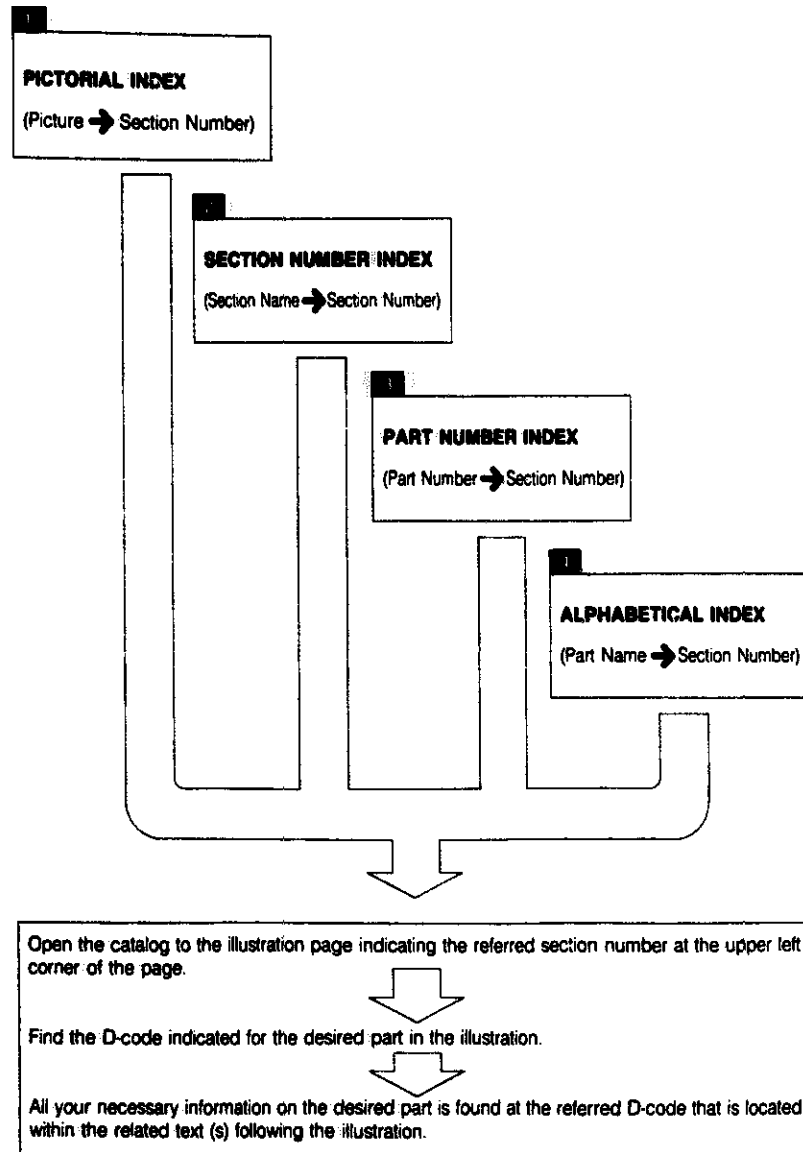
FC33 *-100001

.....the vehicle's VIN would be e.g. FC3311H0100001.

INSTRUCTIONS

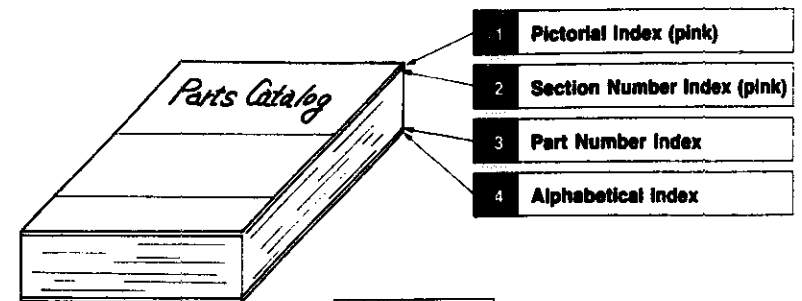
HOW TO LOCATE PARTS

There are four approaches to locate parts as follows.



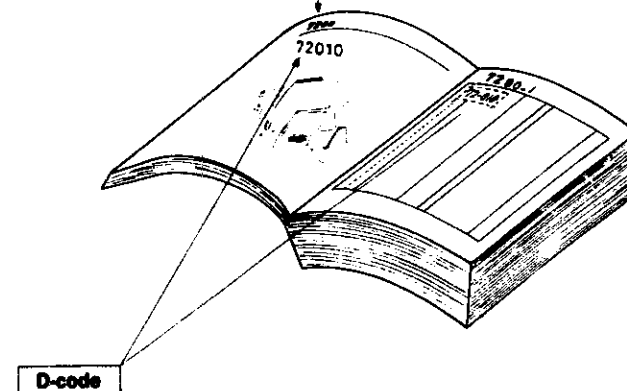
IMPORTANT

If you are not sure which parts catalog compiled to cover the model you are researching, refer to **MODEL IDENTIFICATION** and/or **VEHICLE IDENTIFICATION SYSTEM** located at the very front part of the parts catalog



Section Number

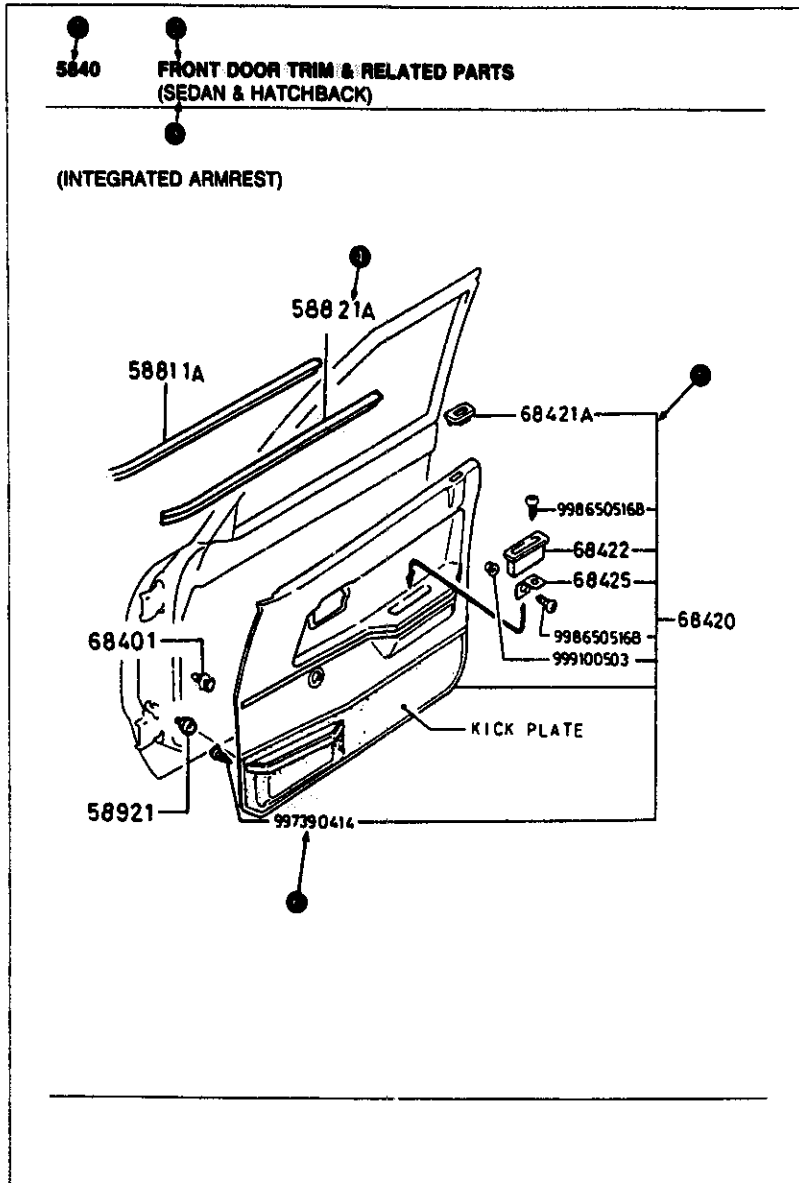
The illustration and related text pages are compiled in numerical sequence by section number through the parts catalog. However, there is one exception : the section number, "0900 key sets" is always located in the first part of Body group.



In the text, the D-codes and the related information are listed in the alphabetical and numerical sequence by D-code within each section number

HOW TO INTERPRET THE ILLUSTRATION

In the example shown below, each item is interpreted as follows.



1 SECTION NUMBER

Each illustration is identified by Section Number which indicates the group of parts classified by function.

2 SECTION NAME

3 SECTION'S APPLICATION

The section's application is indicated in parentheses () below the section name when the affected illustration/text is applicable to specific model, certain period of the production, etc.

4 D-CODE (KEY NUMBER)

The D-code consisting of five or six digits serves as a "KEY NUMBER" to co-ordinate a drawing with its detail information in the text.

5 RELATIONSHIP BETWEEN ASSEMBLY AND ITS COMPONENTS

The relationship between an Assembly and its Components is illustrated only by drawing. The example shown left denotes that D-code 68420 includes D-codes, 68421A, 68422 and 68425 and standard part numbers, 998650516B, 999100503 and 997390414.

6 STANDARD PART NUMBER

Nine or ten-digit number which appears in the illustration is standard part number. The standard part number indicated in the illustration instead of D-code does not appear in the related text.

① SUPERSEDING PART NUMBER

When a part is changed and new part is interchangeable with the former part, the new part number as the superseding part is shown in parentheses right under the former (superseded) part number.

② NEW PART NUMBER IDENTIFICATION

An asterisk (*) denotes that the indicated part number has been added since the last microfiche edition (not the last paper edition).

The microfiche parts catalog is rerised more frequently than the paper one.

③ QUANTITY

This denotes the quantity of the part used under the indicated D-code within each section number.

④ MODEL APPLICATION

Model application for each part number is described in one through three languages out of four languages such as English, French, Spanish and German.

⑤ PART USAGE RESTRICTION

Part usage restriction is shown for factory installed option parts to indicate under what condition the part is installed.

This information is also described in one through three languages.

⑥ COLOR CODE OF PART NUMBER

For color keyed parts, two-digit color code(s) appear(s) right under its basic part number consisting of nine or ten digits. The complete part number for color keyed parts consists of the basic part number (9 or 10 digits) and the color code (2 digits).

⑦ INTERIOR or PAINT CODE FOR VEHICLE

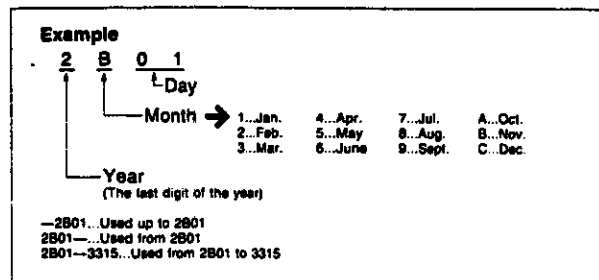
The applicable interior or paint code(s) for the vehicle is (are) indicated to each color code of part number.

⑧ COLOR DESCRIPTION OF PART

A color description of the part is indicated to each part's color code in one through three languages.

⑨ PART CHANGE DATE

When a part is added, changed or deleted, the effective date coded in four digits is shown as follows.



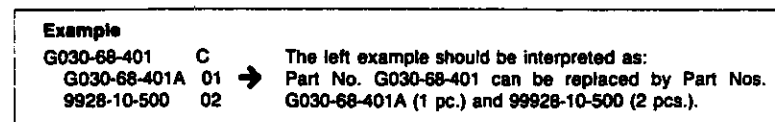
⑩ VIN NUMBER

The VIN number(s) related to the part change date is (are) shown in the footnote column, referring each date shown above.

⑪ MULTIPLE SUPERSESSION

Shown as the example is a multiple supersession identified by the interchangeability codes "C" and "CG": one part can be replaced by more than one part.

When the interchangeability codes "C" or "CG" appears in the text, a complete information on the multiple supersession will be shown in the footnote column of the same text.



HOW TO INTERPRET THE VIN APPLICATION

If the part change date appears as the example below:

| PART NO. | QT | MODEL/RESTRICTION | MODEL/RESTRICTION | MODEL/RESTRICTION | FROM-TO |
|----------------|--------|-------------------|-------------------|-------------------|-----------|
| 11-210 | | ROD, CONNECTING | BIELLE | BIELA | |
| ● E301-11-210 | 4 | 1100 1300 | 1100 1300 | 1100 1300 | -3801 |
| ● E301-11-210A | 4 | 1100 1300 | 1100 1300 | 1100 1300 | 3801-4215 |
| ● E301-11-210B | 4 | 1100 1300 | 1100 1300 | 1100 1300 | 4215- |
| <hr/> | | | | | |
| 3801 | BD1012 | 805912 | | | |
| | BD1032 | 824340 | | | |
| 4215 | BD1012 | 816750 | | | |
| | BD1032 | 830192 | | | |

it should be interpreted:

- ① Part No. E301-11-210 is applicable to 1100 cc, from the initial production through BD1012 805911 (= 805912 minus 1) and 1300 cc, from the initial production through BD1032 824339 (= 824340 minus 1).
- ② Part No. E301-11-210A is applicable to 1100 cc, from BD1012 805912 through BD1012 816749 (= 816750 minus 1) and 1300 cc, from BD1032 824340 through BD1032 830191 (= 830192 minus 1).
- ③ Part No. E301-11-210B is applicable to 1100 cc, from and after BD1012 816750 and 1300 cc, from and after BD1032 83192.

Notes:

The parts catalog often shows the catalog designation VIN instead of the actual VIN. For the correct interpretation for the catalog designation VIN, refer to explanation in "Vehicle Identification System" shown in the extreme right row of the last microfiche in the set.

HOW TO INTERPRET THE SUPERSESSION

If the supersession information appears as the example below:

| PART NO. | QT | MODEL/RESTRICTION |
|--|----|-------------------|
| 58-921 | | FASTENER |
| G030-68-401 | 22 | 1300 |
| A (G030-68-401A) | | 1500 |
| G030-68-401A | 22 | 1300 |
| | | 1500 |
| Model Application for Part No. G030-68-401 | | |
| Interchangeability Code | | |
| Superseding Part Number | | |
| Color Code | | |
| 68-420 | | TRIM (R) DOOR |
| GB06-68-420A | 1 | |
| 00 | | BA1 BLACK |
| A (GB06-68-420B00) | | |
| 10 | | BA2 RED |
| A (GB06-68-420B10) | | |
| GB06-68-420B | 1 | |
| 00 | | BA1 BLACK |
| 10 | | BA2 RED |
| Interchangeability Code | | |
| Superseding Part Number | | |

it should be interpreted:

- ① Part No. G030-68-401A can be used in place of part No. G030-68-401.
- ② Part No. GB06-68-420B00 can be used in place of part No. GB06-68-420A00.
- ③ Part No. GB06-68-420B10 can be used in place of part No. GB06-68-420A10.

HOW TO INTERPRET THE MODEL APPLICATION

If the model application and the usage restriction appear as the example below:



Watch the information in parentheses ()!!

3210 -1 STEERING COLUMN
(SEDAN)

| PART NO. | QT | MODEL/RESTRICTION | MODEL/RESTRICTION | MODEL/RESTRICTION |
|--------------|-----------------------|--|--|--|
| 32-071 | BUSH | | BUSELURE | BUJE |
| 8001-32-071 | 1 | | | |
| 32-100 | SHAFT, ENCY. ABSORBER | | COLONE TELESCOPIQUE | EJE, AMORTIGUAD |
| BA29-32-100A | 1 | (W/POWER STEERING) 1300 > MT 1500 > MT | (A/DIRECTION ASSISTEE) 1300 > B. V. MANU 1500 > B. V. MANU | (C/DIRCCION DE POTENCIA) 1300 > TM 1500 > TM |

it should be interpreted:

- ① Part No. 8001-32-071 is applicable to all the Sedans covered by this particular catalog.
- ② Part No. BA29-32-100A is applicable to Sedan 1300 Manual Trans. and Sedan 1500 Manual Trans in case they are equipped with the power steering.

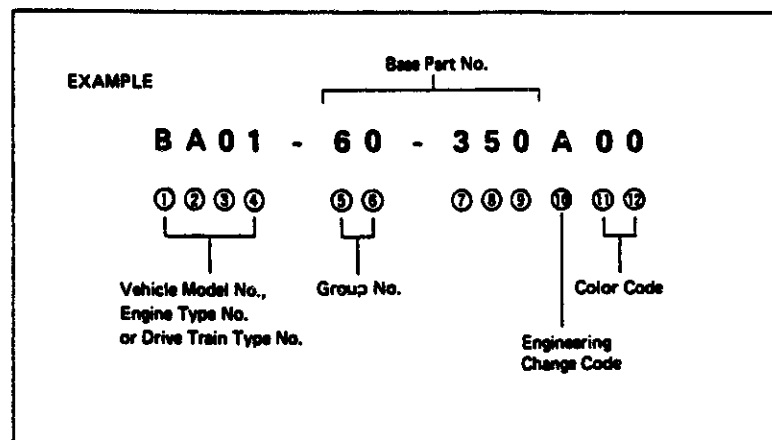
MAZDA PART NUMBERING SYSTEM

Mazda Part Numbers are generally classified into three categories:
General Service Parts & Accessories, Standard Parts and Special Tools.

Note: Mazda Part Number consists of numeric and alphabet letters. In order to avoid the confusion due to similar characters among number and alphabet, alphabet letters I and O are not used in the part number. However, these letters are rarely used in 10th digit of the part number as an exception.

MAZDA GENERAL SERVICE PARTS & MAZDA ACCESSORIES

These part numbers basically consist of nine or ten digits. The 10th digit (if applicable) identifies the engineering change of the part. The color keyed part, however, consists of twelve digits since two-digit color code are added to nine or ten-digit number to identify its color.



Note: In case the engineering change is not made to a part, the 10th digit of the part number is left blank even for the color coded part, e.g.,

BA01-60-350 00

└ Blank

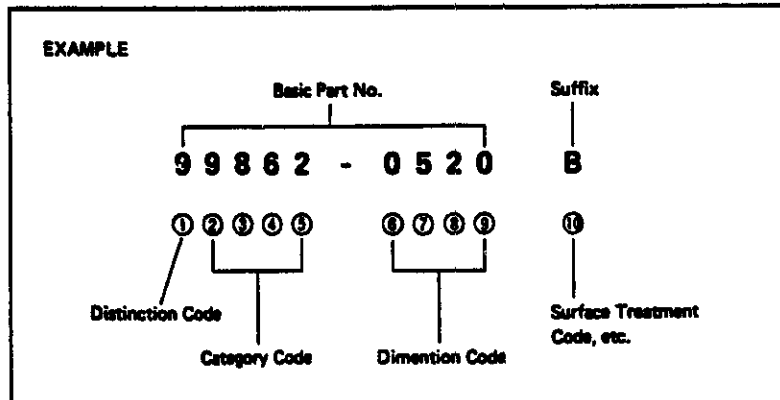
MAZDA STANDARD PARTS

The Parts standardized in form and dimension such as Bolts, Nuts, Washers, Hoses, Disc Wheels, etc. are called Mazda Standard Parts.

All Mazda Standard Part Numbers are identified by "9" in the first digit. The numbering structure of Standard Parts varies, depending upon the type of part.

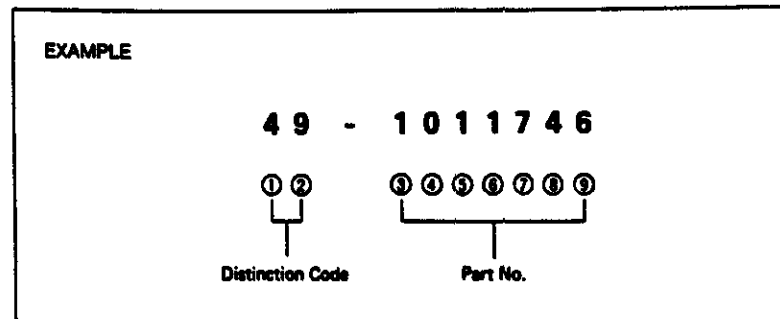
The following is just one example of Standard Part Number.

For further details and examples, refer to the wall chart, "LIST OF STANDARD PARTS".



MAZDA SPECIAL TOOLS

In order to repair Mazda Vehicles, several special tools are required. These are called Mazda Special Tools. Mazda Special Tools are identified by the Part Number starting with "49".



ABBREVIATION LIST

| ABBREV. | MAY REPLACE | ABRREV. | MAY REPLACE |
|----------|---------------------------|---------|------------------------------------|
| 1ST | First | CAL. | California |
| 2ND | Second | CASS. | Cassette |
| 3RD | Third | CAT. | Category |
| 4TH | Fourth | Cd | Coefficient Of Drag |
| 4 SPD | Four Speed | CD | Compact Disk |
| 4WS | Four Wheel Steering | C.G.R. | Constant Gear Ratio |
| 4WD, 4X4 | Four Wheel Drive | CHG. | Change |
| 5TH | Fifth | CHK. | Check |
| 5 SPD | Five Speed | CHMBR | Chamber |
| | | CHN. | Chain |
| AA. | Anti Afterburn | CIGAR. | Cigarette |
| A.A.S. | Auto Adjusting Suspension | Cl | Coefficient Of Lift |
| ABS | Anti Lock Braking System | CLPR | Caliper |
| A/C | Air Conditioning | CVTR. | Converter |
| A.C.C. | Automatic Cruise Control | COMB. | Combination |
| ACCEL. | Accelerator | COND. | Condenser |
| A.C.V. | Air Control Valve | COMP. | Compressor |
| A.E. | Acoustical Equalizer | CONV. | Convertible |
| ALUM | Aluminum | C/P | Cab Plus |
| ALL | Automatic Load Leveling | C.S.D. | Cold Start Device |
| ALT. | Altimeter | CSTG. | Coasting |
| AMP. | Amplifier | CTR. | Center |
| ANT. | Antenna | CTRL. | Control |
| APR. | April | CV | Constant Velocity |
| ASSY. | Assembly | CVR. | Cover |
| A/T | Automatic Transmission | CYL. | Cylinder |
| AUG. | August | | |
| AUTO. | Automatic | DASH. | Dashboard |
| | | Db | Decibels |
| BAL. | Balance | DEC. | December |
| BELT. | Beltline | DEF. | Defroster |
| BFGR | B. F. Goodrich | DIAPH | Diaphragm |
| BRDG | Bridgestone | DIFF. | Differential |
| BRG. | Bearing | DNLP | Dunlop |
| BRKT. | Bracket | DOHC | Double Overhead Camshaft |
| BRN. | Brown | DSL. | Diesel |
| BLK. | Black | DTSS | Dynamic Tracking Suspension System |
| BLU. | Blue | | Deluxe |
| BMPR. | Bumper | DX | |
| B.S.V. | Bleed Solenoid Valve | ECAT | Electronically Controlled A/T |
| BULL. | Bulletin | EGI | Electronic Gas Injection |
| BW | Black Wall | EGR | Exhaust Gas Recirculation |

ABBREVIATION LIST

| ABBREV. | MAY REPLACE | ABBREV. | MAY REPLACE |
|----------|----------------------------|---------|-----------------------------|
| ELEC. | Electric | INN. | Inner |
| ENG. | Engine | INT. | Interior |
| ETR | Electronically Tuned Radio | INTMT. | Intermittent |
| | | INJ. | Injector, Injected |
| EXC. | Except | I.R.S. | Independent Rear Suspension |
| EXH. | Exhaust | | |
| EXT. | Extension | JAN. | January |
| EQ | Equalizer | JUL. | July |
| | | JUN. | June |
| FEB. | February | | |
| FED. | Federal | KG | Kilogram |
| F.I. | Fuel Injection | KM | Kilometer |
| FLEX | Flexible | KW | Kilowatt |
| F/LID | Fuel Lid | | |
| FRT. | Front | (L), LT | Left |
| FRST | Firestone | L= | Length |
| FSTNR. | Fastener | LCD | Liquid Crystal Display |
| | | L/B | Long Bed |
| G | Gram | LH | Left Hand |
| GAS. | Gasoline | LPG | Liquid Petroleum Gas |
| GDYR | Goodyear | L.S.D. | Limited Slip Differential |
| GEN. | General | | |
| GOV. | Governor | LWR | Lower |
| GRN. | Green | LX | Luxury |
| GRY. | Gray | | |
| GSKT. | Gasket | M | Metallic |
| | | MAR. | March |
| H.A.C. | High Altitude Compensator | MC | Mica |
| HARN. | Harness | MCHN | Michelin |
| H/B | Hatchback | MLDG. | Moulding, Mould |
| HD. | Head | MM | Millimeter |
| H/DUTY | Heavy Duty | MNFLD. | Manifold |
| HDWE. | Hardware | MPX | Multiplex |
| HI. ALT. | High Altitude | MSTR. | Master |
| HSG. | House, Housing | M/T | Manual Transmission |
| HTR. | Heater | MTG. | Mounting |
| | | MTR | Manually Tuned Radio |
| IC | Integrated Circuit | | |
| ID | Inside Diameter | N= | Number Of Teeth |
| IGN. | Ignition | N/A | Not Available |
| ILLUM. | Illumination, Illuminated | N/B | Notchback |
| | | NO. | Number |
| INCL | Includes | NORM. | Normal |
| IND | Indicator | NOV. | November |
| INFO. | Information | | |
| INST. | Instrument | | |

ABBREVIATION LIST

| ABBREV. | MAY REPLACE | ABBREV. | MAY REPLACE |
|---------|--------------------------------|-----------|-------------------------------|
| OCT. | October | SPEC. | Specification |
| OD | Outer Diameter | SPEEDO. | Speedometer |
| O/DRIVE | Overdrive | SPG. | Spring |
| OHC | Overhead Camshaft | SPKR. | Speaker |
| OPT. | Optional | SPRKT. | Sprocket |
| O.S. | Oversize | SRS | Supplemental Restraint System |
| OUT. | Outer | STAB. | Stabilizer |
| PANSC | Panasonic | STD. | Standard |
| PARK. | Parking | STRG. | Steering |
| PB | Parking Brake | S/ROOF | Sunroof |
| PCV | Positive Crankcase Ventilation | SUSP. | Suspension |
| PIN. | Pinion | S/W | Station Wagon |
| PKG | Package | SW. | Switch |
| PLR | Pillar | SYNC. | Synchronizer |
| PROD. | Production | T- | Thickness |
| P/S | Power Steering | TEMP. | Temperature |
| P/TRIM | Pillar Trim | THERMO. | Thermostat |
| PTH | Phillips Truss Head | TMG. | Timing |
| PWR. | Power | T/MISSION | Transmission |
| QTR. | Quarter | TRK. | Truck |
| QTY. | Quantity | T/LID | Trunk Lid |
| (R), RT | Right | T/S | Touring Sedan |
| RH | Right Hand | TTL | Twin Trapezoidal Links |
| RAD. | Radiator | TURBO | Turbocharged |
| REINF. | Reinforcement | UP. | Upper |
| REG. | Regular | U.S. | Undersize |
| REGUL. | Regulator | VAC. | Vacuum |
| REL. | Release | V.G.R. | Variable Gear Ratio |
| REM. | Remote | VPV | Variable Port Valve |
| RET. | Return | VNL. | Vinyl |
| REV. | Reverse | W- | Width |
| RR. | Rear | W/ | With |
| RWL | Raised White Letters | W/P | Water Pump |
| S/B | Short Bed | WGN. | Wagon |
| S/ROD | Shift Rod | WHL. | Wheel |
| S/S | Supercession | W/O | Without |
| SDN. | Sedan | WHT. | White |
| SEP. | September | W/SHIELD | Wind Shield, Screen |
| SERV. | Service | WTR. | Wind Screen |
| SLND. | Solenoid | W/W | Water |
| SOHC | Single Overhead | | White Walls |

MAZDA

1986-88 RX-7 ACCESSORIES

AERO

0000-86-325 - Wing Spoiler
F061-V4-920 -0F - Factory Spoiler

AIR CONDITIONER

Refer to Accy. Bulletin KA-1 for Air Conditioner information.

ALARM

0000-88-1901 - Electronic Shock Sensor
Refer to Accy. Bulletin XG-6 for Alarm information.

ARM REST

Refer to Accy. Bulletin XN-1 for replacement parts.

BATTERY

0000-80-126F
Refer to Accy. Bulletin XG-4 for Battery information.

BLOCK HEATER

0000-88-6600
Refer to Accy. Bulletin XG-5 for installation information.

CAR COVER

0000-88-092A - Evolution 3 Blue
0000-88-090 -LK - Lock Kit
Refer to Accy. Bulletin XG-8 for more Car Cover information.

CARGO COVER

FB01-V1-350 -1F - Red
FB01-V1-350 -5F - Blue
FB01-V1-350 -7F - Grey

CIGARETTE LIGHTERS

B001-66-252

CRUISE CONTROL

8AF1-66-340 - Coupe
8AF2-66-340 - Convertible
Refer to Accy. Bulletin XG-7 for more Cruise Control information.

DOOR EDGE GUARDS

0000-88-3199-BK - Black Universal Type

FLOOR MATS

0000-88-7688-05 - Gray Plush Mat
0000-88-7688-11 - Wine Plush Mat
0000-88-7688-50 - Blue Plush Mat
0000-88-7688-TA - 10th Anniversary Edition Mat

FOG LIGHTS

0000-88-500A-R6 - Clear Complete Kit
Refer to Accy. Bulletin XE-4 for Fog Light parts information.

FRONT MASK

0000-88-0588 - GTU, w/o Air Dam

MUD GUARDS

F045-V3-350 -0F - Front Set
F045-V3-351 -0F - Front Left
F045-V3-352 -0F - Front Right
F045-V3-360 -0F - Rear Set
F045-V3-361 -0F - Rear Left
F045-V3-362 -0F - Rear Right

PAINT

Refer to Accy. Bulletin XE-2 for Touch-Up Paint information.

RACKS

0000-88-1077 - Piper Ski Rack
0000-88-1067 - Sport Rack
0000-88-1200 - Ski Attachment
0000-88-1300 - Bike Attachment
0000-88-1400 - Sail/Surf Attachment
0000-88-1500 - Luggage Attachment

STEREO EQUIPMENT

Refer to Accy. Bulletins XS-1, XS-2, and XS-3 for Audio information.

SUNROOF WIND DEFLECTOR

0000-86-3007

TIRES

Refer to Accy. Bulletins XE-1 for Tire information.

WHEEL LOCKS

0000-88-120C - Wheel Lock Set
0000-88-120C-BP - Lock Blister Pack
Refer to Accy. Bulletin XE-5 for more Wheel Lock information.

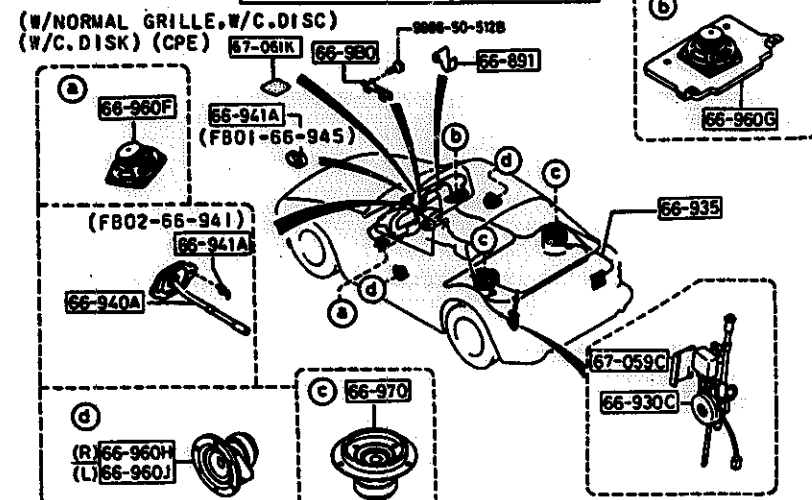
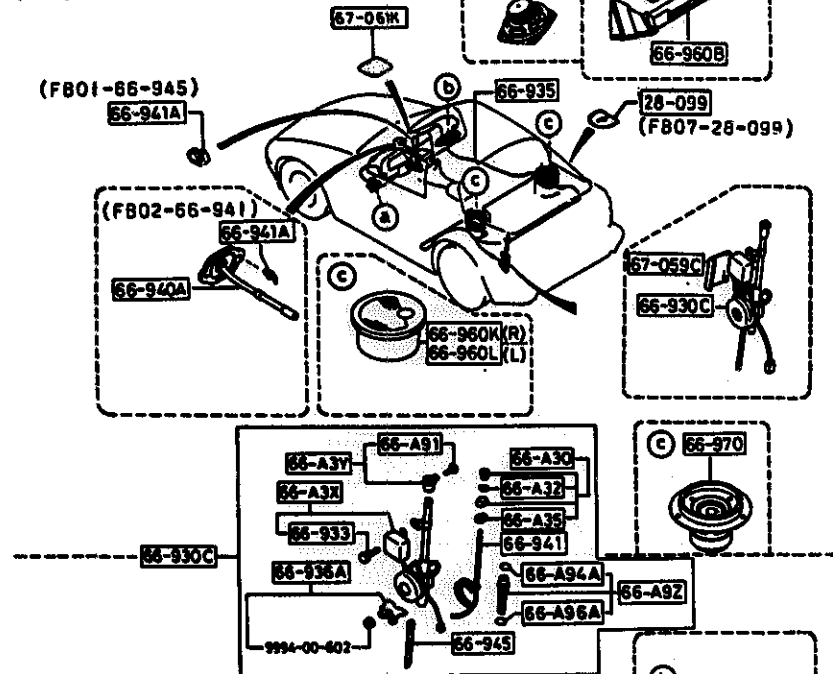
SECTION INDEX -- BODY

| STARTING LOCATION | SECT. NO. | SECTION NAME | STARTING LOCATION | SECT. NO. | SECTION NAME | STARTING LOCATION | SECT. NO. | SECTION NAME |
|-------------------|-----------|---|-------------------|-----------|--------------------------------------|-------------------|-----------|--------------|
| 3 - C 3 | 6682 | AUDIO SYSTEMS (ANTENNA & SPEAKER) | 3 - E 6 | 6860AB | FLOOR MATS & PADS (CONVERTIBLE) | | | |
| 3 - F 3 | 6684 | AUDIO SYSTEMS (NOISE SUPPRESSOR & GROUND CORD) | 3 - G 6 | 6865A | TRIM CLIPS & FASTENERS (COUPE) | | | |
| 3 - G 3 | 6700 | WIRING HARNESSSES (FRONT & REAR) (COUPE) (W/O ANTI-LOCK BRAKE SYSTEM) | 3 - H 6 | 6865AA | TRIM CLIPS & FASTENERS (CONVERTIBLE) | | | |
| 3 - H 3 | 6700A | WIRING HARNESSSES (FRONT & REAR) (COUPE) (ANTI-LOCK BRAKE SYSTEM) | 3 - J 6 | 6870 | SERVICE TOOLS | | | |
| 3 - I 3 | 6700B | WIRING HARNESSSES (FRONT & REAR) (CONVERTIBLE) | 3 - C 7 | 6900A | VISORS, ASSIST HANDLES & MIRRORS | | | |
| 3 - J 3 | 6701 | WIRING HARNESSSES (ENGINE & T/MISSION) (COUPE) (W/O ANTI-LOCK BRAKE SYSTEM) | 3 - H 7 | 6930 | CAUTION PLATES & LABELS | | | |
| 3 - K 3 | 6701A | WIRING HARNESSSES (ENGINE & T/MISSION) (COUPE) (ANTI-LOCK BRAKE SYSTEM) | 3 - J 7 | 7250 | QUARTER WINDOW & TRIMS | | | |
| 3 - L 3 | 6701B | WIRING HARNESSSES (ENGINE & T/MISSION) (CONVERTIBLE) | 3 - K 7 | 7800 | SPOILERS & RELATED PARTS | | | |
| 3 - M 3 | 6702 | WIRING HARNESSSES (DASHBOARD) (COUPE) (W/O ANTI-LOCK BRAKE SYSTEM) | 3 - L 7 | 7900 | ACCESSORIES-CONSOLE LID | | | |
| 3 - N 3 | 6702A | WIRING HARNESSSES (DASHBOARD) (COUPE) (ANTI-LOCK BRAKE SYSTEM) | | | | | | |
| 3 - C 4 | 6702B | WIRING HARNESSSES (DASHBOARD) (CONVERTIBLE) | | | | | | |
| 3 - D 4 | 6703 | WIRING HARNESSSES (DOOR, FLOOR/CEILING) | | | | | | |
| 3 - E 4 | 6704 | WIRING HARNESS CLAMPS | | | | | | |
| 3 - G 4 | 6720 | WINDSHIELD WASHER | | | | | | |
| 3 - I 4 | 6730 | WINDSHIELD WIPERS | | | | | | |
| 3 - J 4 | 6740 | WIPER MOTOR COMPONENTS (FRONT) | | | | | | |
| 3 - K 4 | 6750 | WINDOW WIPER & WASHER (REAR) (COUPE) | | | | | | |
| 3 - L 4 | 6760 | WINDOW WIPER MOTOR COMPONENTS (REAR) (COUPE) | | | | | | |
| 3 - M 4 | 6800A | CEILING TRIMS (COUPE) | | | | | | |
| 3 - N 4 | 6800AB | CEILING TRIMS (CONVERTIBLE) | | | | | | |
| 3 - C 5 | 6810 | ROLLBAR (CONVERTIBLE) | | | | | | |
| 3 - D 5 | 6820A | PILLAR TRIMS (COUPE) | | | | | | |
| 3 - E 5 | 6820AA | PILLAR TRIMS (CONVERTIBLE) | | | | | | |
| 3 - F 5 | 6840A | TRIMS & SCUFF PLATES (COUPE) | | | | | | |
| 3 - J 5 | 6840AB | TRIMS & SCUFF PLATES (CONVERTIBLE) | | | | | | |
| 3 - K 5 | 6845 | STORAGE BOX (2-SEATER) | | | | | | |
| 3 - L 5 | 6860A | FLOOR MATS & PADS (COUPE) (W/O TURBO) | | | | | | |
| 3 - C 6 | 6860AA | FLOOR MATS & PADS (COUPE) (TURBO) | | | | | | |

6682-1 AUDIO SYSTEMS (ANTENNA & SPEAKER)

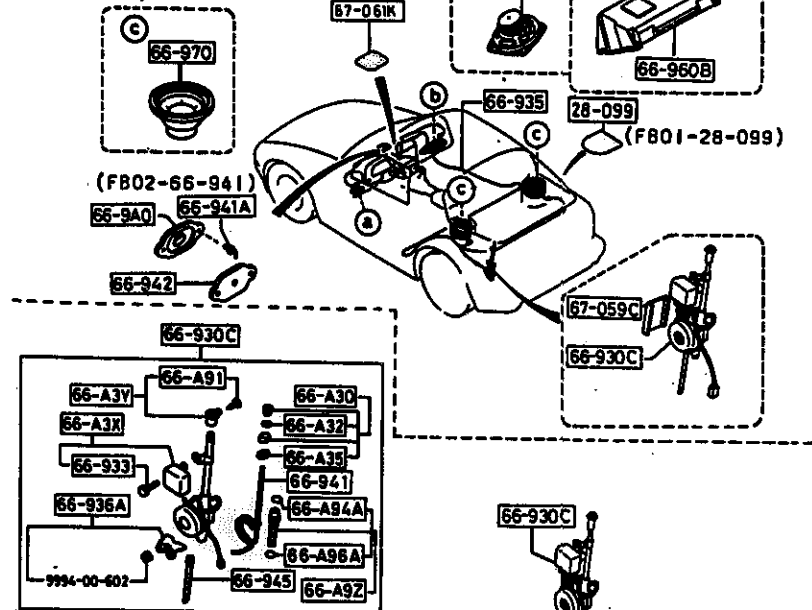
(W/DECK,NORMAL GRILLE,W/O C.DISC)
 (W/FIN T. GRILLE,W/O C.DISC)
 (W/RADIO)
 (CPE)

(THIS ILLUSTRATION CONSISTS OF 2 PAGES)

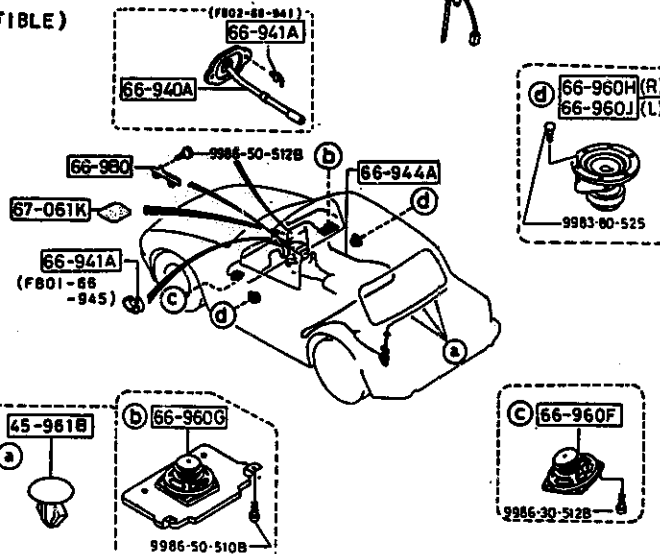


(W/NORMAL GRILLE,W/O C.DISC)
 (W/O DECK,W/NORMAL GRILLE)
 (W/RADIO)(W/O DECK)
 (CPE)

(THIS ILLUSTRATION CONSISTS OF 2 PAGES)



(CONVERTIBLE)



6682-2

AUDIO SYSTEMS (ANTENNA & SPEAKER)

| ITEM NO. | D-CODE | DESCRIPTION | PART NO. | QTY | MODEL/DESCRIPTION | REMARKS |
|----------|--------|---------------------------------|-----------------|-----|---|-----------|
| 28 099 | | PAD, REAR SUSPENSION | FB01-28-099 | 2 | W/O C.D. W/ NORMAL GRILLE | 5818-5901 |
| | | | | 4 | W/O C.D. W/ NORMAL GRILLE | 5901- |
| | | | FB07-28-099 | 1 | W/O C.D. W/ FINE GRILLE | 5818-5901 |
| | | | | 2 | W/O C.D. W/ FINE GRILLE | 5901- |
| 45 961B | | CAP | H002-45-961 | 3 | CONV. | |
| 66 891 | | CLIP | FB12-66-9B0 | 1 | W/ C.D. | -5A25 |
| | | | | 2 | W/ C.D. | 5A25-6B01 |
| 66 930C | | ANTENNA, MOTOR-RADIO | 0000-81-9301 | 1 | CONV. | |
| | | | 0000-81-930A | 1 | COUPE | |
| 66 933 | | SCREW, ANTENNA | FB01-66-A92 | 1 | | |
| 66 935 | | FEEDER-ANTENNA | FB67-66-940B | 1 | CONV. W/O C.D. | |
| | | | FB68-66-940B | 1 | CONV. W/ C.D. | |
| | | | FB12-66-940A | 1 | COUPE W/O C.D. | |
| | | | FB11-66-940B | 1 | COUPE W/ C.D. | |
| 66 936A | | BRACKET, MOTOR-ANTENNA | FB01-66-A9X | 1 | | |
| 66 940A | | FEEDER & COVER | FB02-66-940B | 1 | | |
| 66 941 | | POLE, ANTENNA | 0000-66-A901 | 1 | | |
| 66 941A | | CLIP | FB02-66-941 | 2 | | |
| | | | FB01-66-945 | 1 | | |
| 66 942 | | COVER, SOUND PROOF | FB02-66-942A | 1 | W/O CASS. | |
| 66 945 | | PIPE | FB01-66-A9Y | 1 | | |
| 66 960 | | SPEAKER, LOUD-FRONT | 0000-81-56SP-01 | 1 | W/ RADIO | |
| 66 960B | | SPEAKER, BOX & AMPLIFIER | 0000-81-56BX-01 | 1 | W/ RADIO | |
| 66 960F | | SPEAKER (R), LOUD-FRONT | 0000-81-1022 | 1 | W/ C.D. | |
| 66 960G | | SPEAKER (L), LOUD-FRONT | 0000-81-1023 | 1 | W/ C.D. | |
| 66 960H | | SPEAKER (R), LOUD-DOOR | 0000-81-6021 | 1 | W/ C.D. | |
| 66 960J | | SPEAKER (L), LOUD DOOR | 0000-81-6022 | 1 | W/ C.D. | |
| 66 960K | | SPEAKER (R), LOUD-RR. | 0000-81-5612-01 | 1 | W/O C.D. | |
| 66 960L | | SPEAKER (L), W/ BOX & AMPLIFIER | 0000-81-5613-01 | 1 | W/O C.D. | |
| 66 970 | | SPEAKER, LOUD-REAR | 0000-81-5217-01 | 2 | W/O CASS. W/ NORM. GRILLE | |
| | | | 0000-81-1024 | 2 | W/ C.D. W/ NORM. GRILLE | |
| | | | 0000-81-5622-01 | 2 | W/ CASS. W/ NORM. GRILLE W/O C.D. | |
| 66 9A0 | | COVER, FEEDER-ANTENNA | FB01-66-9A0A | 1 | W/O CASS. | |
| 5818 | FC33* | -100109 | | | | |
| 5901 | FC33* | -102044 | | | | |
| 5A25 | FC33* | -112370 | | | | |
| 6B01 | FC33* | -507386 | | | | |

SEE ILLUSTRATION/S AT FRAME 3 - C 3

6682-3

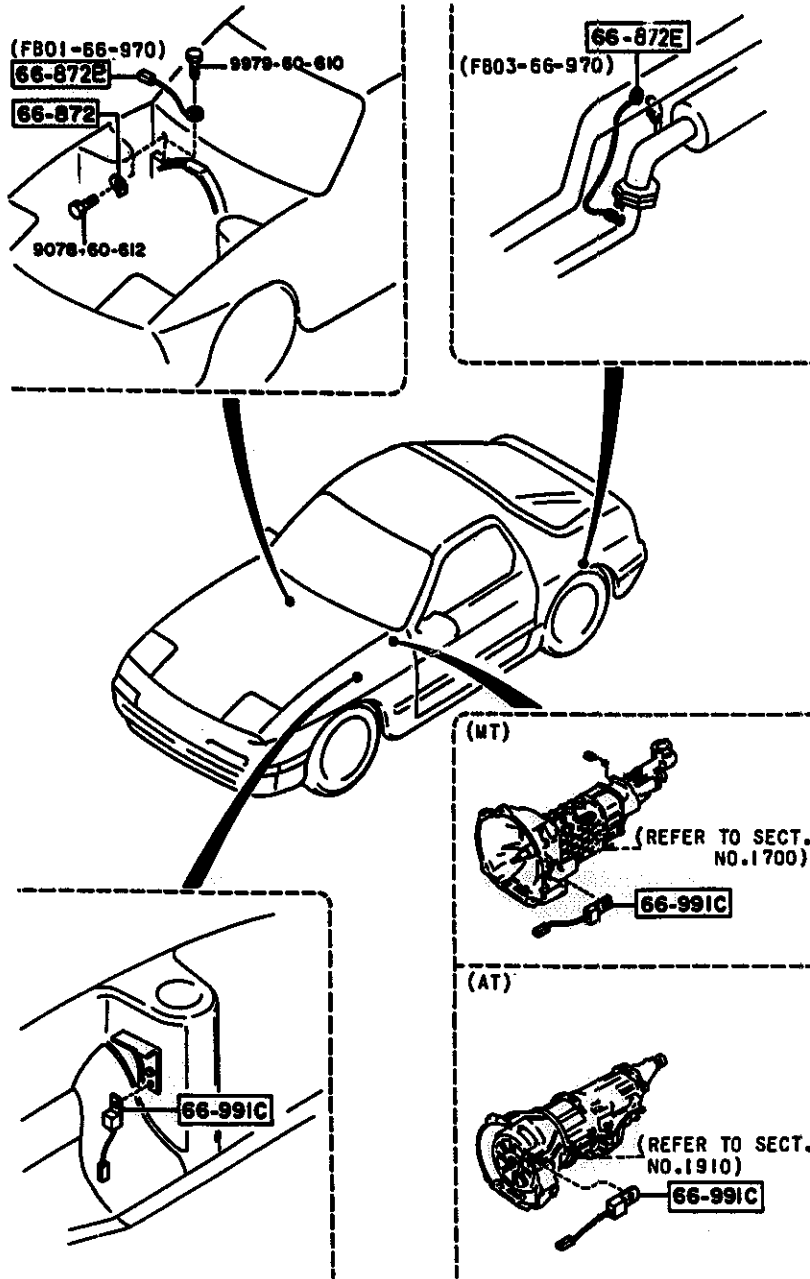
AUDIO SYSTEMS (ANTENNA & SPEAKER)

| ITEM NO. | D-CODE | DESCRIPTION | PART NO. | QTY | MODEL/DESCRIPTION | REMARKS |
|----------|--------|----------------------------|-------------|-----|-------------------|---------|
| 66 980 | | BRACKET, CORD-AUDIO | FB11-66-980 | 1 | W/ C.D. | -6801 |
| 66 A30 | | NUT, MOUNTING-ANTENNA | FB01-66-A30 | 1 | COUPE | |
| | | | FB67-66-A30 | 1 | CONV. | |
| 66 A32 | | O-RING, MOUNTING-ANTENNA | FB01-66-A32 | 1 | | |
| 66 A35 | | PAD, MOUNTING-ANTENNA | FB01-66-A35 | 1 | COUPE | |
| | | | FB67-66-A35 | 1 | CONV. | |
| 66 A3X | | RELAY, MOTOR-ANTENNA | FB01-66-A3X | 1 | COUPE | |
| | | | HE02-66-A3X | 1 | CONV. | |
| 66 A3Y | | PLATE, EARTH-MOTOR ANTENNA | FB01-66-A3Y | 1 | COUPE | |
| | | | FB67-66-A3Y | 1 | CONV. | |
| 66 A91 | | SCREW, EARTH PLATE-ANTENNA | FB01-66-A91 | 1 | | |
| 67 059C | | PAD, PROTECTOR | G001-67-059 | 1 | COUPE | |
| 67 061K | | PAD, PROTECTOR | G001-67-061 | 1 | | |
| 6801 | FC33* | -507386 | | | | |

SEE ILLUSTRATION/S AT FRAME 3 - C 3

6684-1

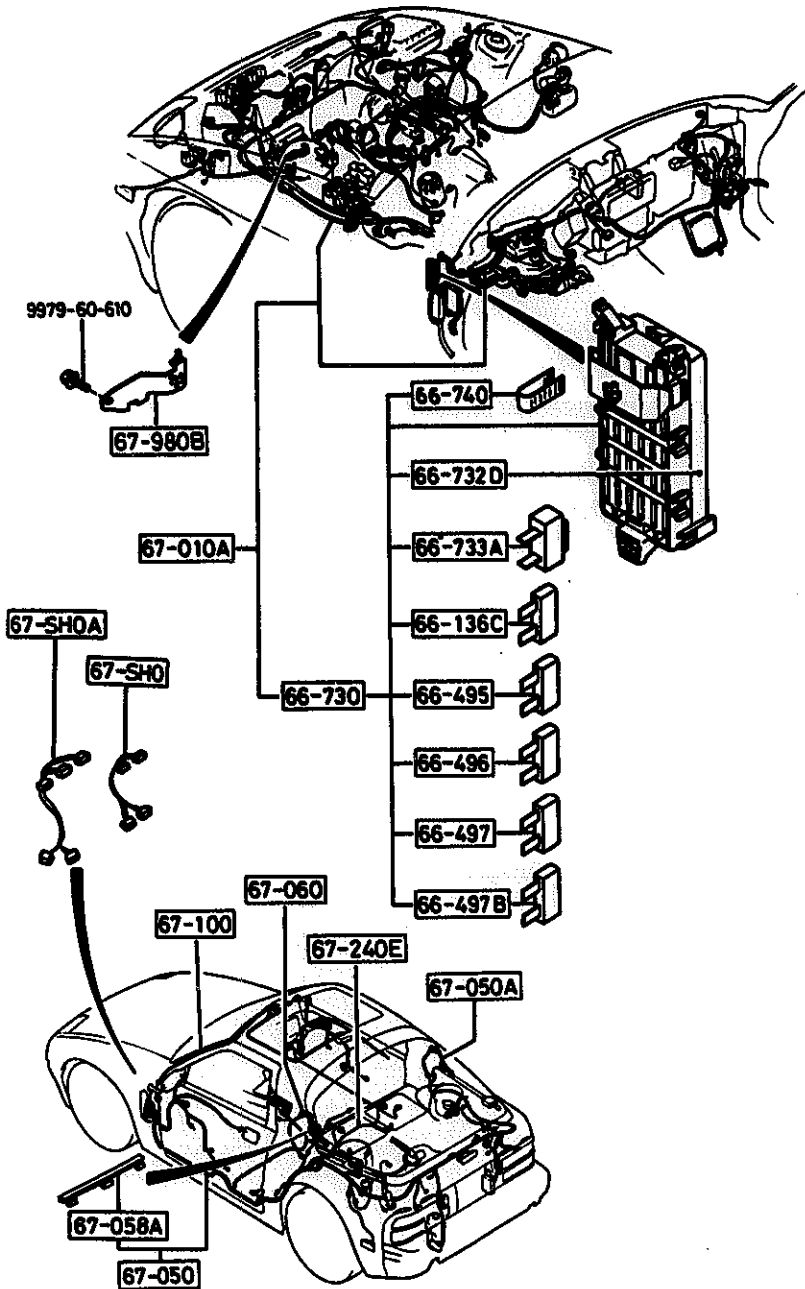
AUDIO SYSTEMS (NOISE SUPPRESSOR & GROUND CORD)



| ITEM NO. | D-CODE | DESCRIPTION | PART NO. | QTY | MODEL/DESCRIPTION | REMARKS |
|----------|--------|--------------|--------------|-----|-------------------------------|---------|
| 66 872 | | TAB, EARTH | FB01-66-994A | 1 | | |
| 66 872E | | CORD, GROUND | FB01-66-970 | 1 | T/MISSION CASE - DASHBOARD | |
| | | | FB03-66-970 | 1 | EXHAUST PIPE - BODY | |
| 66 991C | | CONDENSER | FB01-66-991B | 2 | | |

6700-1

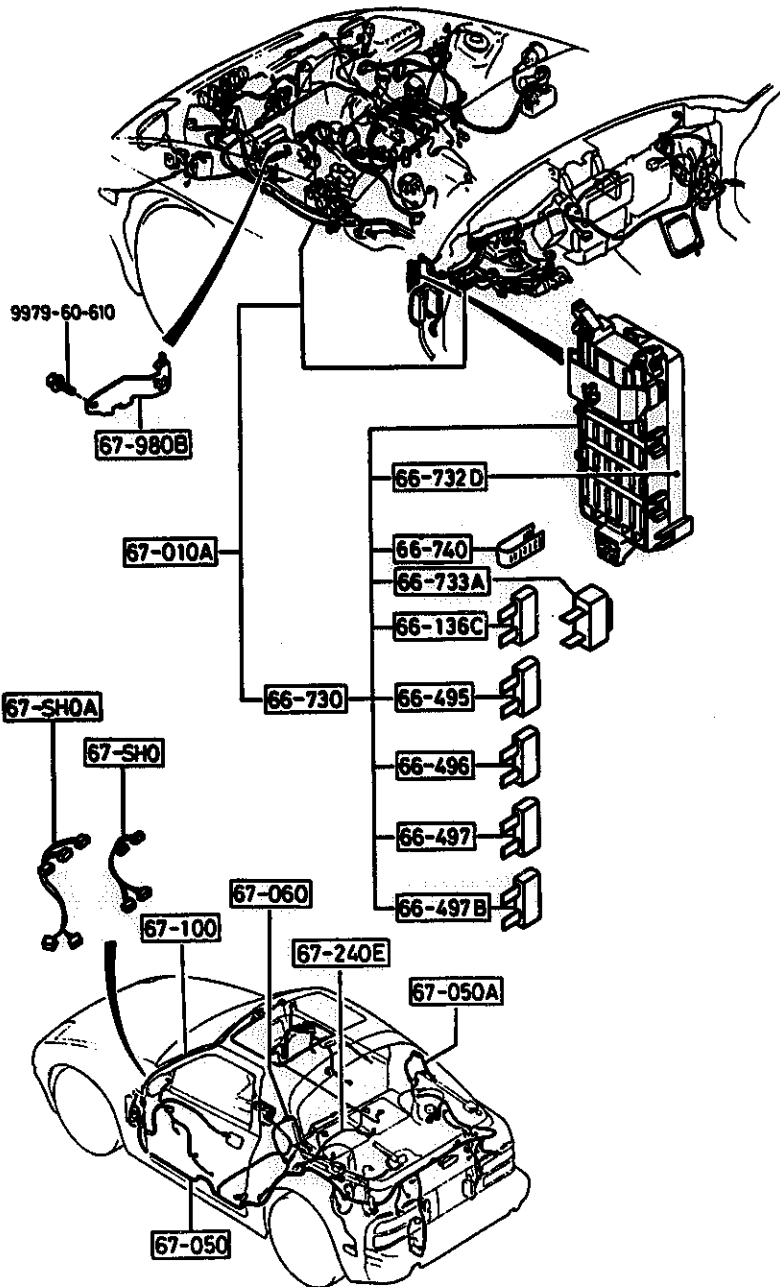
WIRING HARNESSSES (FRONT & REAR)
(COUPE) (W/O ANTI-LOCK BRAKE SYSTEM)



| ITEM NO. | D-CODE | DESCRIPTION | PART NO. | QTY | MODEL/DESCRIPTION | REMARKS |
|----------|--------|-------------------------|--------------|-----|---------------------------------|-----------|
| 66 136C | | FUSE (7.5A) | 9970-51-107 | 2 | | |
| 66 495 | | FUSE (10A) | 9970-51-110 | 6 | | |
| 66 496 | | FUSE (15A) | 9970-51-115 | 7 | | -6625 |
| | | | | 8 | | 6625- |
| 66 497 | | FUSE (20A) | 99705-1120 | 3 | | |
| 66 497B | | FUSE (30A) | 9970-51-130 | 1 | | |
| 66 730 | | BLOCK, FUSE | FB01-66-730A | 1 | | |
| 66 732D | | COVER, FUSE BLOCK | FB01-66-731 | 1 | | |
| 66 733A | | BREAKER | H001-66-733 | 2 | | |
| 66 740 | | HOLDER, FUSE | H001-66-739 | 1 | | |
| 67 010A | | HARNESS, FRONT | FB02-67-010S | 1 | W/O P/S | -6601 |
| | | | FB02-67-010X | 1 | W/O P/S | 6601-7101 |
| | | | FB12-67-010A | 1 | W/O P/S A/T | 7101- |
| | | | FB01-67-010T | 1 | FOR P/S | -6601 |
| | | | FB01-67-010Y | 1 | W/ P/S | 6601-7101 |
| | | | FB08-67-010 | 1 | W/ P/S A/T | 7101- |
| | | | FB11-67-010A | 1 | W/ P/S M/T | 7101-7301 |
| | | | FB07-67-010A | 1 | M/T | 7301- |
| | | | FB11-67-010B | 1 | W/ P/S M/T | 7301- |
| | | | FB44-67-010C | 1 | TURBO | -6601 |
| | | | FB44-67-010H | 1 | TURBO | 6601- |
| 67 050 | | HARNESS, REAR | FB01-67-050P | 1 | GXL, TURBO FOR RR. WIPER | |
| | | | FB02-67-050M | 1 | STD., SPT., SE W/O RR. WIPER | |
| 67 050A | | HARNESS NO. 1, REAR | FB02-67-060B | 1 | | |
| 67 058A | | PROTECTOR | FB02-67-058B | 2 | | |
| 67 060 | | HARNESS NO. 2, REAR | FB01-67-060B | 1 | | |
| 67 100 | | HARNESS, INTERIOR LAMP | FB01-67-100B | 1 | W/O SUNROOF | -7501 |
| | | | FB01-67-100C | 1 | W/O SUNROOF | 7501- |
| | | | FB03-67-100B | 1 | W/ SUNROOF | -7501 |
| | | | FB03-67-100C | 1 | W/ SUNROOF | 7501- |
| 67 240E | | WIRING, STORAGE | FB01-67-240A | 1 | | |
| 67 980B | | BRACKET, MAIN FUSE CASE | FB01-67-980E | 1 | | |

| | | |
|------|-------|---------|
| 6601 | FC33* | -152302 |
| 6625 | FC33* | -157816 |
| 7101 | FC33* | -528625 |
| 7301 | FC33* | -537230 |
| 7501 | FC33* | -547831 |

**6700A-1 WIRING HARNESSES (FRONT & REAR)
(COUPE) (ANTI-LOCK BRAKE SYSTEM)**

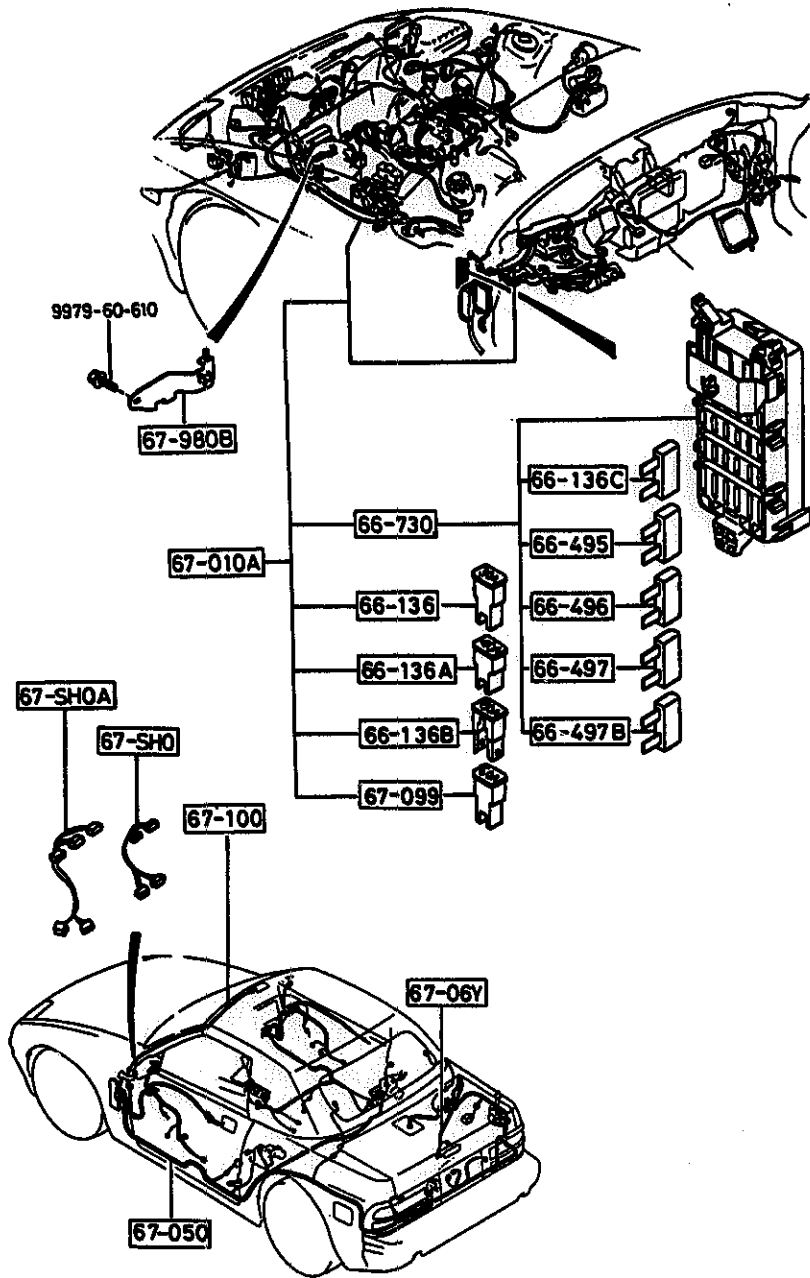


| ITEM NO. | D-CODE | DESCRIPTION | PART NO. | QTY | MODEL/DESCRIPTION | REMARKS |
|----------|--------|-------------------------|--------------|-----|-------------------|---------|
| 66 136C | | FUSE (7.5A) | 9970-51-107 | 2 | | |
| 66 495 | | FUSE (10A) | 9970-51-110 | 6 | | |
| 66 496 | | FUSE (15A) | 9970-51-115 | 8 | | |
| 66 497 | | FUSE (20A) | 9970-51-120 | 3 | | |
| 66 497B | | FUSE (30A) | 9970-51-130 | 1 | | |
| 66 730 | | BLOCK, FUSE | FB01-66-730A | 1 | | |
| 66 732D | | COVER, FUSE BLOCK | FB01-66-731 | 1 | | |
| 66 733A | | BREAKER | H001-66-733 | 2 | | |
| 66 740 | | HOLDER, FUSE | H001-66-739 | 1 | | |
| 67 010A | | HARNESS, FRONT | FB55-67-010H | 1 | W/O TURBO | |
| | | | FB60-67-010H | 1 | TURBO | |
| 67 050 | | HARNESS, REAR | FB55-67-050C | 1 | | |
| 67 050A | | HARNESS NO. 1, REAR | FB02-67-060B | 1 | | |
| 67 060 | | HARNESS NO. 2, REAR | FB01-67-060B | 1 | | |
| 67 100 | | HARNESS, INTERIOR LAMP | FB01-67-100B | 1 | W/O SUNROOF | -7501 |
| | | | FB01-67-100C | 1 | W/O SUNROOF | 7501- |
| | | | FB03-67-100B | 1 | W/ SUNROOF | -7501 |
| | | | FB03-67-100C | 1 | W/ SUNROOF | 7501- |
| 67 240E | | WIRING, STORAGE | FB01-67-240A | 1 | | |
| 67 980B | | BRACKET, MAIN FUSE CASE | FB01-67-980E | 1 | | |

7501 FC33* -547831

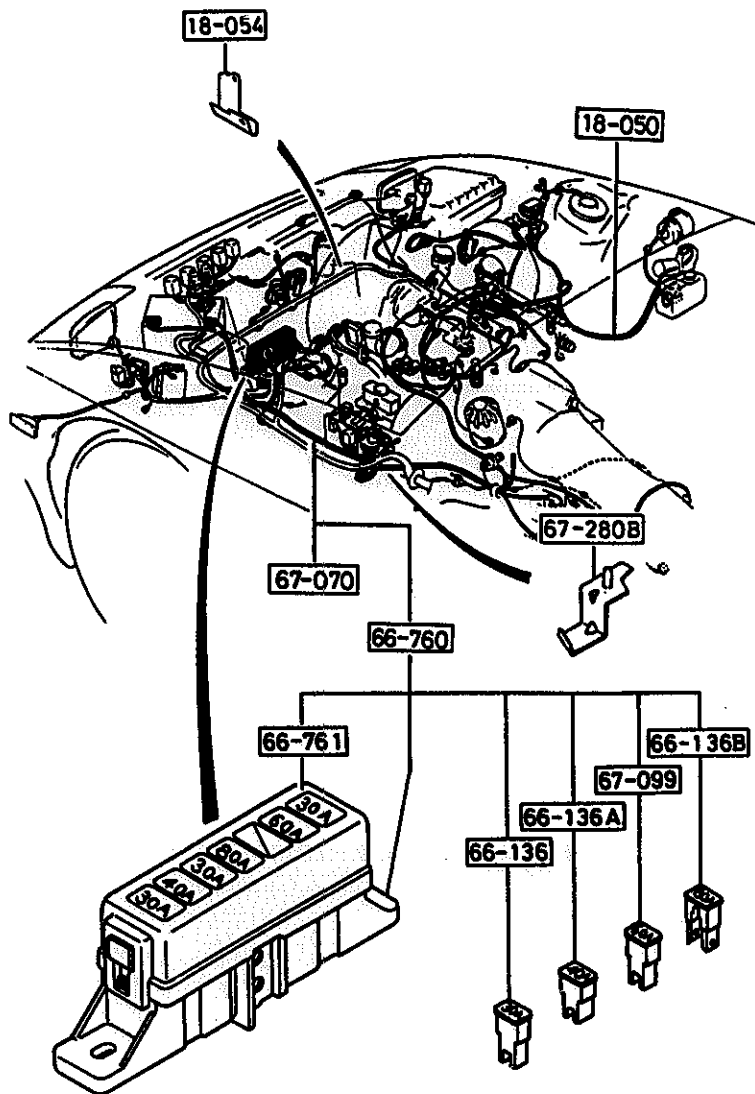
6700B-1

WIRING HARNESSSES (FRONT & REAR)
(CONVERTIBLE)



| ITEM NO. | D-CODE | DESCRIPTION | PART NO. | QTY | MODEL/DESCRIPTION | REMARKS |
|----------|--------|-------------------------|--------------|-----|-------------------|---------|
| 66 136 | | FUSE (30A) | H115-67-099 | 2 | | |
| 66 136A | | FUSE (40A) | H116-67-099 | 3 | | |
| 66 136B | | FUSE (80A) | H117-67-099 | 1 | | |
| 66 730 | | BLOCK, FUSE | FB67-66-730 | 1 | | |
| 67 010A | | HARNESS, FRONT | FB67-67-010G | 1 | | |
| 67 050 | | HARNESS, REAR | FB67-67-050M | 1 | | |
| 67 06Y | | HARNESS NO. 3, REAR | FO55-67-06YB | 1 | | |
| 67 099 | | LINK, FUSIBLE | FB01-67-099 | 1 | 60A | |
| 67 100 | | HARNESS, INTERIOR LAMP | FB67-67-100B | 1 | | |
| 67 980B | | BRACKET, MAIN FUSE CASE | FB01-67-980E | 1 | | |

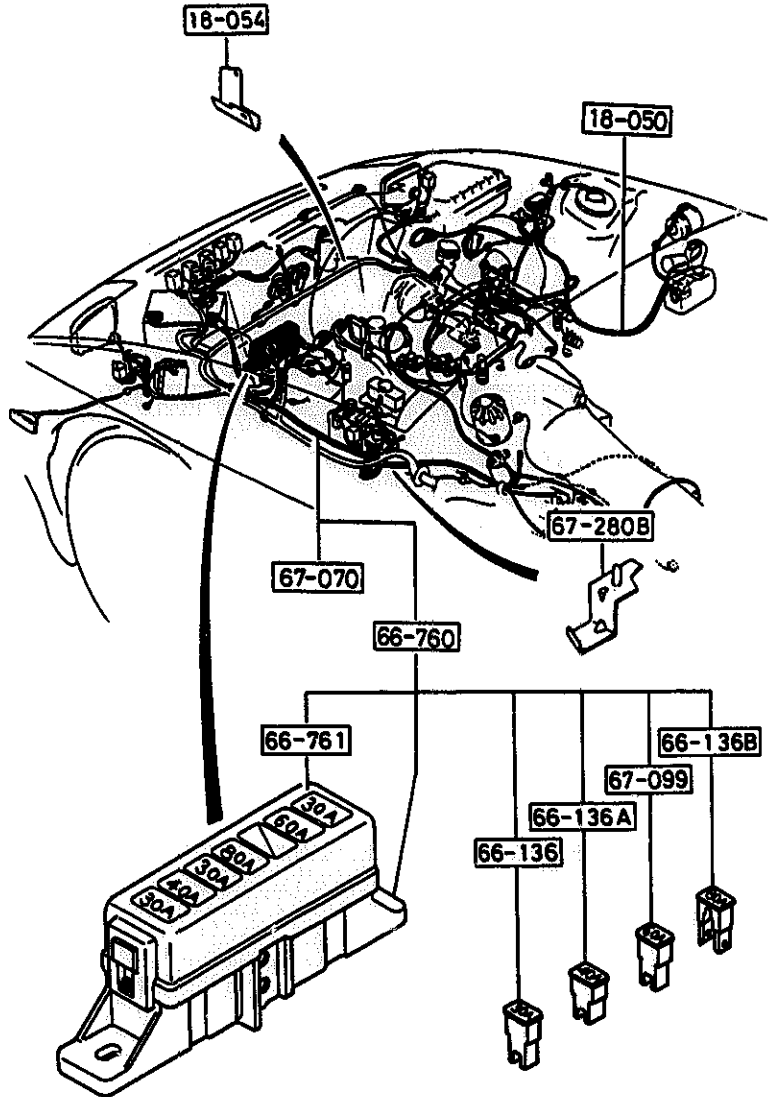
**6701A-1 WIRING HARNESSSES (ENGINE & T/MISSION)
(COUPE) (ANTI-LOCK BRAKE SYSTEM)**



| ITEM NO. | D-CODE | DESCRIPTION | PART NO. | QTY | MODEL/DESCRIPTION | REMARKS |
|----------|--------|-----------------------------|--------------|-----|--------------------|---------|
| 18 050 | | WIRING, ENGINE | N326-18-051L | 1 | W/O TURBO | -7601 |
| | | | N326-18-051M | 1 | W/O TURBO | 7601- |
| | | | N332-18-051K | 1 | TURBO | -7601 |
| | | | N332-18-051L | 1 | TURBO | 7601- |
| 18 054 | | BRACKET, HOLE-ENGINE WIRING | N318-18-054 | 1 | TURBO | |
| | | | N326-18-054 | 1 | W/O TURBO | |
| 66 136 | | FUSE (30A) | H115-67-099 | 3 | | |
| 66 136A | | FUSE (40A) | H116-67-099 | 1 | | |
| 66 136B | | FUSE (80A) | H117-67-099 | 1 | | |
| 66 760 | | BLOCK, MAIN FUSE | F044-66-760 | 1 | | |
| 66 761 | | COVER, MAIN FUSE BLOCK | F044-66-762 | 1 | W/O TURBO | 6701- |
| | | | | | TURBO, W/O SUNROOF | |
| | | | | | TURBO, W/ SUNROOF | 6708- |
| | | | | | TURBO, W/ SUNROOF | -6708 |
| 67 070 | | HARNESS, ENGINE | FB02-66-762 | 1 | TURBO, W/ SUNROOF | |
| | | | FB60-67-070B | 1 | TURBO | |
| | | | FB44-67-070E | 1 | TURBO | |
| | | | FB55-67-070B | 1 | W/O TURBO, M/T | |
| 67 099 | | LINK, FUSIBLE | FB56-67-070B | 1 | W/O TURBO, A/T | |
| | | | FB01-67-099 | 2 | 60A | 6701- |
| | | | | | W/O SUNROOF | |
| | | | | | W/ SUNROOF, TURBO | 6708- |
| | | | | | W/ SUNROOF, TURBO | -6708 |
| 67 280B | | BRACKET, BATTERY CABLE | FB01-67-280C | 1 | | |

6701 FC33* -500010
 6708 FC33* -501682
 7601 FC33* -550168

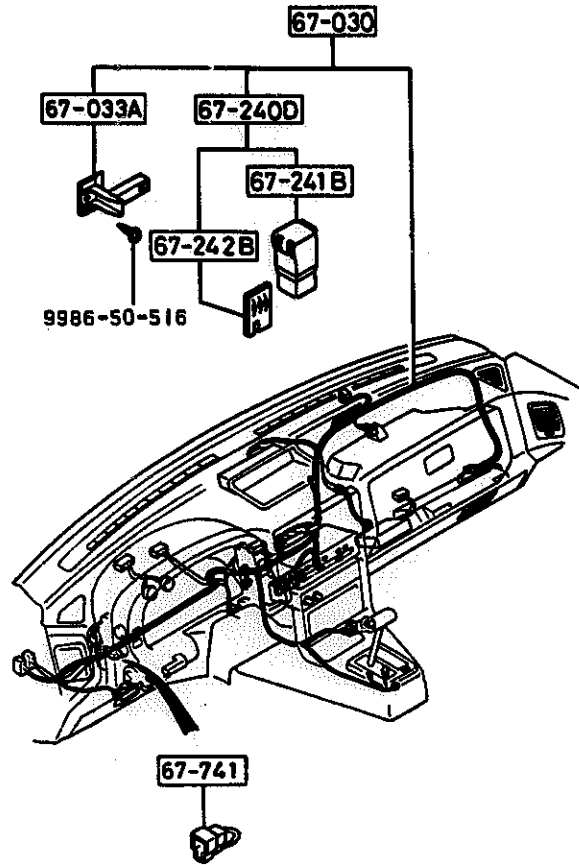
**6701B-1 WIRING HARNESSES (ENGINE & T/MISSION)
(CONVERTIBLE)**



| ITEM NO. | D-CODE | DESCRIPTION | PART NO. | QTY | MODEL/DESCRIPTION | REMARKS |
|----------|--------|-----------------------------|--------------|-----|-------------------|---------|
| 18 050 | | WIRING, ENGINE | N326-18-051M | 1 | | |
| 18 054 | | BRACKET, HOLE-ENGINE WIRING | N326-18-054 | 1 | | |
| 66 136 | | FUSE (30A) | H115-67-099 | 3 | | |
| 66 136A | | FUSE (40A) | H116-67-099 | 1 | | |
| 66 136B | | FUSE (80A) | H117-67-099 | 1 | | |
| 66 760 | | BLOCK, MAIN FUSE | F044-66-760 | 1 | | |
| 66 761 | | COVER, MAIN FUSE BLOCK | FB02-66-762 | 1 | | |
| 67 070 | | HARNESS, ENGINE | FB01-67-070H | 1 | | |
| 67 099 | | LINK, FUSIBLE | FB01-67-099 | 1 | 60A | |
| 67 280B | | BRACKET, BATTERY CABLE | FB01-67-280A | 1 | | |

6702-1

**WIRING HARNESSSES (DASHBOARD)
(COUPE) (W/O ANTI-LOCK BRAKE SYSTEM)**

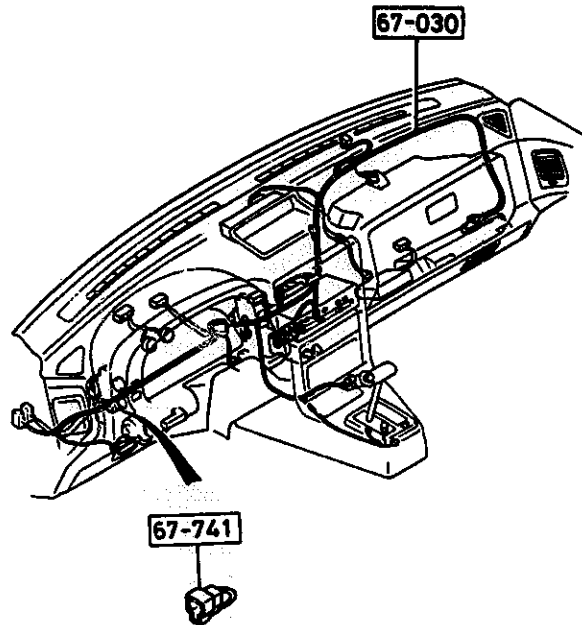


| ITEM NO. | D-CODE | DESCRIPTION | PART NO. | QTY | MODEL/DESCRIPTION | REMARKS |
|----------|---------|--------------------|--------------|-----|-------------------|---------|
| | 67 030 | HARNES, INSTRUMENT | FB01-67-030G | 1 | W/O C.D. | |
| | | | FB08-67-030E | 1 | W/ C.D. | |
| | 67 033A | BRACKET, WIRING | FB01-67-037 | 1 | | |
| | 67 240D | BOX, DIODE | FO41-67-240 | 1 | | |
| | 67 241B | COVER, DIODE | FO41-67-241 | 1 | | |
| | 67 242B | TERMINAL, DIODE | FO41-67-242 | 1 | | |
| | 67 741 | CONNECTOR, SHORT | FB01-67-741 | 1 | A/T | -7401 |

7401 FC33* -543109

6702A-1

**WIRING HARNESSSES (DASHBOARD)
(COUPE) (ANTI-LOCK BRAKE SYSTEM)**



| ITEM NO. | D-CODE | DESCRIPTION | PART NO. | QTY | MODEL/DESCRIPTION | REMARKS |
|----------|--------|---------------------|--------------|-----|-------------------|---------|
| 67 030 | | HARNESS, INSTRUMENT | FB55-67-030B | 1 | W/O C.D. | |
| | | | FB60-67-030D | 1 | W/ C.D. | |
| 67 741 | | CONNECTOR, SHORT | FB01-67-741 | 1 | A/T | |

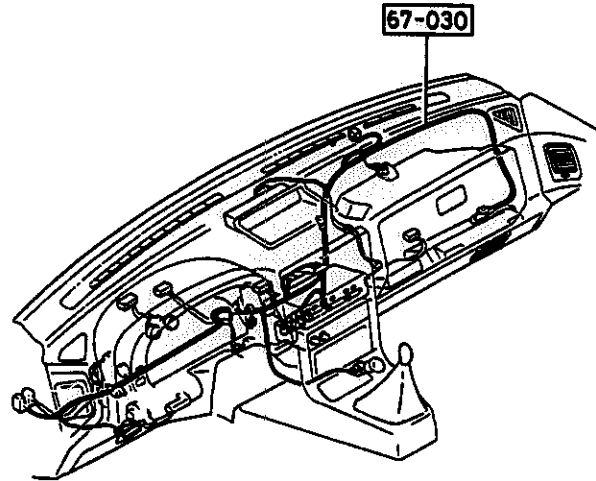
SECTION INDEX -- BODY

| STARTING LOCATION | SECT. NO. | SECTION NAME | STARTING LOCATION | SECT. NO. | SECTION NAME | STARTING LOCATION | SECT. NO. | SECTION NAME |
|-------------------|-----------|---|-------------------|-----------|--------------------------------------|-------------------|-----------|--------------|
| 3 - C 3 | 6682 | AUDIO SYSTEMS (ANTENNA & SPEAKER) | 3 - C 6 | 6860AA | FLOOR MATS & PADS (COUPE) (TURBO) | | | |
| 3 - F 3 | 6684 | AUDIO SYSTEMS (NOISE SUPPRESSOR & GROUND CORD) | 3 - E 6 | 6860AB | FLOOR MATS & PADS (CONVERTIBLE) | | | |
| 3 - G 3 | 6700 | WIRING HARNESSSES (FRONT & REAR) (COUPE) (W/O ANTI-LOCK BRAKE SYSTEM) | 3 - G 6 | 6865A | TRIM CLIPS & FASTENERS (COUPE) | | | |
| 3 - H 3 | 6700A | WIRING HARNESSSES (FRONT & REAR) (COUPE) (ANTI-LOCK BRAKE SYSTEM) | 3 - H 6 | 6865AA | TRIM CLIPS & FASTENERS (CONVERTIBLE) | | | |
| 3 - I 3 | 6700B | WIRING HARNESSSES (FRONT & REAR) (CONVERTIBLE) | 3 - J 6 | 6870 | SERVICE TOOLS | | | |
| 3 - J 3 | 6701 | WIRING HARNESSSES (ENGINE & T/MISSION) (COUPE) (W/O ANTI-LOCK BRAKE SYSTEM) | 3 - C 7 | 6900A | VISORS, ASSIST HANDLES & MIRRORS | | | |
| 3 - K 3 | 6701A | WIRING HARNESSSES (ENGINE & T/MISSION) (COUPE) (ANTI-LOCK BRAKE SYSTEM) | 3 - H 7 | 6930 | CAUTION PLATES & LABELS | | | |
| 3 - L 3 | 6701B | WIRING HARNESSSES (ENGINE & T/MISSION) (CONVERTIBLE) | 3 - J 7 | 7250 | QUARTER WINDOW & TRIMS | | | |
| 3 - M 3 | 6702 | WIRING HARNESSSES (DASHBOARD) (COUPE) (W/O ANTI-LOCK BRAKE SYSTEM) | 3 - K 7 | 7800 | SPOILERS & RELATED PARTS | | | |
| 3 - N 3 | 6702A | WIRING HARNESSSES (DASHBOARD) (COUPE) (ANTI-LOCK BRAKE SYSTEM) | 3 - L 7 | 7900 | ACCESSORIES-CONSOLE LID | | | |
| 3 - C 4 | 6702B | WIRING HARNESSSES (DASHBOARD) (CONVERTIBLE) | | | | | | |
| 3 - D 4 | 6703 | WIRING HARNESSSES (DOOR, FLOOR/CEILING) | | | | | | |
| 3 - E 4 | 6704 | WIRING HARNESS CLAMPS | | | | | | |
| 3 - G 4 | 6720 | WINDSHIELD WASHER | | | | | | |
| 3 - I 4 | 6730 | WINDSHIELD WIPERS | | | | | | |
| 3 - J 4 | 6740 | WIPER MOTOR COMPONENTS (FRONT) | | | | | | |
| 3 - K 4 | 6750 | WINDOW WIPER & WASHER (REAR) (COUPE) | | | | | | |
| 3 - L 4 | 6760 | WINDOW WIPER MOTOR COMPONENTS (REAR) (COUPE) | | | | | | |
| 3 - M 4 | 6800A | CEILING TRIMS (COUPE) | | | | | | |
| 3 - N 4 | 6800AB | CEILING TRIMS (CONVERTIBLE) | | | | | | |
| 3 - C 5 | 6810 | ROLLBAR (CONVERTIBLE) | | | | | | |
| 3 - D 5 | 6820A | PILLAR TRIMS (COUPE) | | | | | | |
| 3 - E 5 | 6820AA | PILLAR TRIMS (CONVERTIBLE) | | | | | | |
| 3 - F 5 | 6840A | TRIMS & SCUFF PLATES (COUPE) | | | | | | |
| 3 - J 5 | 6840AB | TRIMS & SCUFF PLATES (CONVERTIBLE) | | | | | | |
| 3 - K 5 | 6845 | STORAGE BOX (2-SEATER) | | | | | | |
| 3 - L 5 | 6860A | FLOOR MATS & PADS (COUPE) (W/O TURBO) | | | | | | |

3 - B 4

6702B-1

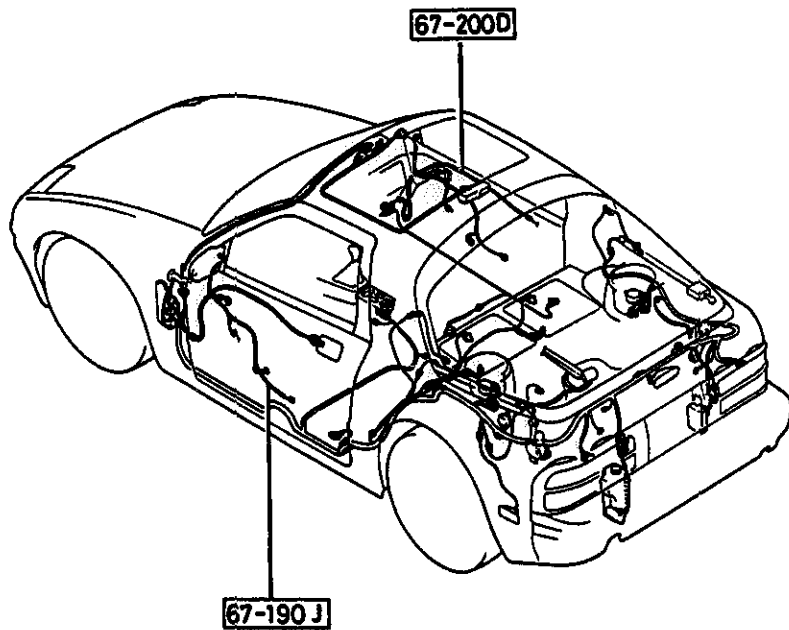
**WIRING HARNESSSES (DASHBOARD)
(CONVERTIBLE)**



| ITEM NO. | D-CODE | DESCRIPTION | PART NO. | QTY | MODEL/DESCRIPTION | REMARKS |
|----------|--------|--------------------|--------------|-----|-------------------|---------|
| | 67 030 | HARNES. INSTRUMENT | FB67-67-030C | 1 | | |

6703-1

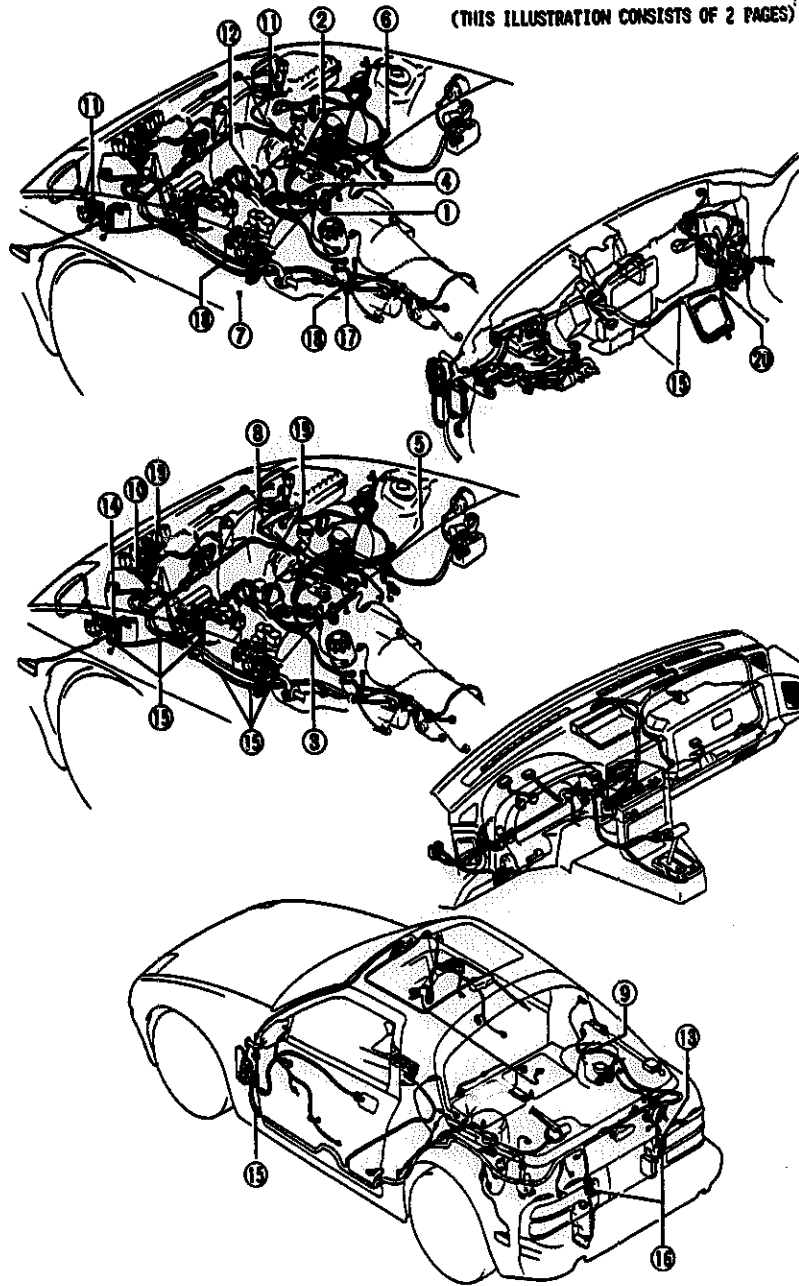
WIRING HARNESSSES (DOOR, FLOOR/CEILING)



| ITEM NO. | D-CODE | DESCRIPTION | PART NO. | QTY | MODEL/DESCRIPTION | REMARKS |
|----------|--------|--------------------------------|--------------|-----|--|---------|
| 67 190J | | WIRING, HARNESS-DRIVER SIDE | FB02-67-190B | 1 | W/O KEY ILLUM. W/O P/S COUPE | |
| | | | FB03-67-190A | 1 | W/ P/S W/O PWR. WIND. COUPE | |
| | | | FB01-67-190F | 1 | W/ P/S W/ PWR. WIND. COUPE | |
| | | | FB67-67-190D | 1 | CONV. | |
| | | | FB02-67-200B | 1 | W/O KEY ILLUM. W/O P/S COUPE | |
| | | | FB03-67-200A | 1 | W/ P/S W/O PWR. WIND. COUPE | |
| 67 200D | | WIRING, HARNESS-PASSENGER SIDE | FB01-67-200F | 1 | W/ P/S W/ PWR. WIND. COUPE | |
| | | | FB67-67-200D | 1 | CONV. | |

(THIS ILLUSTRATION CONSISTS OF 2 PAGES)

(THIS ILLUSTRATION CONSISTS OF 2 PAGES)



| | | | | |
|--|---------------|---------------|---|--|
| ① 18-141E | ② 18-226 | ③ 18-861 | ④ 18-994A | ⑤ 18-995A <small>(N327-18-057C)</small> |
| ⑥ 18-995A <small>(N332-18-057A)</small> | ⑦ 45-961B | ⑧ 66-941A | ⑨ 66-941C | ⑩ 67-012A |
| ⑪ 67-014A | ⑫ 67-019 | ⑬ 67-031B | ⑭ 67-051E <small>(U842-67-051)</small> | ⑮ 67-051E <small>(W029-67-051A)</small> |
| ⑯ 67-052J | ⑰ 67-072A | ⑱ 67-073 | ⑲ 67-254 | ⑳ 67-051G |
| | | | | |
| | | | | |

6704-2

WIRING HARNESS CLAMPS

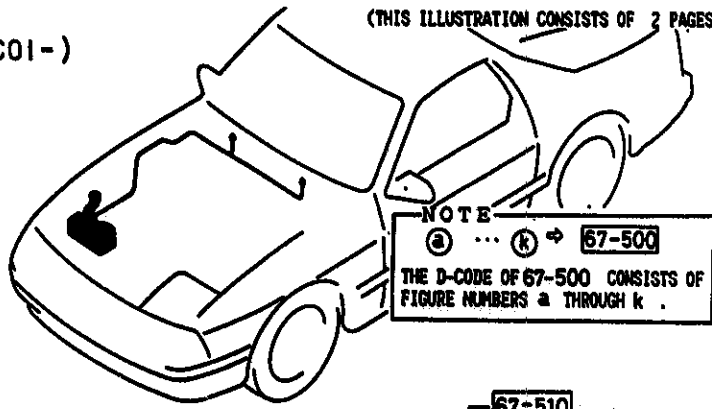
| ITEM NO. | D-CODE | DESCRIPTION | PART NO. | QTY | MODEL/DESCRIPTION | REMARKS |
|----------|--------|----------------------|--------------|-----|-------------------|-----------|
| 18 14E | | SUPPORTER, CORD | N319-18-14Y | 1 | TURBO | |
| 18 226 | | CLIP | N326-18-0FD | 1 | | |
| 18 861 | | CLIP | 8341-18-861C | 1 | W/O TURBO | |
| 18 994A | | CLIP, ENGINE HARNESS | 1820-18-994 | 1 | W/O TURBO | |
| 18 995A | | BRACKET, CLIP | N327-18-057D | 1 | | |
| 45 961B | | CAP | H002-45-961 | 1 | | |
| 66 941A | | CLIP | GB08-66-941 | 1 | | |
| 66 941C | | CLIP | UB42-66-971 | 1 | | |
| 67 012A | | CLIP | FB01-67-012 | 1 | | |
| 67 014A | | CLIP | FB01-67-014 | 4 | | |
| 67 019 | | CLIP | FB02-67-019A | 1 | W/O TURBO | |
| 67 031B | | CLIP | UB42-67-031 | 1 | | |
| 67 051E | | CLIP | UB42-67-051 | 1 | | |
| | | | WO29-67-051 | 7 | | -6601 |
| | | | WO29-67-051A | 7 | | 6601-7701 |
| | | | | 8 | | 7701- |
| 67 052J | | CLIP | B001-67-051 | 2 | | |
| 67 072A | | CLIP | FB01-67-072 | 1 | | |
| 67 073 | | CLIP | FB01-67-073A | 2 | | |
| 67 254 | | CLIP, CABLE | S113-67-254A | 3 | | |
| 67 293 | | CLIP, CABLE | S083-67-253 | 1 | | |
| 6601 | FC33* | -152302 | | | | |
| 7701 | FC33* | -550169 | | | | |

SEE ILLUSTRATION/S AT FRAME 3 - E 4

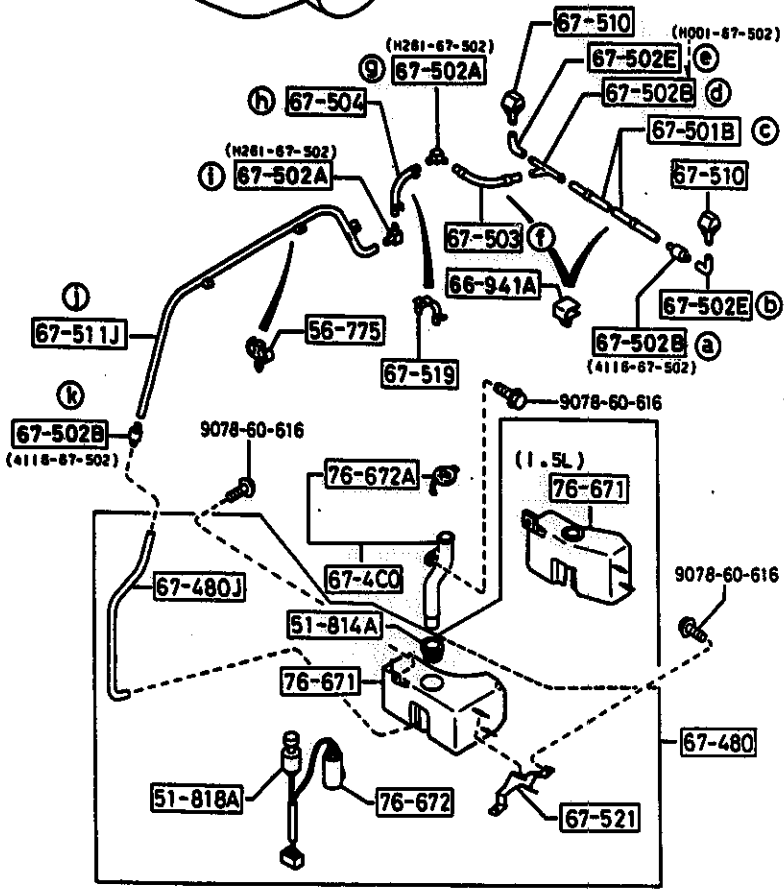
3 - F 4

(7C01-)

(THIS ILLUSTRATION CONSISTS OF 2 PAGES)

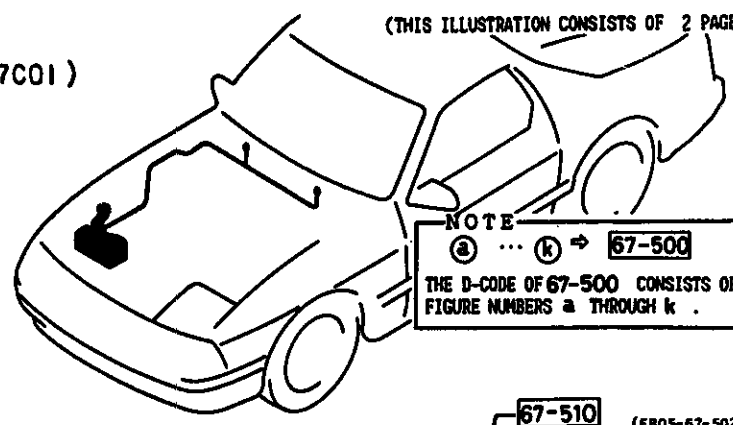


NOTE
 a ... k → 67-500
 THE D-CODE OF 67-500 CONSISTS OF FIGURE NUMBERS a THROUGH k .

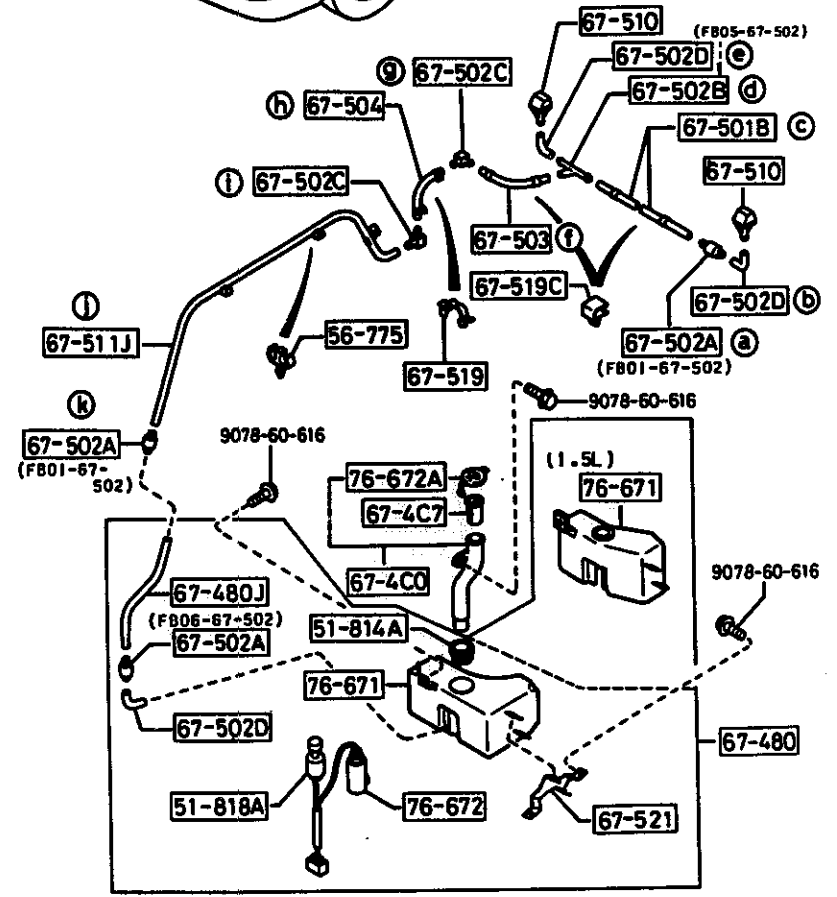


(-7C01)

(THIS ILLUSTRATION CONSISTS OF 2 PAGES)



NOTE
 a ... k → 67-500
 THE D-CODE OF 67-500 CONSISTS OF FIGURE NUMBERS a THROUGH k .



6720-2

WINDSHIELD WASHER

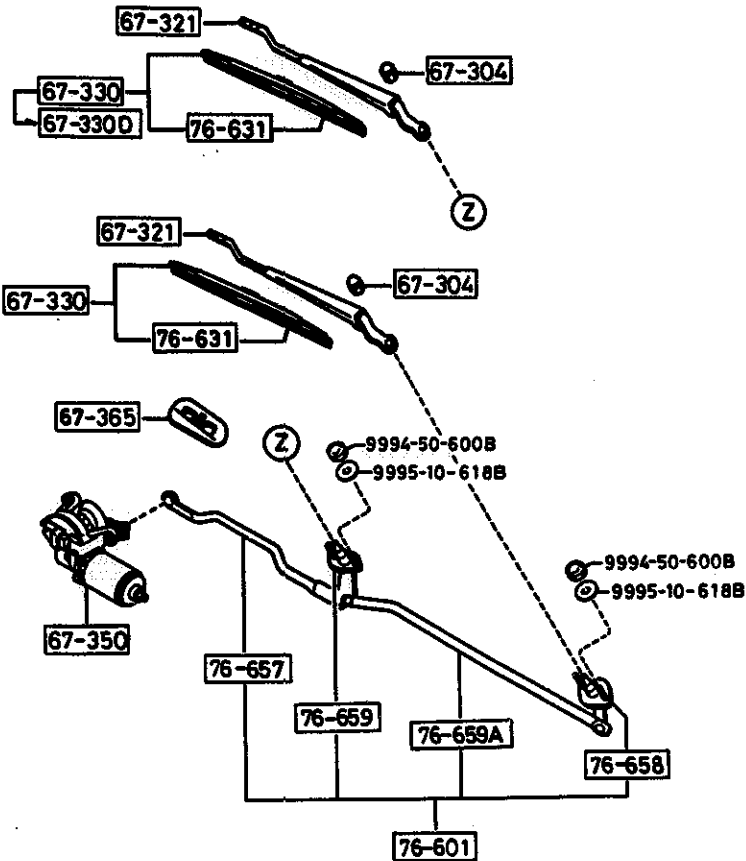
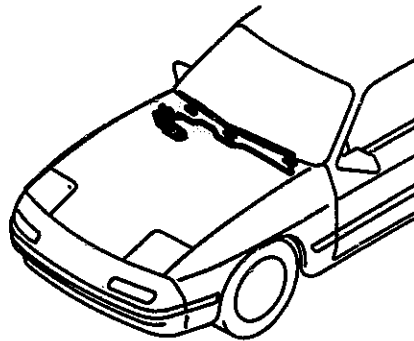
| ITEM NO. | D-CODE | DESCRIPTION | PART NO. | QTY | MODEL/DESCRIPTION | REMARKS |
|----------|--------|---------------------------|--------------|-----|-------------------|---------|
| 51 814A | | GROMMET, WASHER TANK | FB01-51-816 | 1 | | |
| 51 818A | | SWITCH, LEVEL-WASHER TANK | FB01-67-488A | 1 | | |
| 56 775 | | CLIP, WIRE-BONNET | FB01-56-775B | 3 | | |
| 67 480 | | TANK, WASHER-FRONT | FB41-67-4T0 | 1 | | |
| 67 480J | | PIPE, VINYL | FB04-67-503 | 1 | | |
| 67 4C0 | | PIPE, FILLER-WASHER TANK | FB01-67-4C0B | 1 | | |
| 67 4C7 | | FILTER, WASHER TANK-FRONT | FB01-67-4C7 | 1 | | |
| 67 500 | | PIPE | FB01-67-500B | 1 | | |
| 67 501B | | HOSE 'A', WASHER | FB01-67-501B | 1 | | |
| 67 502A | | JOINT, HOSE | FB01-67-502 | 2 | | |
| | | | FB06-67-502 | 1 | | |
| 67 502B | | JOINT, HOSE | FB05-67-502 | 1 | | |
| 67 502C | | JOINT, ELBOW | FB03-67-502 | 2 | | |
| 67 502D | | JOINT 'L' | FB04-67-502 | 3 | | |
| 67 503 | | HOSE 'B', WASHER | FB01-67-503A | 1 | | |
| 67 504 | | HOSE 'C', WASHER | FB01-67-504A | 1 | | |
| 67 510 | | NOZZLE, WASHER-WINDSHIELD | FB01-67-510 | 2 | | |
| 67 511J | | PIPE, SCREEN WASHER | FB02-67-503 | 1 | | |
| 67 519 | | CLIP, PIPE | FB01-67-519A | 3 | | |
| 67 519C | | CLIP | FB02-67-519 | 6 | | |
| 67 521 | | BRACKET, WASHER TANK | FB04-67-4B5 | 1 | | |
| 76 671 | | TANK | FB01-67-4B1 | 1 | | |
| 76 672 | | PUMP, WASHER | FB01-67-4B2A | 1 | | |
| 76 672A | | CAP, TANK | FB01-67-4B3 | 1 | | |

SEE ILLUSTRATION/S AT FRAME 3 - G 4

3 - H 4

6730-1

WINDSHIELD WIPERS

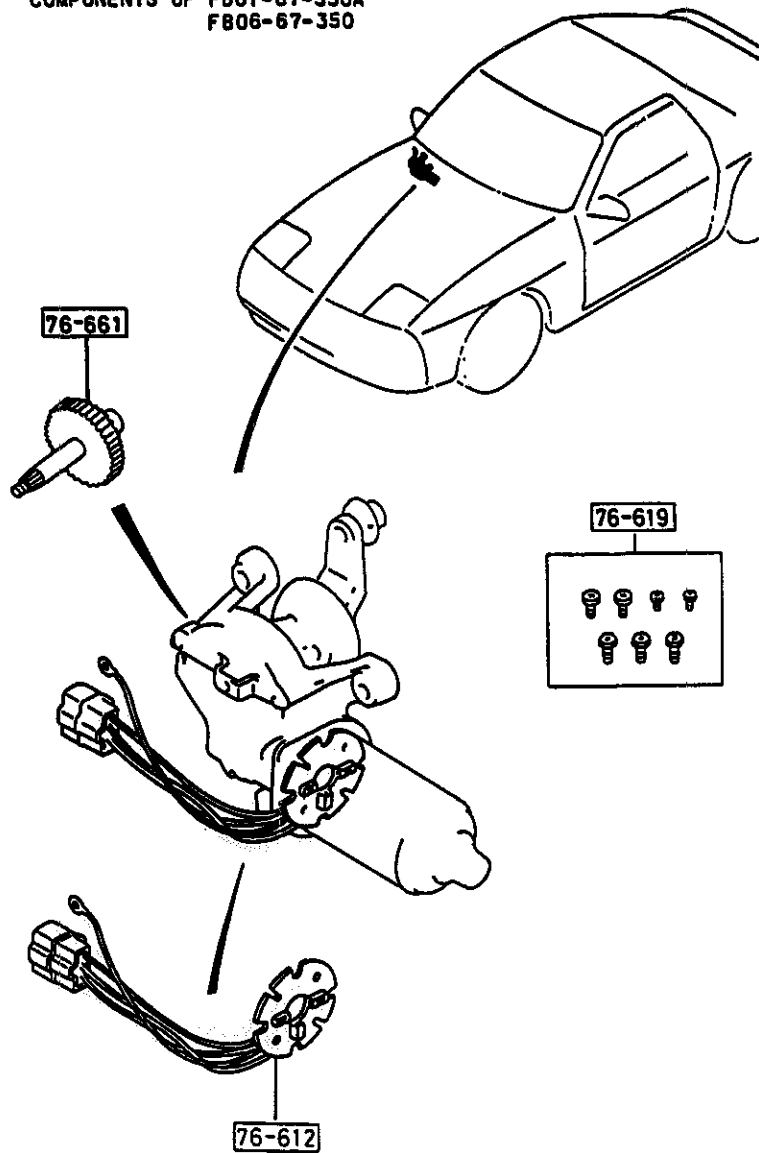


| ITEM NO. | D-CODE | DESCRIPTION | PART NO. | QTY | MODEL/DESCRIPTION | REMARKS |
|----------|--------|------------------------|--------------|-----|-------------------|-----------|
| 67 304 | | NUT, WIPER ARM-FRONT | FB01-67-304 | 2 | | -8401 |
| 67 321 | | ARM, WIPER | FB01-67-321B | 1 | DRIVER SIDE | |
| | | | FB02-67-321A | 1 | PASSENGER SIDE | |
| 67 330 | | BLADE, WIPER-FRONT | HE76-67-330A | 2 | | |
| 67 350 | | MOTOR, WIPER | FB01-67-350A | 1 | | -7701 |
| | | | FB06-67-350 | 1 | | 7701-8401 |
| | | | FB05-67-350A | 1 | | 8401- |
| 67 365 | | COVER, SEAL-COWL PANEL | FB01-67-365 | 1 | | -7801 |
| 76 601 | | LINK, WIPER | FB01-67-360C | 1 | | -8401 |
| 76 631 | | RUBBER, BLADE-FRONT | H260-67-331 | 2 | | -8401 |
| | | | HE76-67-331A | 2 | | 8401- |
| 76 657 | | ARM NO. 1, LINK | FB01-67-361 | 1 | | |
| 76 658 | | SHAFT, DRIVE NO. 2 | FB01-67-364 | 1 | | |
| 76 659 | | SHAFT, DRIVE NO. 1 | FB01-67-363 | 1 | | |
| 76 659A | | ARM NO. 2, LINK | FB01-67-362 | 1 | | |

7701 FC33* -550169
 7801 FC33* -605316
 FC351 -100021
 8401 FC33* -624152
 FC351 -104470

6740-1 WIPER MOTOR COMPONENTS (FRONT)

COMPONENTS OF FB01-67-350A
FB06-67-350

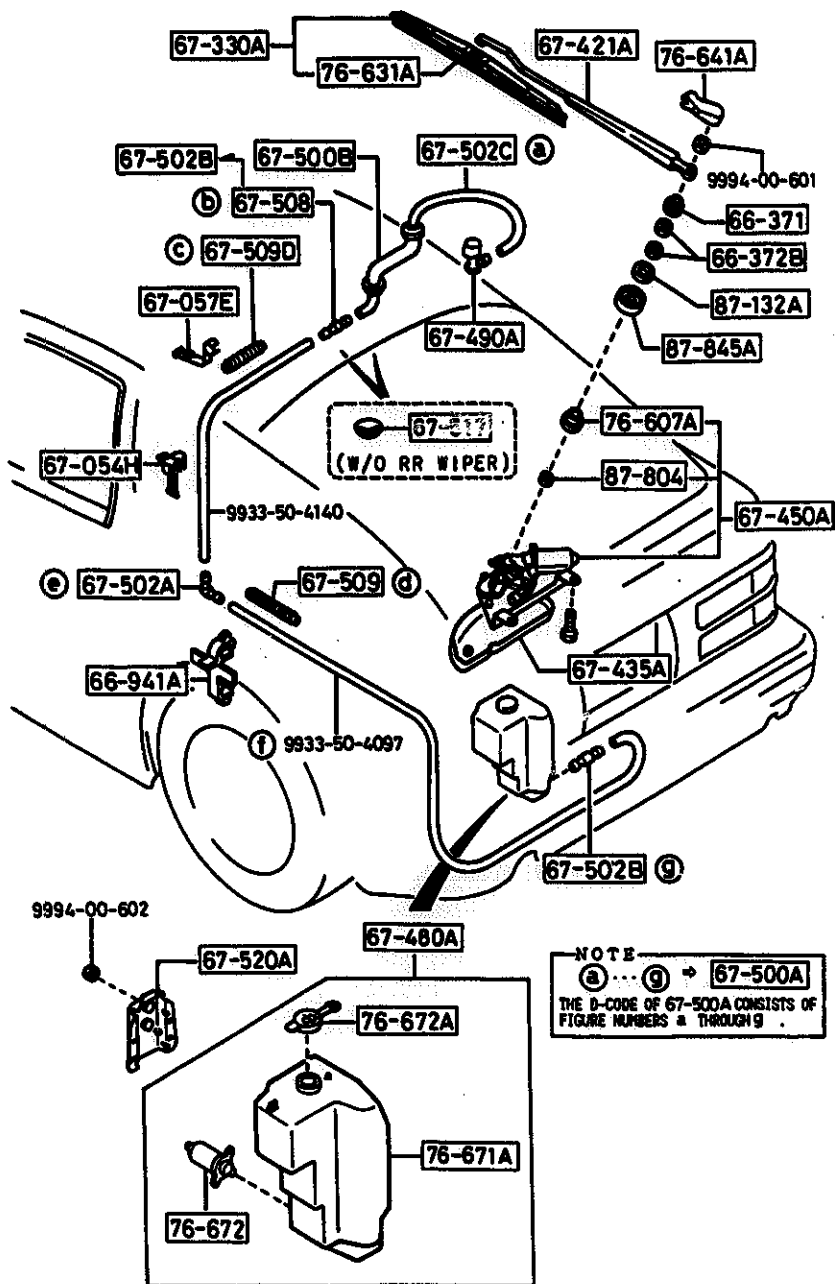


| ITEM NO. | D-CODE | DESCRIPTION | PART NO. | QTY | MODEL/DESCRIPTION | REMARKS |
|----------|--------|---------------------|--------------|-----|-------------------|---------|
| 76 612 | | PLATE, HOLDER-BRUSH | FB01-67-351 | 1 | | -7701 |
| 76 619 | | PARTS SET | FB05-67-351 | 1 | | 7701- |
| 76 661 | | GEAR, SHAFT | H043-76-619A | 1 | | |
| | | | GJ83-67-354 | 1 | | 7701- |

7701 FC33* -550169

6750-1

WINDOW WIPER & WASHER (REAR)
(COUPE)



NOTE
 a ... 9 → 67-500A
 THE D-CODE OF 67-500A CONSISTS OF
 FIGURE NUMBERS a THROUGH 9 .

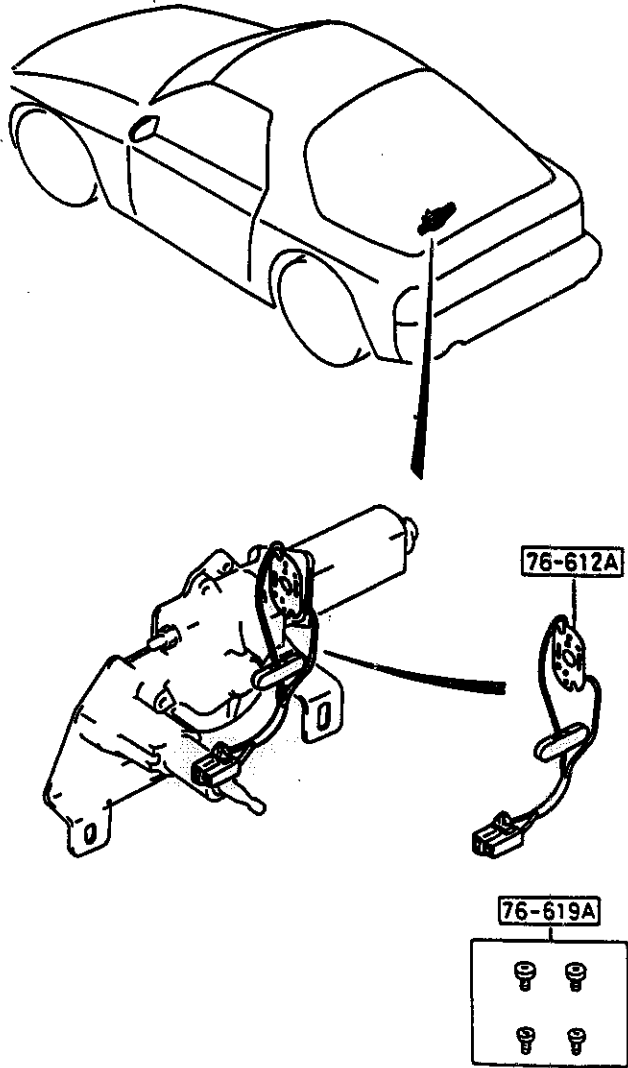
| ITEM NO. | D-CODE | DESCRIPTION | PART NO. | QTY | MODEL/DESCRIPTION | REMARKS |
|----------|--------|----------------------------|--------------|-----|-------------------|---------|
| 66 371 | | CAP, SEAL | FB02-67-366 | 1 | | -7701 |
| | | | FB02-67-366A | 1 | | 7701- |
| 66 372B | | NUT | D001-76-605 | 2 | | |
| 66 941A | | CLIP | GB08-66-941 | 1 | | |
| 67 054H | | CLIP, OPENER CABLE | FB02-67-056 | 3 | | |
| 67 057E | | CLIP 'B', PIPE-REAR WASHER | FB02-67-057 | 2 | | |
| 67 330A | | BLADE, WIPER-REAR | FB02-67-330 | 1 | | |
| 67 421A | | ARM, WIPER | FB02-67-421 | 1 | | |
| 67 435A | | COVER, WIPER MOTOR | FB02-67-458B | 1 | | |
| 67 450A | | MOTOR | FB02-67-450A | 1 | | |
| 67 480A | | TANK, WASHER-REAR | FB02-67-480A | 1 | | |
| 67 490A | | NOZZLE, WASHER | FB02-67-510 | 1 | | |
| 67 500A | | PIPE, REAR WASHER-LOWER | FB02-67-500 | 1 | | |
| 67 500B | | PIPE, REAR WASHER-UPPER | FB04-67-500B | 1 | | |
| 67 502A | | JOINT, HOSE | S013-67-502 | 1 | | |
| 67 502B | | JOINT, HOSE | 4116-67-502 | 1 | | |
| 67 502C | | JOINT, ELBOW | SA70-67-502 | 1 | | |
| 67 508 | | VALVE, CHECK | FA54-67-508 | 1 | | |
| 67 509 | | TUBE, CORRUGATE | G044-67-509 | 1 | | |
| 67 509D | | TUBE, CORRUGATE | G033-67-509 | 1 | | |
| 67 517 | | COVER, HOLE | FB01-67-517 | 2 | | |
| 67 520A | | BRACKET | FB02-67-520A | 1 | | |
| 76 607A | | BUSHING, INNER | FB02-67-402A | 2 | | |
| 76 631A | | RUBBER, BLADE-REAR | FB02-67-331 | 1 | | |
| 76 641A | | COVER, WIPER ARM-REAR | B093-76-641 | 1 | | |
| 76 671A | | TANK, WASHER-RR. WIPER | FB02-67-481 | 1 | | |
| 76 672 | | PUMP, WASHER | 8532-76-672 | 1 | | |
| 76 672A | | CAP, TANK | G030-76-673A | 1 | | |
| 87 132A | | WASHER | FB02-67-406 | 1 | | |
| 87 804 | | WASHER | FB03-67-406 | 1 | | |
| 87 845A | | GASKET | FB02-67-408A | 1 | | |

7701 FC33* -550169

6760-1

WINDOW WIPER MOTOR COMPONENTS (REAR) (COUPE)

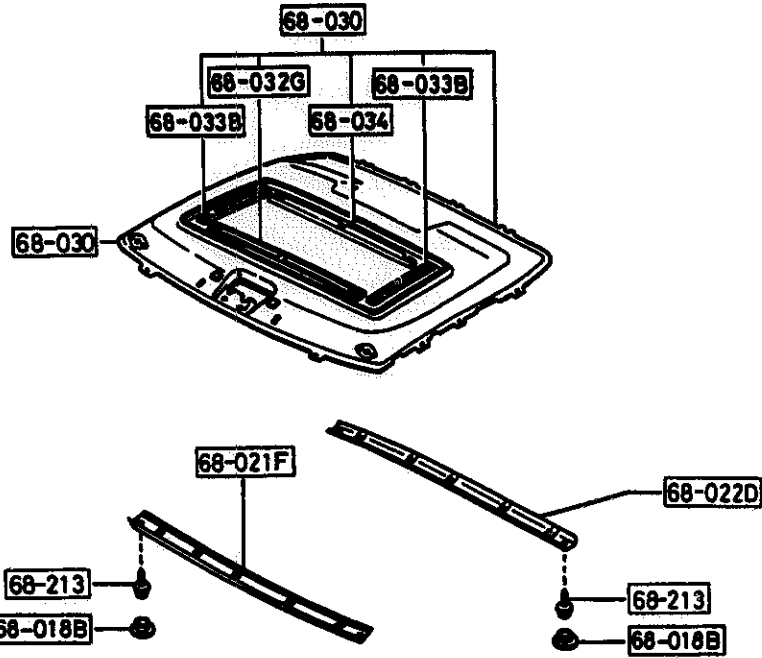
COMPONENTS OF FB02-67-450A



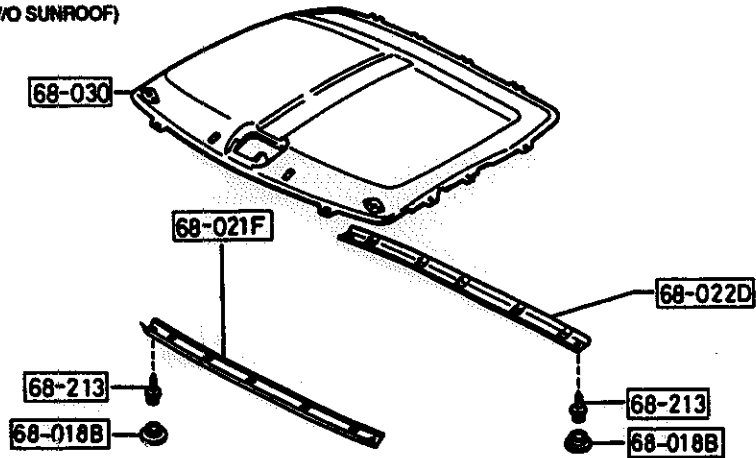
| ITEM NO. | D-CODE | DESCRIPTION | PART NO. | QTY | MODEL/DESCRIPTION | REMARKS |
|----------|---------|---------------------|--------------|-----|-------------------|---------|
| | 76 612A | PLATE, HOLDER-BRUSH | FB02-67-451 | 1 | | |
| | 76 619A | PARTS SET | B002-76-619A | 1 | | |

**6800A-1 CEILING TRIMS
(COUPE)**

(W/SUNROOF)



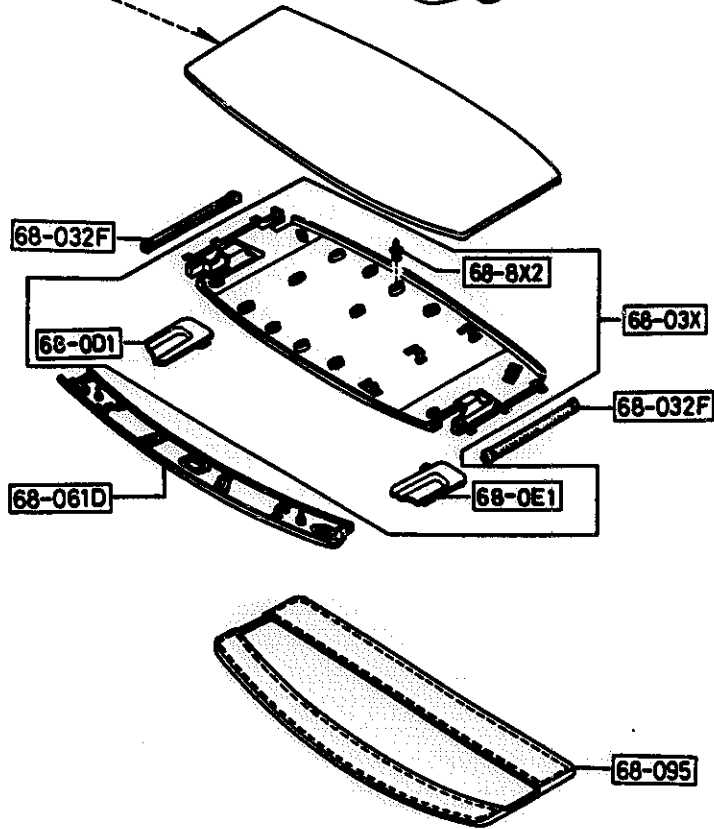
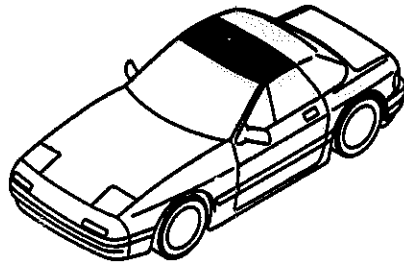
(W/O SUNROOF)



| ITEM NO. | D-CODE | DESCRIPTION | PART NO. | QTY | MODEL/DESCRIPTION | REMARKS |
|----------|--------|--------------------------|--------------|-----|-------------------|---------|
| 68 018B | | CAP | FB01-68-151 | 4 | | |
| | | BLACK | 02 | | | |
| | | DARK GRAY | 07 | | | |
| | | RED | 10 | | | |
| 68 021F | | GARNISH, TOP-FRONT | FB01-68-020 | 1 | | |
| | | BLACK | 02 | | | |
| | | DARK GRAY | 07 | | | |
| | | RED | 10 | | | |
| 68 022D | | GARNISH, TOP-REAR | FB01-68-040 | 1 | | |
| | | BLACK | 02 | | | |
| | | DARK GRAY | 07 | | | |
| | | RED | 10 | | | |
| 68 030 | | CEILING, TOP | FB02-68-030 | 1 | W/O SUNROOF | |
| | | GRAY | 07 | | | |
| | | RED | 10 | | | |
| | | BLUE | 48 | | | |
| 68 032G | | CHANNEL, T/CEILING-FRONT | FB03-68-032 | 1 | FOR SUNROOF | |
| | | GRAY | 07 | | | |
| | | RED | 10 | | | |
| | | BLUE | 48 | | | |
| 68 033B | | CHANNEL, T/CEILING-SIDE | FB03-68-033 | 2 | FOR SUNROOF | |
| 68 034 | | CHANNEL, T/CEILING-REAR | FB03-68-034 | 1 | FOR SUNROOF | |
| 68 213 | | SCREW, TAPPING | G030-68-213B | 4 | | |

**6800AB-1 CEILING TRIMS
(CONVERTIBLE)**

PANEL/FABRIC, ROOF
(REFER TO SECT. NO. 6330)



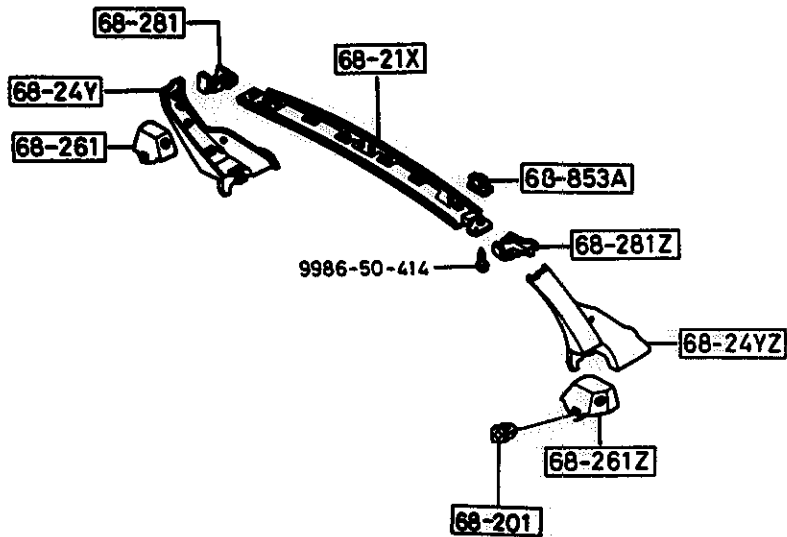
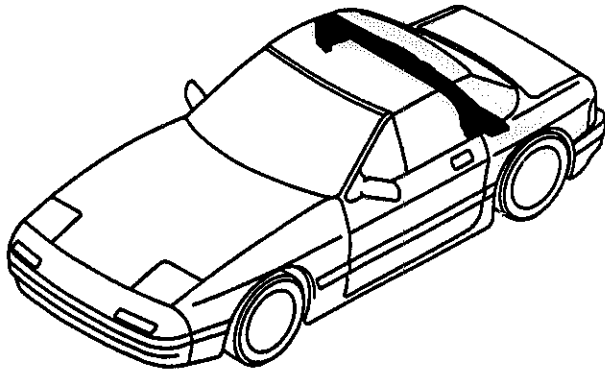
| ITEM NO. | D-CODE | DESCRIPTION | PART NO. | QTY | MODEL/DESCRIPTION | REMARKS |
|----------|--------|--------------------|--------------|-----|-------------------|---------|
| 68 032F | | WELT, SEAMING-ROOF | FB67-68-032 | 2 | | |
| | | GRAY | 07 | | | |
| | | BLUE | 48 | | | |
| 68 03X | | TRIM, TOP | FB67-68-03XB | 1 | | |
| | | GRAY | 07 | | | |
| | | BLUE | 48 | | | |
| 68 061D | | TRIM, FRONT HEADER | FB67-68-020 | 1 | | |
| | | GRAY | 07 | | | |
| | | BLUE | 48 | | | |
| 68 095 | | BAG, ROOF PANEL | FB67-68-095A | 1 | | |

SECTION INDEX -- BODY

| STARTING LOCATION | SECT. NO. | SECTION NAME | STARTING LOCATION | SECT. NO. | SECTION NAME | STARTING LOCATION | SECT. NO. | SECTION NAME |
|-------------------|-----------|---|-------------------|-----------|--------------------------------------|-------------------|-----------|--------------|
| 3 - C 3 | 6682 | AUDIO SYSTEMS (ANTENNA & SPEAKER) | 3 - C 6 | 6860AA | FLOOR MATS & PADS (COUPE) (TURBO) | | | |
| 3 - F 3 | 6684 | AUDIO SYSTEMS (NOISE SUPPRESSOR & GROUND CORD) | 3 - E 6 | 6860AB | FLOOR MATS & PADS (CONVERTIBLE) | | | |
| 3 - G 3 | 6700 | WIRING HARNESES (FRONT & REAR) (COUPE) (W/O ANTI-LOCK BRAKE SYSTEM) | 3 - G 6 | 6865A | TRIM CLIPS & FASTENERS (COUPE) | | | |
| 3 - H 3 | 6700A | WIRING HARNESES (FRONT & REAR) (COUPE) (ANTI-LOCK BRAKE SYSTEM) | 3 - H 6 | 6865AA | TRIM CLIPS & FASTENERS (CONVERTIBLE) | | | |
| 3 - I 3 | 6700B | WIRING HARNESES (FRONT & REAR) (CONVERTIBLE) | 3 - I 6 | 6870 | SERVICE TOOLS | | | |
| 3 - J 3 | 6701 | WIRING HARNESES (ENGINE & T/MISSION) (COUPE) (W/O ANTI-LOCK BRAKE SYSTEM) | 3 - C 7 | 6900A | VISORS, ASSIST HANDLES & MIRRORS | | | |
| 3 - K 3 | 6701A | WIRING HARNESES (ENGINE & T/MISSION) (COUPE) (ANTI-LOCK BRAKE SYSTEM) | 3 - H 7 | 6930 | CAUTION PLATES & LABELS | | | |
| 3 - L 3 | 6701B | WIRING HARNESES (ENGINE & T/MISSION) (CONVERTIBLE) | 3 - I 7 | 7250 | QUARTER WINDOW & TRIMS | | | |
| 3 - M 3 | 6702 | WIRING HARNESES (DASHBOARD) (COUPE) (W/O ANTI-LOCK BRAKE SYSTEM) | 3 - K 7 | 7800 | SPOILERS & RELATED PARTS | | | |
| 3 - N 3 | 6702A | WIRING HARNESES (DASHBOARD) (COUPE) (ANTI-LOCK BRAKE SYSTEM) | 3 - L 7 | 7900 | ACCESSORIES-CONSOLE LID | | | |
| 3 - C 4 | 6702B | WIRING HARNESES (DASHBOARD) (CONVERTIBLE) | | | | | | |
| 3 - D 4 | 6703 | WIRING HARNESES (DOOR, FLOOR/CEILING) | | | | | | |
| 3 - E 4 | 6704 | WIRING HARNESS CLAMPS | | | | | | |
| 3 - G 4 | 6720 | WINDSHIELD WASHER | | | | | | |
| 3 - I 4 | 6730 | WINDSHIELD WIPERS | | | | | | |
| 3 - J 4 | 6740 | WIPER MOTOR COMPONENTS (FRONT) | | | | | | |
| 3 - K 4 | 6750 | WINDOW WIPER & WASHER (REAR) (COUPE) | | | | | | |
| 3 - L 4 | 6760 | WINDOW WIPER MOTOR COMPONENTS (REAR) (COUPE) | | | | | | |
| 3 - M 4 | 6800A | CEILING TRIMS (COUPE) | | | | | | |
| 3 - N 4 | 6800AB | CEILING TRIMS (CONVERTIBLE) | | | | | | |
| 3 - C 5 | 6810 | ROLLBAR (CONVERTIBLE) | | | | | | |
| 3 - D 5 | 6820A | PILLAR TRIMS (COUPE) | | | | | | |
| 3 - E 5 | 6820AA | PILLAR TRIMS (CONVERTIBLE) | | | | | | |
| 3 - F 5 | 6840A | TRIMS & SCUFF PLATES (COUPE) | | | | | | |
| 3 - J 5 | 6840AB | TRIMS & SCUFF PLATES (CONVERTIBLE) | | | | | | |
| 3 - K 5 | 6845 | STORAGE BOX (2-SEATER) | | | | | | |
| 3 - L 5 | 6860A | FLOOR MATS & PADS (COUPE) (W/O TURBO) | | | | | | |

6810-1

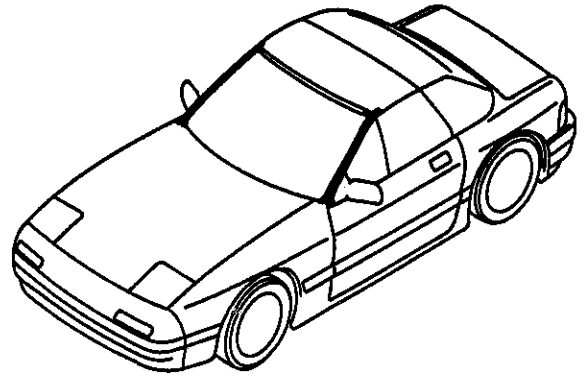
**ROLLBAR
(CONVERTIBLE)**



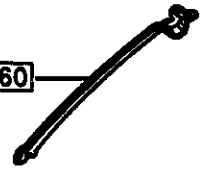
| ITEM NO. | D-CODE | DESCRIPTION | PART NO. | QTY | MODEL/DESCRIPTION | REMARKS |
|----------|--------|----------------------------|--------------|-----|-------------------|---------|
| 68 201 | | GROMMET, SCREW-QTR. TRIM | FB67-68-201 | 2 | | |
| 68 21X | | TRIM, FORMING BAR | FB67-68-21XB | 1 | | |
| | | GRAY | 07 | | | |
| | | BLUE | 48 | | | |
| 68 24Y | | COVER (R), LINK | FB67-68-24YA | 1 | | |
| | | GRAY | 07 | | | |
| | | BLUE | 48 | | | |
| 68 24YZ | | COVER (L), LINK | FB67-68-25YA | 1 | | |
| | | GRAY | 07 | | | |
| | | BLUE | 48 | | | |
| 68 261 | | COVER (R), BELT | FB67-68-261B | 1 | | |
| | | GRAY | 07 | | | |
| | | BLUE | 48 | | | |
| 68 261Z | | COVER (L), BELT | FB67-68-271B | 1 | | |
| | | GRAY | 07 | | | |
| | | BLUE | 48 | | | |
| 68 281 | | COVER (R), HINGE | FB67-68-28XA | 1 | | |
| | | GRAY | 07 | | | |
| | | BLUE | 48 | | | |
| 68 281Z | | COVER (L), HINGE | FB67-68-29XA | 1 | | |
| | | GRAY | 07 | | | |
| | | BLUE | 48 | | | |
| 68 853A | | GROMMET, SCREW-T/SIDE TRIM | FB02-68-853 | 2 | | |

6820AA-1

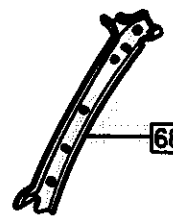
**PILLAR TRIMS
(CONVERTIBLE)**



68-160

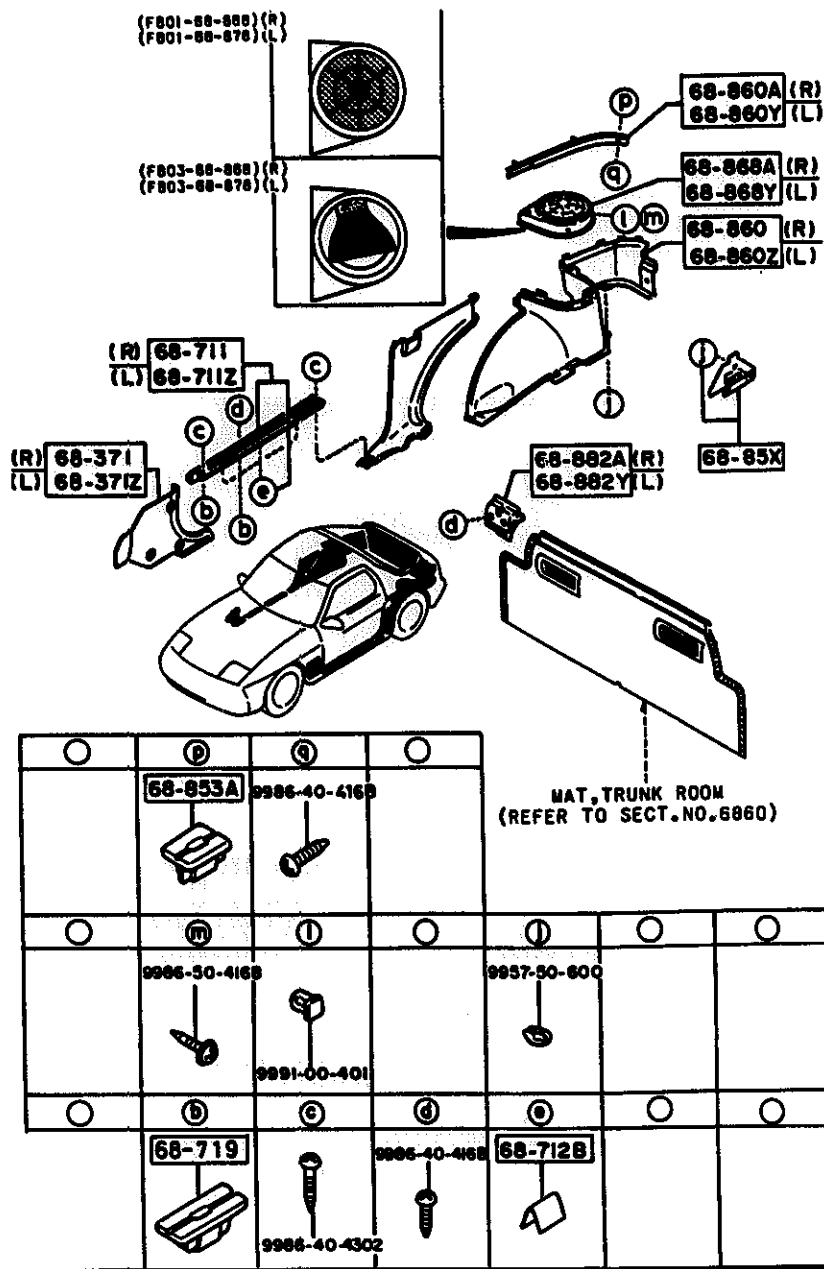


68-160Z



| ITEM NO. | D-CODE | DESCRIPTION | PART NO. | QTY | MODEL/DESCRIPTION | REMARKS |
|----------|--------|----------------------|-------------|-----|-------------------|---------|
| 68 160 | | TRIM (R), 'A' PILLAR | FB67-68-160 | 1 | | |
| | | DARK GRAY | 07 | | | |
| | | BLUE | 48 | | | |
| 68 160Z | | TRIM (L), 'A' PILLAR | FB67-68-170 | 1 | | |
| | | DARK GRAY | 07 | | | |
| | | BLUE | 48 | | | |

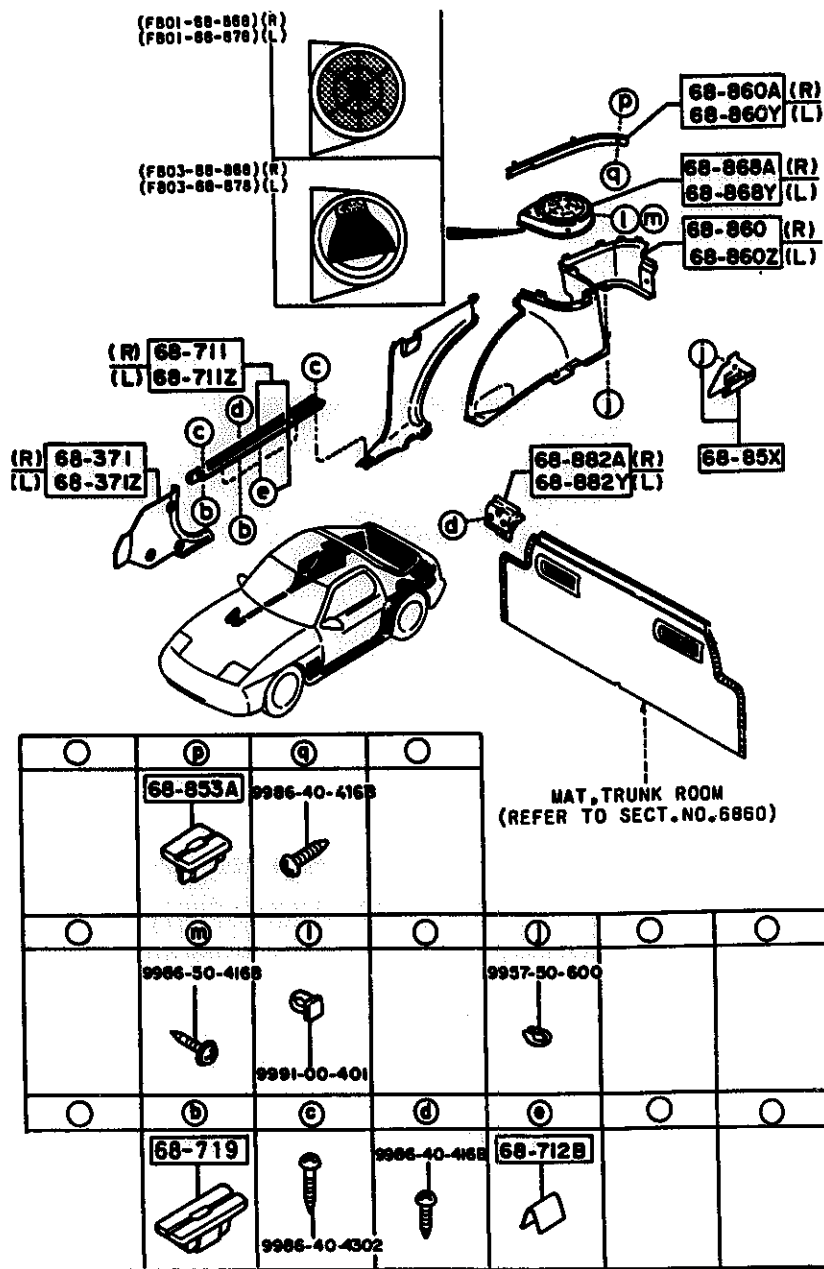
6840A-1 TRIMS & SCUFF PLATES (COUPE)



| ITEM NO. | D-CODE | DESCRIPTION | PART NO. | QTY | MODEL/DESCRIPTION | REMARKS |
|----------|--------|----------------------------|--------------|-----|--|---------|
| 68 371 | | TRIM (R), FRONT SIDE | FB01-68-370 | 1 | | |
| | | BLACK | 02 | | | |
| | | DARK GRAY | 07 | | | |
| | | RED | 10 | | | |
| | | BLUE | 48 | | | |
| 68 371Z | | TRIM (L), FRONT SIDE | FB01-68-390 | 1 | | |
| | | BLACK | 02 | | | |
| | | DARK GRAY | 07 | | | |
| | | RED | 10 | | | |
| | | BLUE | 48 | | | |
| 68 711 | | PLATE (R), FRONT SCUFF | FB01-68-710A | 1 | | |
| | | BLACK | 02 | | | |
| | | DARK GRAY | 07 | | | |
| | | RED | 10 | | | |
| | | BLUE | 48 | | | |
| 68 711Z | | PLATE (L), FRONT SCUFF | FB01-68-720A | 1 | | |
| | | BLACK | 02 | | | |
| | | DARK GRAY | 07 | | | |
| | | RED | 10 | | | |
| | | BLUE | 48 | | | |
| 68 712B | | CLIP | B003-68-712 | 12 | | |
| 68 719 | | GROMMET, SCREW | H001-68-719A | 12 | | |
| | | < AN > | H001-68-719B | 12 | | |
| 68 853A | | GROMMET, SCREW-T/SIDE TRIM | FB01-68-853 | 2 | | -7601 |
| | | | FB02-68-853 | 2 | | 7601- |
| 68 85X | | LID, SIDE-TRUNK ROOM | FB01-68-85X | 1 | | |
| 68 860 | | TRIM (R), TRUNK SIDE | FB01-68-86YB | 1 | BASE, SPORT, GTU W/O SILENCER PAD & CD 2-SEATER | |
| | | DARK GRAY | 07 | | | |
| | | RED | 10 | | | |
| | | BLUE | 48 | | | |
| | | | FB02-68-86YB | 1 | GXL, TURBO W/ SILENCER PAD, W/O CD 2-SEATER | |
| | | DARK GRAY | 07 | | | |
| | | RED | 10 | | | |
| | | BLUE | 48 | | | |
| | | | FB05-68-86YA | 1 | GXL, TURBO W/ SILENCER PAD & CD 2-SEATER | |
| | | DARK GRAY | 07 | | | |

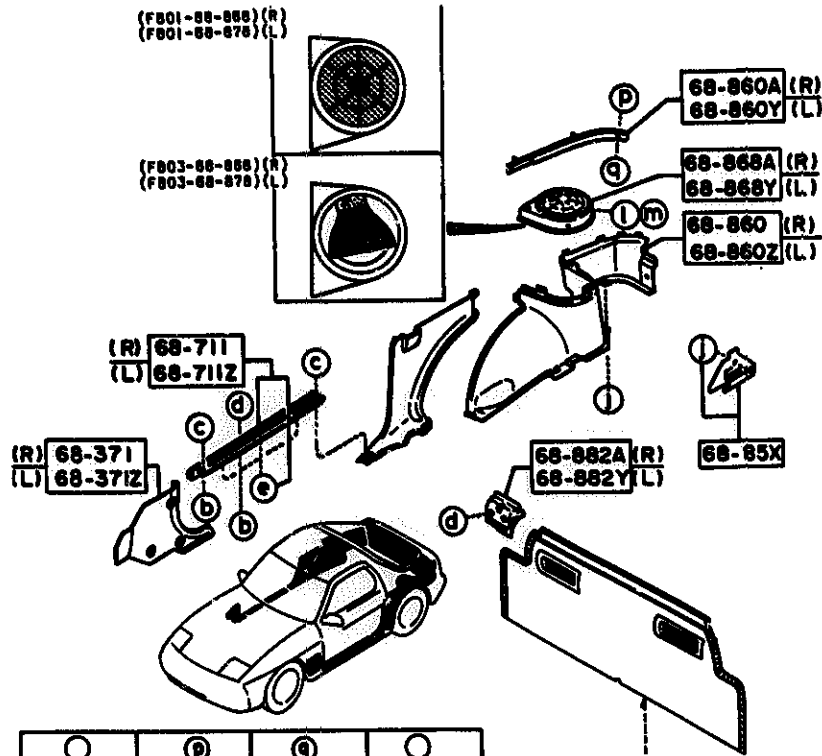
7601 FC33* -550168

6840A-3 TRIMS & SCUFF PLATES (COUPE)



| ITEM NO. | D-CODE | DESCRIPTION | PART NO. | QTY | MODEL/DESCRIPTION | REMARKS |
|------------------|--------|----------------------------|----------|-----|-------------------|--|
| 68 860Z (CONT'D) | | RED | 10 | | | |
| | | BLUE | 48 | | | |
| | | DARK GRAY | 07 | | | |
| | | RED | 10 | | | |
| | | BLUE | 48 | | | |
| | | | | | FB09-68-87YB | 1 BASE, SE, SPORT, GTU W/O SILENCER PAD 22 |
| | | | | | FB10-68-87YB | 1 GXL, TURBO W/ SILENCER PAD 22 |
| | | DARK GRAY | 07 | | | |
| | | RED | 10 | | | |
| | | BLUE | 48 | | | |
| 68 868A | | GRILLE (R), SPEAKER-T/TRIM | | | FB01-68-868 | 1 |
| | | BLACK | 02 | | | |
| | | DARK GRAY | 07 | | | |
| | | RED | 10 | | | |
| | | BLUE | 48 | | | |
| | | | | | FB03-68-868 | 1 FIN TYPE |
| | | BLACK | 02 | | | |
| | | DARK GRAY | 07 | | | |
| | | RED | 10 | | | |
| | | BLUE | 48 | | | |
| 68 868Y | | GRILLE (R), SPEAKER-T/TRIM | | | FB01-68-878 | 1 |
| | | BLACK | 02 | | | |
| | | DARK GRAY | 07 | | | |
| | | RED | 10 | | | |
| | | BLUE | 48 | | | |
| | | | | | FB03-68-878 | 1 METALLIC SILVER |
| | | BLACK | 02 | | | |
| | | DARK GRAY | 07 | | | |
| | | RED | 10 | | | |
| | | BLUE | 48 | | | |
| 68 882A | | COVER (R), T/END TRIM | | | FB01-68-894B | 1 |
| | | BLACK | 02 | | | |
| | | DARK GRAY | 07 | | | |
| | | RED | 10 | | | |
| | | BLUE | 48 | | | |
| 68 882Y | | COVER (L), T/END TRIM | | | FB01-68-895B | 1 |
| | | BLACK | 02 | | | |
| | | DARK GRAY | 07 | | | |

6840A-4 TRIMS & SCUFF PLATES (COUPE)

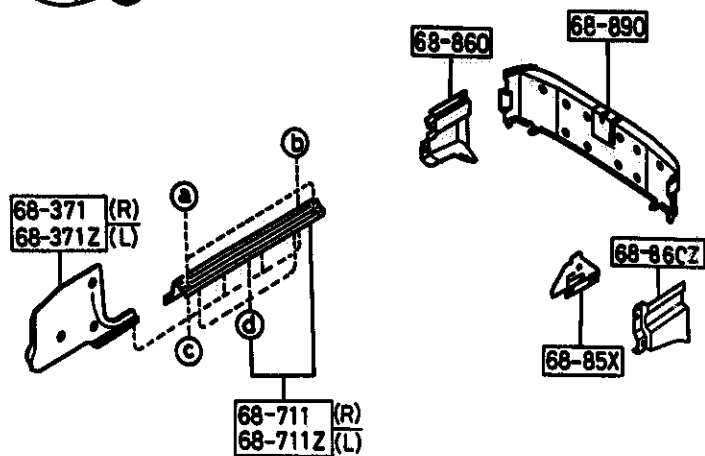
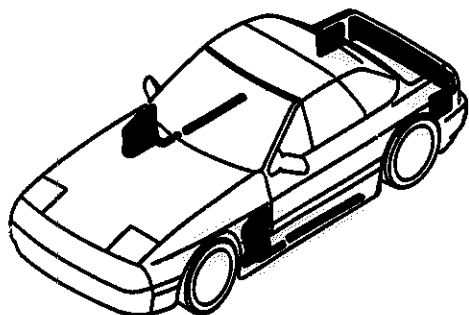


MAT, TRUNK ROOM
(REFER TO SECT. NO. 6860)

| | | | | | | |
|--|--|--|--|--|--|--|
| | | | | | | |
| | | | | | | |
| | | | | | | |

| ITEM NO. | D-CODE | DESCRIPTION | PART NO. | QTY | MODEL/DESCRIPTION | REMARKS |
|----------|------------------|-------------|----------|-----|-------------------|---------|
| | 68 882Y (CONT'D) | RED | 10 | | | |
| | | BLUE | 48 | | | |

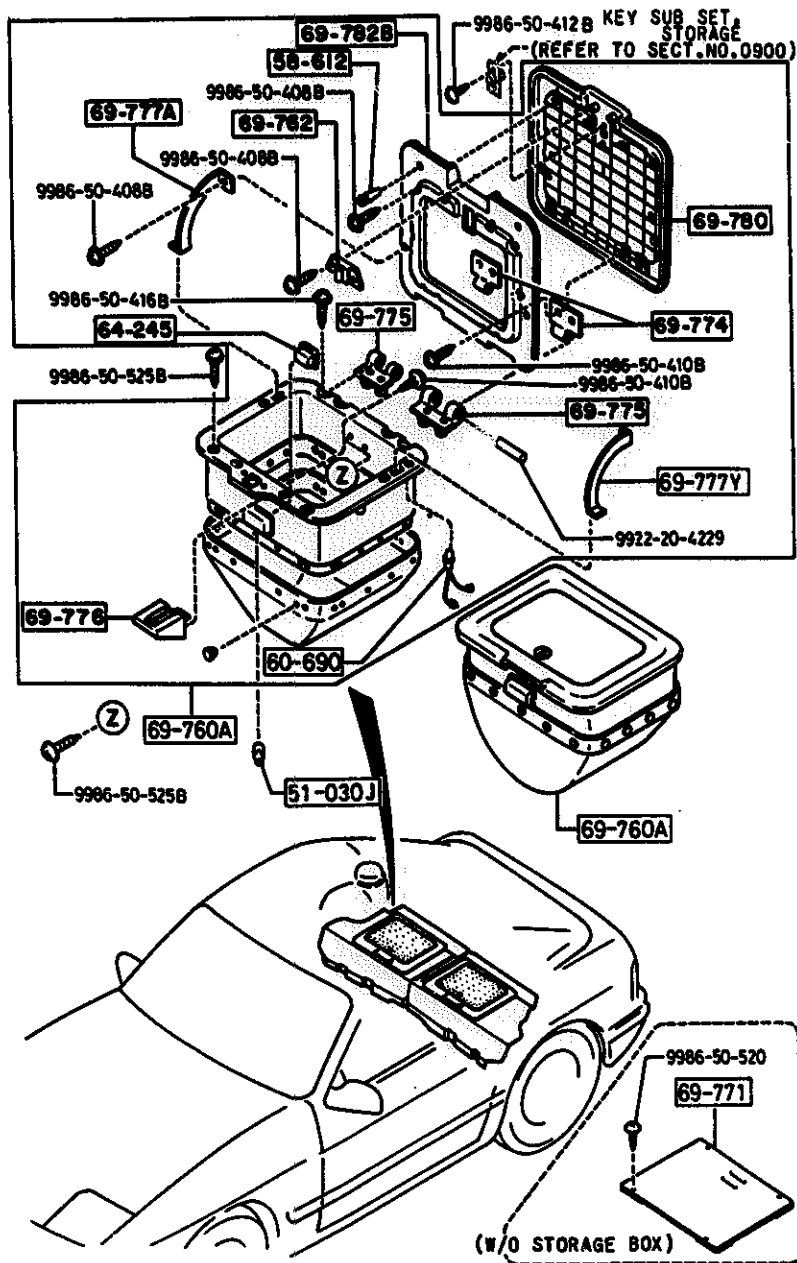
**6840AB-1 TRIMS & SCUFF PLATES
(CONVERTIBLE)**



| | | | | | |
|--------------|--------------|--------|---------|--|--|
| a | b | c | d | | |
| 9996-40-430B | 9976-90-416B | 68-719 | 68-712B | | |
| | | | | | |

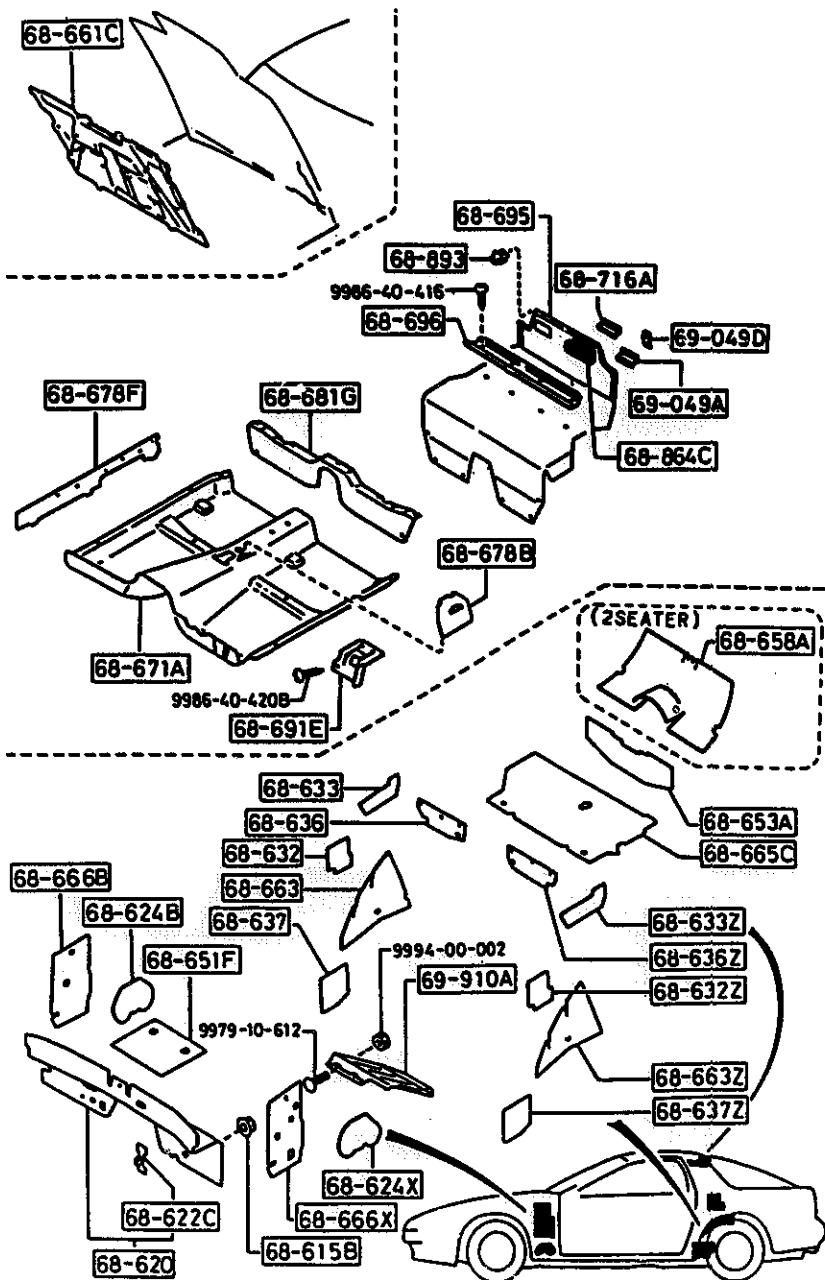
| ITEM NO. | D-CODE | DESCRIPTION | PART NO. | QTY | MODEL/DESCRIPTION | REMARKS |
|----------|--------|---|-------------------------|-----|-------------------|---------|
| 68 371 | | TRIM (R), FRONT SIDE DARK GRAY BLUE | FB67-68-370 07 48 | 1 | | |
| 68 371Z | | TRIM (L), FRONT SIDE DARK GRAY BLUE | FB67-68-390 07 48 | 1 | | |
| 68 711 | | PLATE (R), FRONT SCUFF GRAY BLUE | FB67-68-710 07 48 | 1 | | |
| 68 711Z | | PLATE (L), FRONT SCUFF GRAY BLUE | FB67-68-720 07 48 | 1 | | |
| 68 712B | | CLIP | B235-68-712 | 6 | | |
| 68 719 | | GROMMET, SCREW | B235-68-719 | 10 | | |
| 68 85X | | LID, SIDE-TRUNK ROOM | FB01-68-85X | 1 | | |
| 68 860 | | TRIM (R), TRUNK SIDE DARK GRAY | FB67-68-861 07 | 1 | | |
| 68 860Z | | TRIM (L), TRUNK SIDE DARK GRAY | FB67-68-871 07 | 1 | | |
| 68 890 | | TRIM, TRUNK END DARK GRAY | FB67-68-891B 07 | 1 | | |

6845-1 STORAGE BOX (2-SEATER)



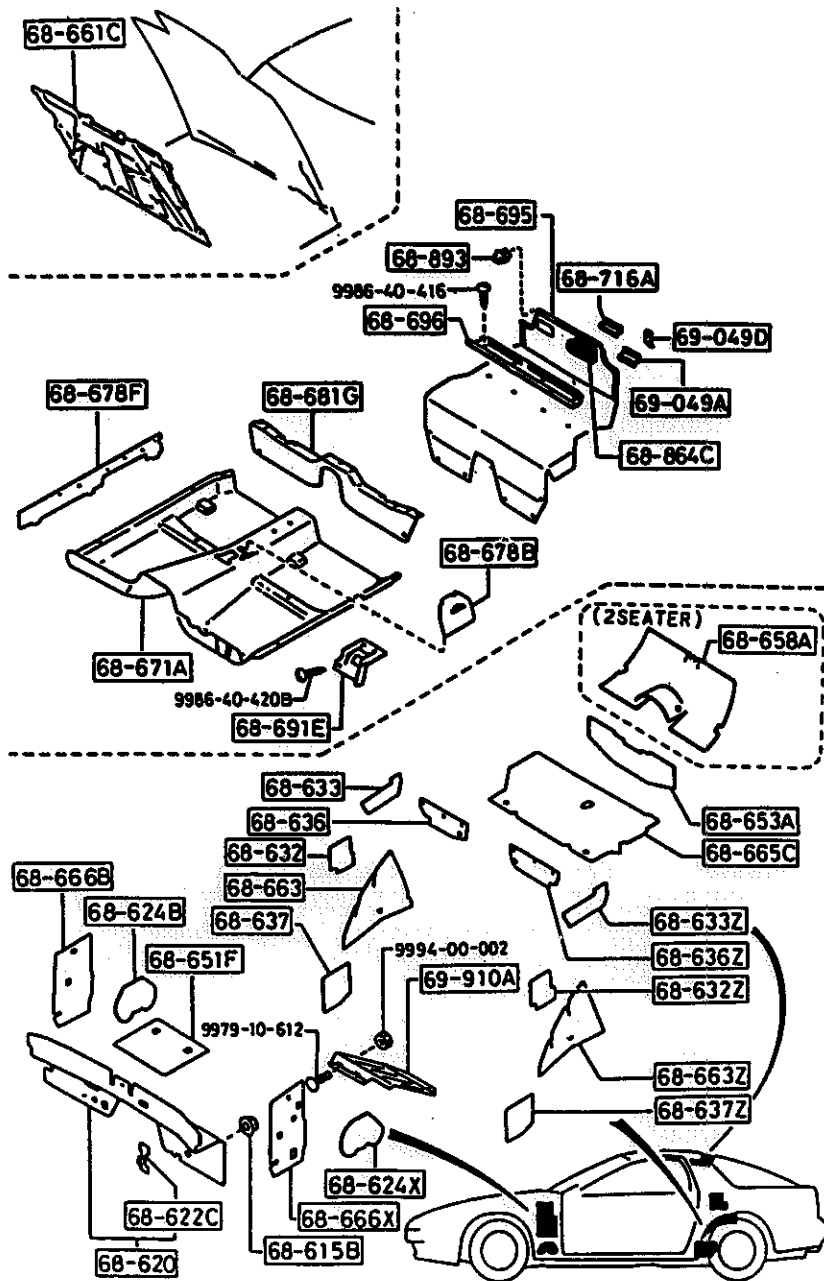
| ITEM NO. | D-CODE | DESCRIPTION | PART NO. | QTY | MODEL/DESCRIPTION | REMARKS |
|----------|--------|--------------------------|--------------|-----|-------------------|---------|
| 51 030J | | BULB | 0000-11-0194 | 2 | 12V 3.4W | |
| 58 612 | | CUSHION, RUBBER | 0259-58-612 | 4 | | |
| 60 690 | | SWITCH, GLOVE TRAY | G030-66-540B | 2 | | |
| 64 245 | | LENS, SIDE WALL | H002-64-245 | 2 | | |
| 69 760A | | BOX, STORAGE | FB01-69-760 | 2 | | |
| | | DARK GRAY | 07 | | | |
| | | RED | 10 | | | |
| | | BLUE | 48 | | | |
| 69 762 | | PLATE, LOCK | FB01-69-762 | 2 | | |
| | | DARK GRAY | 07 | | | |
| | | RED | 10 | | | |
| | | BLUE | 48 | | | |
| 69 771 | | COVER, HOLE-STORAGE BOX | FB02-69-771 | 2 | W/O STORAGE BOX | |
| 69 774 | | HINGE NO. 1, STORAGE BOX | FB01-69-774 | 4 | | |
| | | DARK GRAY | 07 | | | |
| | | RED | 10 | | | |
| | | BLUE | 48 | | | |
| 69 775 | | HINGE NO. 2, STORAGE BOX | FB01-69-775 | 4 | | |
| | | DARK GRAY | 07 | | | |
| | | RED | 10 | | | |
| | | BLUE | 48 | | | |
| 69 776 | | STRIKER, STORAGE BOX | FB01-69-776 | 2 | | |
| 69 777A | | STOPPER (R), STORAGE BOX | FB01-69-777 | 2 | | |
| 69 777Y | | STOPPER (L), STORAGE BOX | FB01-69-778 | 2 | | |
| 69 780 | | LID, OUTER-STORAGE BOX | FB01-69-780 | 2 | | |
| | | DARK GRAY | 07 | | | |
| | | RED | 10 | | | |
| | | BLUE | 48 | | | |
| 69 782B | | LID, INNER-STORAGE BOX | FB01-69-782 | 2 | | |
| | | DARK GRAY | 07 | | | |
| | | RED | 10 | | | |
| | | BLUE | 48 | | | |

**6860A-1 FLOOR MATS & PADS
(COUPE) (W/O TURBO)**



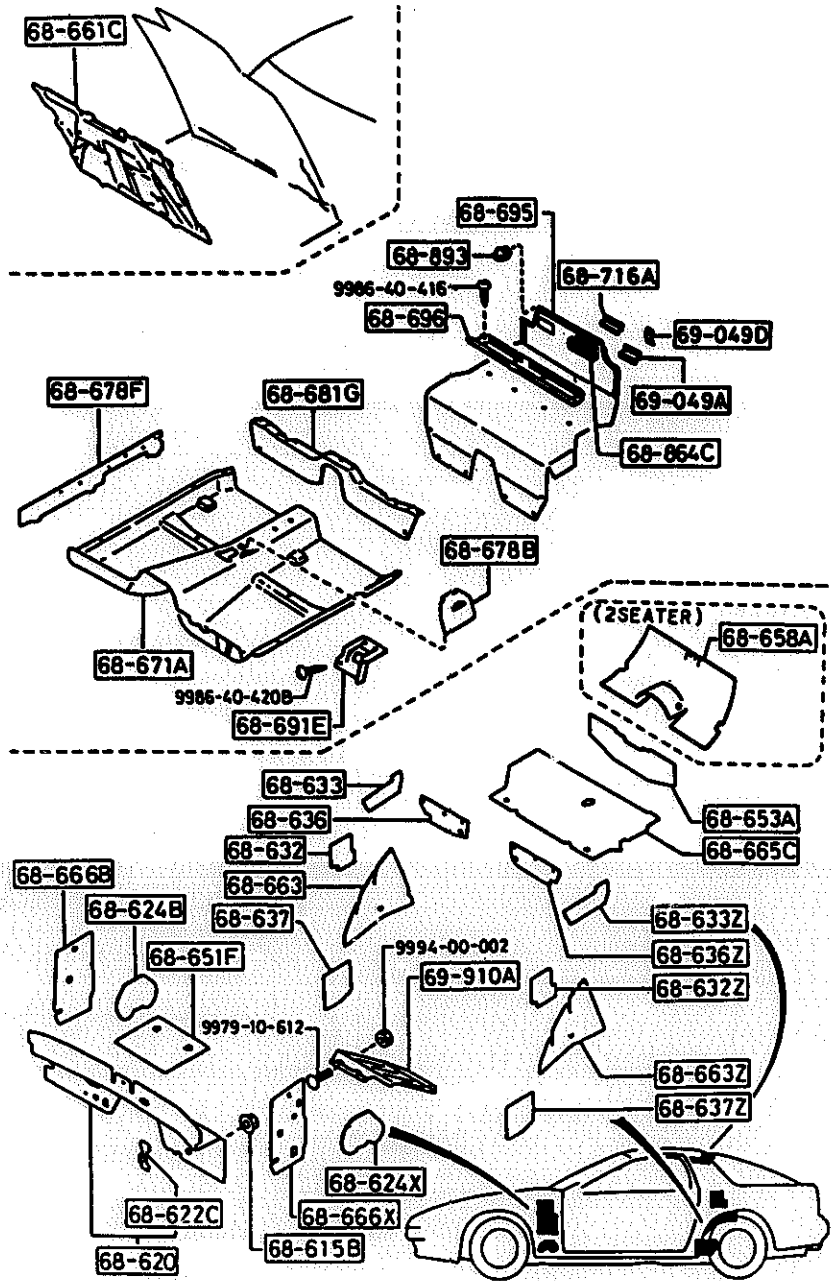
| ITEM NO. | D-CODE | DESCRIPTION | PART NO. | QTY | MODEL/DESCRIPTION | REMARKS |
|----------|--------|-------------------------------------|--------------|-----|-----------------------------|---------|
| 68 615B | | NUT, FLANGE-CAP | B100-68-615 | 13 | | |
| 68 620 | | INSULATOR, DASHBOARD | FB02-68-620A | 1 | W/O SILENCER PAD | |
| | | | FB04-68-620A | 1 | W/ SILENCER PAD | |
| 68 622C | | CLIP, DASHBOARD INSULATOR | FB01-68-622 | 4 | | |
| 68 624B | | COVER (R), HOLE-DASHBOARD INSULATOR | FB01-68-624 | 1 | | |
| 68 624X | | COVER (L), HOLE-DASHBOARD INSULATOR | FB01-68-625 | 1 | | |
| 68 632 | | COVER (R), RETRACTOR | FB01-68-632 | 1 | | |
| 68 632Z | | COVER (L), RETRACTOR-REAR | FB01-68-642 | 1 | | |
| 68 633 | | COVER (R), QUARTER PILLAR | FB01-68-633 | 1 | | |
| 68 633Z | | COVER (L), QUARTER PILLAR | FB01-68-643 | 1 | | |
| 68 636 | | INSULATOR (R), CROSS MEMBER | FB01-68-636A | 1 | | |
| 68 636Z | | INSULATOR (L), CROSS MEMBER | FB01-68-646A | 1 | | |
| 68 637 | | COVER (R), RETRACTOR-FRONT | FB01-68-637 | 1 | | |
| 68 637Z | | COVER (L), RETRACTOR-FRONT | FB01-68-647 | 1 | | |
| 68 651F | | PAD, FRONT FLOOR | FB01-68-652 | 1 | | |
| 68 653A | | INSULATOR, SPARE TIRE | FB01-68-653 | 1 | | |
| 68 658A | | PAD, STORAGE BOX | FB01-68-658 | 1 | STD, SE, SPT | |
| | | | FB03-68-658 | 1 | GXL | |
| 68 661C | | INSULATOR, BONNET | FB03-68-661A | 1 | | |
| 68 663 | | INSULATOR (R), TIRE HOUSING | FB01-68-663 | 1 | W/O SILENCER PAD | |
| | | | FB03-68-663 | 1 | W/ SILENCER PAD | |
| 68 663Z | | INSULATOR (L), TIRE HOUSING | FB01-68-664 | 1 | W/O SILENCER PAD | |
| | | | FB03-68-664 | 1 | W/ SILENCER PAD | |
| 68 665C | | PAD, TRUNK | FB01-68-668 | 1 | W/O SILENCER PAD | |
| | | | FB03-68-668 | 1 | W/ SILENCER PAD | |
| 68 666B | | PAD (R), SIDE-DASHBOARD | FB03-68-666A | 1 | | |
| 68 666X | | PAD (L), SIDE-DASHBOARD | FB03-68-667A | 1 | | |
| 68 671A | | MAT, FLOOR | FB01-68-671B | 1 | UNWOVEN CLOTH W/ CONSOLE | |
| | | GRAY | 07 | | | |
| | | RED | 10 | | | |
| | | BL'VE | 48 | | | |
| | | | FB02-68-671B | 1 | CARPET W/O SILENCER | |
| | | GRAY | 07 | | | |
| | | RED | 10 | | | |
| | | BLUE | 48 | | | |
| | | | FB04-68-671C | 1 | CARPET W/ SILENCER PAD | |
| | | GRAY | 07 | | | |
| | | RED | 10 | | | |

**6860A-2 FLOOR MATS & PADS
(COUPE) (W/O TURBO)**



| ITEM NO. | D-CODE | DESCRIPTION | PART NO. | QTY | MODEL/DESCRIPTION | REMARKS | |
|----------|---------------------|-------------------------|--------------|-----|---|---------|--|
| | 68 671A (CONT'D) | BLUE | 48 | 1 | CARPET W/ SILENCER PAD | | |
| | | | FB05-68-671 | | | | |
| | | GRAY | 07 | | | | |
| | | RED | 10 | | | | |
| | 68 678B | MAT, PARKING BRAKE | | 1 | UNWOVEN CLOTH | | |
| | | GRAY | 07 | | | | |
| | | RED | 10 | | | | |
| | | BLUE | 48 | | | | |
| | | | FB01-68-673 | 1 | CARPET | | |
| | | | FB02-68-673 | | | | |
| | | GRAY | 07 | | | | |
| | | RED | 10 | | | | |
| | | BLUE | 48 | 1 | CARPET | | |
| | | | FB67-68-673 | | | | |
| | | DARK GRAY | 07 | | | | |
| | | RED | 10 | | | | |
| 68 678F | | GUARD, HARNESS-FRONT | FB01-69-678A | 2 | | | |
| 68 681G | | MAT, END-TRUNK ROOM | | 1 | 2 2 | | |
| | | GRAY | 07 | | | | |
| | | RED | 10 | | | | |
| | | BLUE | 48 | | | | |
| 68 691E | | COVER, OPENER-FLOOR MAT | | 1 | | | |
| | | DARK GRAY | 09 | | | | |
| | | RED | 10 | | | | |
| | | BLUE | 48 | | | | |
| 68 695 | | MAT, TRUNK ROOM | | 1 | W/O SILENCER PAD W/ CARGO STRAP 2 2 | | |
| | | | FB40-68-69X | | | | |
| | | GRAY/DARK GRAY | 07 | | | | |
| | | RED | 10 | | | | |
| | | BLUE | 48 | 1 | W/ STORAGE BOX 2-SEATER LX PKG, SPT PKG SE | | |
| | | | FB01-68-69X | | | | |
| | | | FB03-68-69X | | | | |
| | | GRAY | 07 | | | | |
| | | RED | 10 | 1 | | | |
| | | BLUE | 48 | | | | |
| | | | 48 | | | | |

6860A-3 FLOOR MATS & PADS (COUPE) (W/O TURBO)



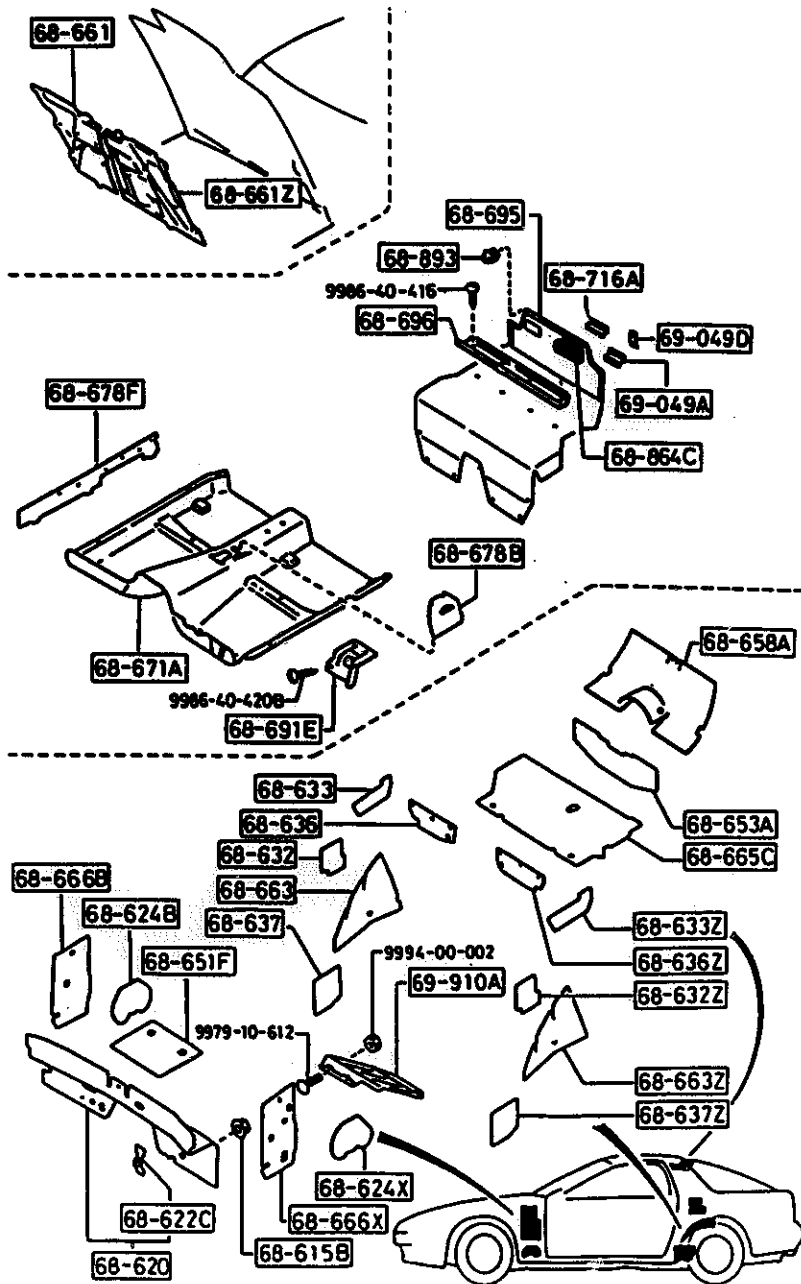
| ITEM NO. | D-CODE | DESCRIPTION | PART NO. | QTY | MODEL/DESCRIPTION | REMARKS |
|----------|---------|-----------------------|--------------|-----|--------------------|---------|
| 68 695 | (CONTD) | | FB07-68-69X | 1 | GXL | |
| | | GRAY | 07 | | | |
| | | RED | 10 | | | |
| | | BLUE | 48 | | | |
| 68 696 | | PLATE, MAT SET | FB01-68-696 | 1 | 2 SEATER | |
| | | DARK GRAY | 07 | | | |
| | | RED | 10 | | | |
| | | BLUE | 48 | | | |
| | | | FB09-68-696B | 1 | 2 2 | |
| | | DARK GRAY | 07 | | | |
| | | RED | 10 | | | |
| | | BLUE | 48 | | | |
| 68 716A | | NUT, SPEED | FB03-68-862 | 2 | | |
| 68 864C | | GRILLE, EXTRACT | FB01-68-864 | 2 | FOR TEMPORARY TIRE | |
| | | DARK GRAY | 07 | | | |
| | | RED | 10 | | | |
| | | BLUE | 48 | | | |
| 68 893 | | LATCH, TRUNK END TRIM | FB01-68-893 | 2 | | |
| | | DARK GRAY | 07 | | | |
| | | RED | 10 | | | |
| | | BLUE | 48 | | | |
| 69 049A | | NUT, SPEED | FB04-68-862 | 2 | | |
| 69 049D | | NUT, SPEED | FB05-68-862 | 4 | | |
| 69 910A | | SUPPORT, FOOT | FB01-69-697A | 1 | | |

SECTION INDEX -- BODY

| STARTING LOCATION | SECT. NO. | SECTION NAME | STARTING LOCATION | SECT. NO. | SECTION NAME | STARTING LOCATION | SECT. NO. | SECTION NAME |
|-------------------|-----------|---|-------------------|-----------|--------------------------------------|-------------------|-----------|--------------|
| 3 - C 3 | 6682 | AUDIO SYSTEMS (ANTENNA & SPEAKER) | 3 - E 6 | 6860AB | FLOOR MATS & PADS (CONVERTIBLE) | | | |
| 3 - F 3 | 6684 | AUDIO SYSTEMS (NOISE SUPPRESSOR & GROUND CORD) | 3 - G 6 | 6865A | TRIM CLIPS & FASTENERS (COUPE) | | | |
| 3 - G 3 | 6700 | WIRING HARNESSSES (FRONT & REAR) (COUPE) (W/O ANTI-LOCK BRAKE SYSTEM) | 3 - H 6 | 6865AA | TRIM CLIPS & FASTENERS (CONVERTIBLE) | | | |
| 3 - H 3 | 6700A | WIRING HARNESSSES (FRONT & REAR) (COUPE) (ANTI-LOCK BRAKE SYSTEM) | 3 - J 6 | 6870 | SERVICE TOOLS | | | |
| 3 - I 3 | 6700B | WIRING HARNESSSES (FRONT & REAR) (CONVERTIBLE) | | | | | | |
| 3 - J 3 | 6701 | WIRING HARNESSSES (ENGINE & T/MISSION) (COUPE) (W/O ANTI-LOCK BRAKE SYSTEM) | 3 - C 7 | 6900A | VISORS, ASSIST HANDLES & MIRRORS | | | |
| 3 - K 3 | 6701A | WIRING HARNESSSES (ENGINE & T/MISSION) (COUPE) (ANTI-LOCK BRAKE SYSTEM) | 3 - H 7 | 6930 | CAUTION PLATES & LABELS | | | |
| 3 - L 3 | 6701B | WIRING HARNESSSES (ENGINE & T/MISSION) (CONVERTIBLE) | 3 - J 7 | 7250 | QUARTER WINDOW & TRIMS | | | |
| 3 - M 3 | 6702 | WIRING HARNESSSES (DASHBOARD) (COUPE) (W/O ANTI-LOCK BRAKE SYSTEM) | 3 - K 7 | 7800 | SPOILERS & RELATED PARTS | | | |
| 3 - N 3 | 6702A | WIRING HARNESSSES (DASHBOARD) (COUPE) (ANTI-LOCK BRAKE SYSTEM) | 3 - L 7 | 7900 | ACCESSORIES-CONSOLE LID | | | |
| 3 - C 4 | 6702B | WIRING HARNESSSES (DASHBOARD) (CONVERTIBLE) | | | | | | |
| 3 - D 4 | 6703 | WIRING HARNESSSES (DOOR, FLOOR/CEILING) | | | | | | |
| 3 - E 4 | 6704 | WIRING HARNESS CLAMPS | | | | | | |
| 3 - G 4 | 6720 | WINDSHIELD WASHER | | | | | | |
| 3 - I 4 | 6730 | WINDSHIELD WIPERS | | | | | | |
| 3 - J 4 | 6740 | WIPER MOTOR COMPONENTS (FRONT) | | | | | | |
| 3 - K 4 | 6750 | WINDOW WIPER & WASHER (REAR) (COUPE) | | | | | | |
| 3 - L 4 | 6760 | WINDOW WIPER MOTOR COMPONENTS (REAR) (COUPE) | | | | | | |
| 3 - M 4 | 6800A | CEILING TRIMS (COUPE) | | | | | | |
| 3 - N 4 | 6800AB | CEILING TRIMS (CONVERTIBLE) | | | | | | |
| 3 - C 5 | 6810 | ROLLBAR (CONVERTIBLE) | | | | | | |
| 3 - D 5 | 6820A | PILLAR TRIMS (COUPE) | | | | | | |
| 3 - E 5 | 6820AA | PILLAR TRIMS (CONVERTIBLE) | | | | | | |
| 3 - F 5 | 6840A | TRIMS & SCUFF PLATES (COUPE) | | | | | | |
| 3 - J 5 | 6840AB | TRIMS & SCUFF PLATES (CONVERTIBLE) | | | | | | |
| 3 - K 5 | 6845 | STORAGE BOX (2-SEATER) | | | | | | |
| 3 - L 5 | 6860A | FLOOR MATS & PADS (COUPE) (W/O TURBO) | | | | | | |
| 3 - C 6 | 6860AA | FLOOR MATS & PADS (COUPE) (TURBO) | | | | | | |

3 - B 6

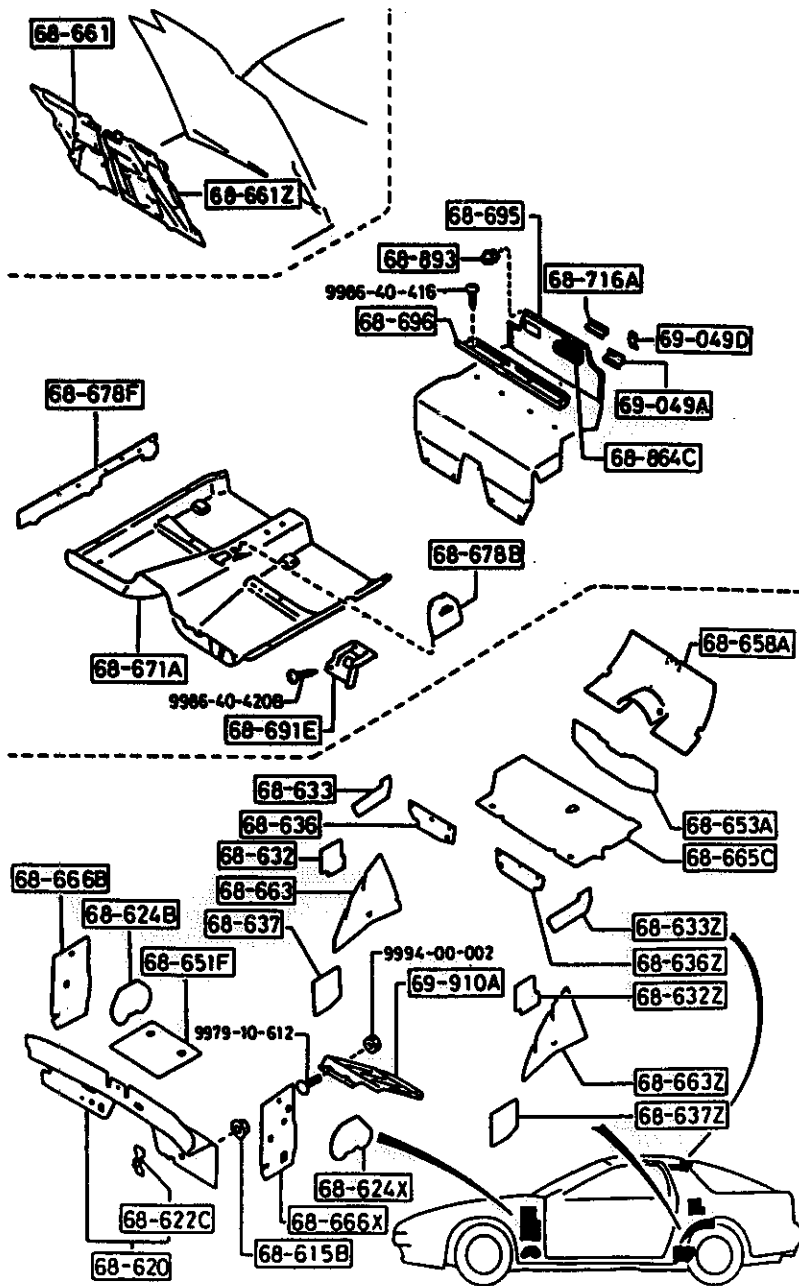
**6860AA-1 FLOOR MATS & PADS
(COUPE) (TURBO)**



| ITEM NO. | D-CODE | DESCRIPTION | PART NO. | QTY | MODEL/DESCRIPTION | REMARKS |
|----------|--------|-------------------------------------|--------------|-----|-------------------|---------|
| 68 615B | | NUT, FLANGE-CAP | 6100-68-615 | 13 | | |
| 68 620 | | INSULATOR, DASHBOARD | FB04-68-620A | 1 | | |
| 68 622C | | CLIP, DASHBOARD INSULATOR | FB01-68-622 | 4 | | |
| 68 624B | | COVER (R), HOLE-DASHBOARD INSULATOR | FB01-68-624 | 1 | | |
| 68 624X | | COVER (L), HOLE-DASHBOARD INSULATOR | FB01-68-625 | 1 | | |
| 68 632 | | COVER (R), RETRACTOR | FB01-68-632 | 1 | | |
| 68 632Z | | COVER (L), RETRACTOR-REAR | FB01-68-642 | 1 | | |
| 68 633 | | COVER (R), QUARTER PILLAR | FB01-68-633 | 1 | | |
| 68 633Z | | COVER (L), QUARTER PILLAR | FB01-68-643 | 1 | | |
| 68 636 | | INSULATOR (R), CROSS MEMBER | FB01-68-636A | 1 | | 7701- |
| 68 636Z | | INSULATOR (L), CROSS MEMBER | FB01-68-646A | 1 | | 7701- |
| 68 637 | | COVER (R), RETRACTOR-FRONT | FB01-68-637 | 1 | | |
| 68 637Z | | COVER (L), RETRACTOR-FRONT | FB01-68-647 | 1 | | |
| 68 651F | | PAD, FRONT FLOOR | FB01-68-652 | 1 | | |
| 68 653A | | INSULATOR, SPARE TIRE | FB01-68-653 | 1 | | |
| 68 658A | | PAD, STORAGE BOX | FB03-68-658 | 1 | | |
| 68 661 | | INSULATOR (R), HOOD | F046-68-661B | 1 | | |
| 68 661Z | | INSULATOR (L), HOOD | F046-68-662A | 1 | | |
| 68 663 | | INSULATOR (R), TIRE HOUSING | FB03-68-663 | 1 | | |
| 68 663Z | | INSULATOR (L), TIRE HOUSING | FB03-68-664 | 1 | | |
| 68 665C | | PAD, TRUNK | FB03-68-668 | 1 | | |
| 68 666B | | PAD (R), SIDE-DASHBOARD | FB03-68-666A | 1 | | |
| 68 666X | | PAD (L), SIDE-DASHBOARD | FB03-68-667A | 1 | | |
| 68 671A | | MAT, FLOOR | FB04-68-671C | 1 | | -7701 |
| | | GRAY | 07 | | | |
| | | RED | 10 | | | |
| | | BLUE | 48 | | | |
| | | | FB05-68-671A | 1 | | 7701- |
| | | GRAY | 07 | | | |
| | | RED | 10 | | | |
| | | BLUE | 48 | | | |
| 68 678B | | MAT, PARKING BRAKE | FB02-68-673 | 1 | | -7701 |
| | | GRAY | 07 | | | |
| | | RED | 10 | | | |
| | | BLUE | 48 | | | |
| | | | FB67-68-673 | 1 | | 7701- |
| | | DARK GRAY | 07 | | | |
| | | RED | 10 | | | |
| | | BLUE | 48 | | | |
| 68 678F | | GUARD, HARNESS-FRONT | FB01-68-678A | 2 | | |

7701 FC33* -550169

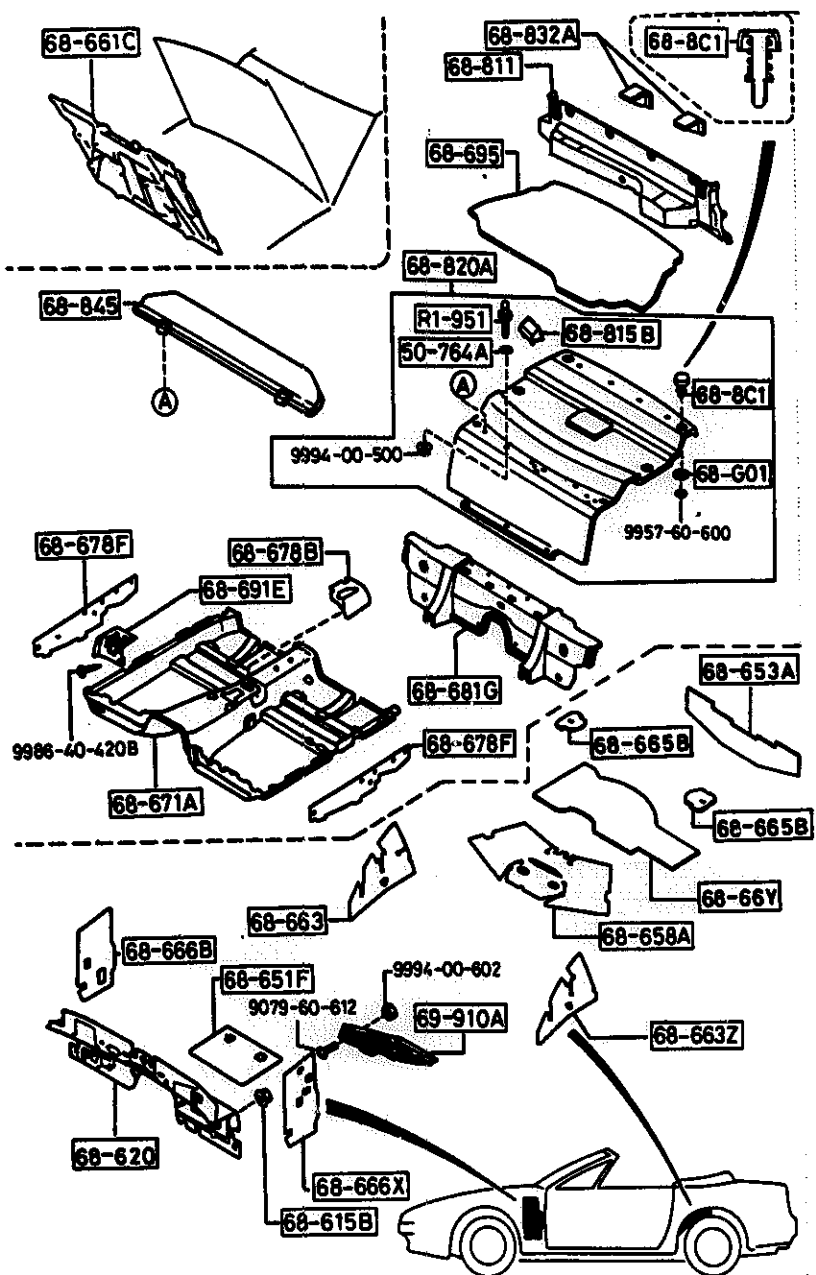
**6860AA-2 FLOOR MATS & PADS
(COUPE) (TURBO)**



| ITEM NO. | D-CODE | DESCRIPTION | PART NO. | QTY | MODEL/DESCRIPTION | REMARKS |
|----------|--------|-------------------------|--------------|-----|--------------------|---------|
| 68 691E | | COVER, OPENER-FLOOR MAT | FB01-68-691D | 1 | | |
| | | DARK GRAY | 09 | | | |
| | | RED | 10 | | | |
| | | BLUE | 48 | | | |
| 68 695 | | MAT, TRUNK ROOM | FB07-68-69X | 1 | W/ STORAGE BOX | -7701 |
| | | GRAY | 07 | | | |
| | | RED | 10 | | | |
| | | BLUE | 48 | | | |
| 68 696 | | PLATE, MAT SET | FB01-68-696 | 1 | | |
| | | DARK GRAY | 07 | | | |
| | | RED | 10 | | | |
| | | BLUE | 48 | | | |
| 68 716A | | NUT, SPEED | FB03-68-862 | 2 | | |
| 68 864C | | GRILLE, EXTRACT | FB01-68-864 | 2 | FOR TEMPORARY TIRE | |
| | | DARK GRAY | 07 | | | |
| | | RED | 10 | | | |
| | | BLUE | 48 | | | |
| 68 893 | | LATCH, TRUNK END TRIM | FB01-68-893 | 2 | | |
| | | DARK GRAY | 07 | | | |
| | | RED | 10 | | | |
| | | BLUE | 48 | | | |
| 69 049A | | NUT, SPEED | FB04-68-862 | 2 | | |
| 69 049D | | NUT, SPEED | FB05-68-862 | 4 | | |
| 69 910A | | SUPPORT, FOOT | FB01-69-697A | 1 | | |

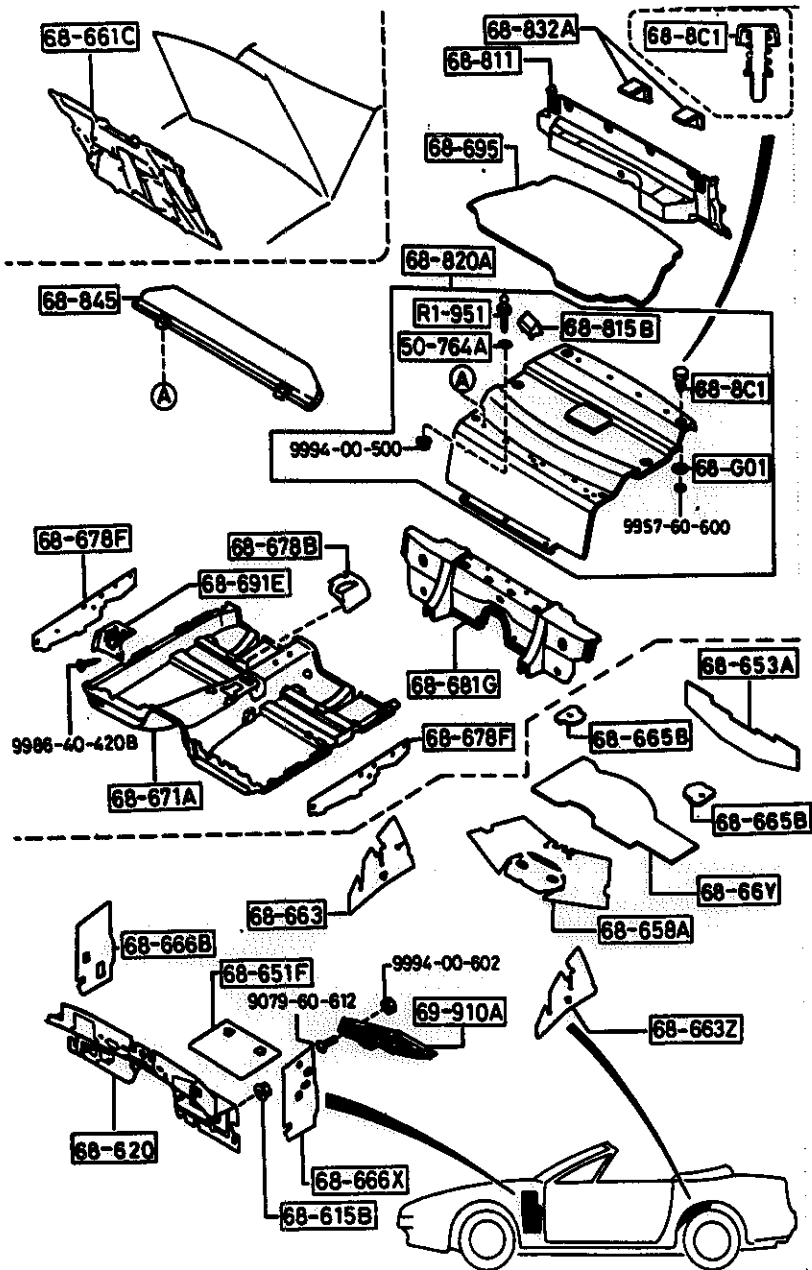
7701 FC33* -550169

**6860AB-1 FLOOR MATS & PADS
(CONVERTIBLE)**



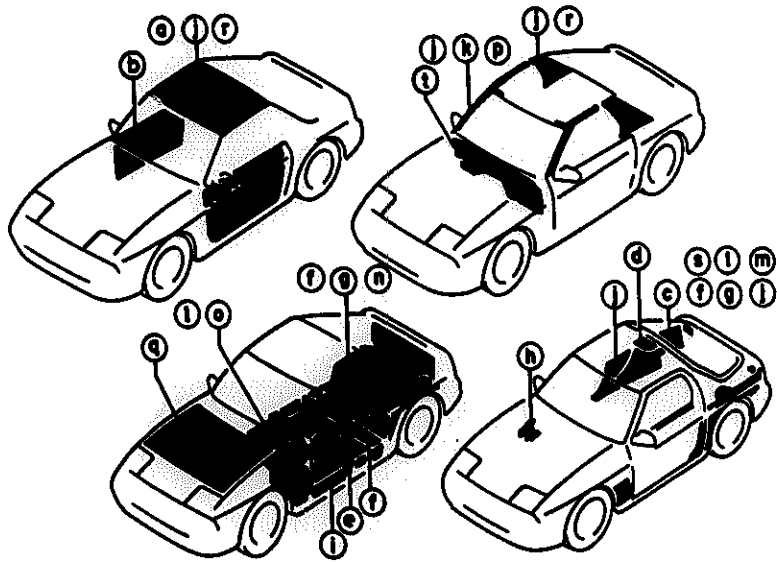
| ITEM NO. | D-CODE | DESCRIPTION | PART NO. | QTY | MODEL/DESCRIPTION | REMARKS |
|----------|--------|-----------------------------|--------------|-----|-------------------|---------|
| 50 | 764A | WASHER, COVER-SPARE TIRE | FB67-50-764A | 2 | | |
| 68 | 615B | NUT, FLANGE-CAP | B100-68-615 | 11 | | |
| 68 | 620 | INSULATOR, DASHBOARD | FB67-68-620 | 1 | | |
| 68 | 651F | PAD, FRONT FLOOR | FB01-68-652 | 1 | | |
| 68 | 653A | INSULATOR, SPARE TIRE | FB01-68-653 | 1 | | |
| 68 | 658A | PAD, STORAGE BOX | FB67-68-658 | 1 | | |
| 68 | 661C | INSULATOR, BONNET | FB03-68-661A | 1 | | |
| 68 | 663 | INSULATOR (R), TIRE HOUSING | FB01-68-663 | 1 | | |
| 68 | 663Z | INSULATOR (L), TIRE HOUSING | FB01-68-664 | 1 | | |
| 68 | 665B | PAD, SUSPENSION | FB67-68-665 | 2 | | |
| 68 | 666B | PAD (R), SIDE-DASHBOARD | FB03-68-666A | 1 | | |
| 68 | 666X | PAD (L), SIDE-DASHBOARD | FB03-68-667A | 1 | | |
| 68 | 66Y | PAD, FLOOR-REAR | FB67-68-66Y | 1 | | |
| 68 | 671A | MAT, FLOOR | FB67-68-671 | 1 | | |
| | | GRAY | 07 | | | |
| | | BLUE | 48 | | | |
| 68 | 678B | MAT, PARKING BRAKE | FB67-68-673 | 1 | | |
| | | DARK GRAY | 07 | | | |
| | | RED | 10 | | | |
| | | BLUE | 48 | | | |
| 68 | 678F | GUARD, HARNESS-FRONT | FB67-68-678 | 2 | | |
| 68 | 681G | MAT, END-TRUNK ROOM | FB67-68-681 | 1 | | |
| | | GRAY | 07 | | | |
| | | BLUE | 48 | | | |
| 68 | 691E | COVER, OPENER-FLOOR MAT | FB01-68-691D | 1 | | |
| | | DARK GRAY | 09 | | | |
| | | RED | 10 | | | |
| | | BLUE | 48 | | | |
| 68 | 695 | MAT, TRUNK ROOM | FB67-68-831B | 1 | | |
| | | GRAY/DARK GRAY | 07 | | | |
| 68 | 811 | BOARD, PARTITION | FB67-68-821A | 1 | | |
| | | DARK GRAY | 07 | | | |
| 68 | 815B | RUBBER, CUSHION | FB67-68-815 | 2 | | |
| 68 | 820A | COVER, SPARE TIRE | FB67-68-810C | 1 | | |
| | | GRAY | 07 | | | |
| | | BLUE | 48 | | | |
| 68 | 832A | BRACKET, TRUNK BOARD | FB67-68-832 | 2 | | |
| 68 | 845 | BLOCKER, WIND | FB67-68-845 | 1 | | |
| | | DARK GRAY | 07 | | | |
| | | BLUE | 48 | | | |
| 68 | 8C1 | FASTENER, TAPPING | FB67-68-8C1 | 6 | | |

**6860AB-2 FLOOR MATS & PADS
(CONVERTIBLE)**



| ITEM NO. | D-CODE | DESCRIPTION | PART NO. | QTY | MODEL/DESCRIPTION | REMARKS |
|--------------------|--------|---------------------------|--------------|-----|-------------------|---------|
| 68 8C1 (CONT'D) | | DARK GRAY | 09 | | | |
| 69 910A | | SUPPORT, FOOT | FB01-69-697A | 1 | | |
| 76 071 | | SILENCER, FLOOR | 0208-76-071 | 2 | | |
| R1 951 | | HOOK 'A', HOOD COVER-REAR | B235-R1-951C | 2 | | |

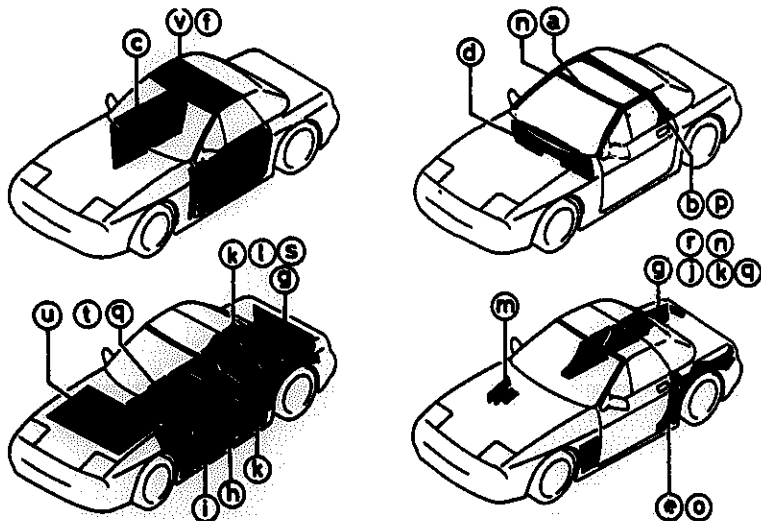
6865A-1 TRIM CLIPS & FASTENERS (COUPE)



| | | | | |
|----------------------|----------------------|----------------------|---------------------------------------|----------------------|
| a 68-042B | b 68-40I | c 68-852 | d 68-865 (8040-68-865A) | e 68-855C |
| f 68-865C | g 68-865D | h 68-865E | i 68-865 (8003-68-865) | j 68-865N |
| k 68-866A | l 68-866C | m 68-866E | n 68-866F | o 68-866J |
| p 68-866Y | q 68-885 | r 69-885C | s 8957-30-600 | t 68-822C |

| ITEM NO. | D-CODE | DESCRIPTION | PART NO. | QTY | MODEL/DESCRIPTION | REMARKS |
|----------|--------|---------------------------|--------------|-----|-------------------|---------|
| 68 042B | | CLIP, GARNISH | FB01-68-042 | 5 | | |
| 68 40I | | FASTENER, DOOR TRIM | B100-68-40I | 18 | | |
| 68 622C | | CLIP, DASHBOARD INSULATOR | FB01-68-622 | 4 | | |
| 68 852 | | FASTNER, TURN-SIDE LID | FB01-68-852 | 3 | | |
| 68 855C | | FASTENER | G043-68-865B | 1 | | |
| | | DARK GRAY | 09 | | | |
| | | RED | 11 | | | |
| | | BLUE | 48 | | | |
| 68 865 | | FASTENER | B040-68-865A | 4 | | |
| | | DARK GRAY | 09 | | | |
| | | RED | 11 | | | |
| | | BLUE | 48 | | | |
| | | GRAY | 96 | | | |
| 68 865C | | FASTENER | G032-68-865A | 24 | | |
| | | DARK GRAY | 09 | | | |
| | | RED | 11 | | | |
| | | BLUE | 48 | | | |
| 68 865D | | FASTENER | S083-68-865A | 20 | | |
| | | DARK GRAY | 09 | | | |
| | | RED | 11 | | | |
| | | BLUE | 48 | | | |
| 68 865E | | FASTENER | S049-68-865 | 6 | | |
| | | BLACK | 00 | | | |
| | | GRAY | 09 | | | |
| | | RED | 10 | | | |
| | | BLUE | 48 | | | |
| 68 865F | | FASTENER | B003-68-865 | 13 | | |
| | | OFF-BLACK | 65 | | | |
| 68 865N | | CLIP, TRIM | H002-68-865 | 38 | | |
| 68 866A | | CLIP (R), TRIM | H003-68-865 | 2 | | |
| 68 866C | | FASTENER, SEAL | B235-68-865A | 9 | | |
| 68 866E | | FASTENER, SEAL | 0187-58-922 | 2 | | |
| 68 866F | | FASTENER, SEAL | G031-68-866B | 4 | | |
| 68 866J | | FASTENER, SEAL | FB01-68-866 | 1 | | |
| 68 866Y | | CLIP (L), TRIM | H003-68-866 | 2 | | |
| 68 885 | | FASTENER | G030-68-885B | 16 | | |
| | | BLACK | 00 | | | |
| 69 885C | | FASTENER | UB54-68-885 | 8 | | |
| | | BLACK | 00 | | | |
| | | DARK GRAY | 07 | | | |
| | | BLUE | 48 | | | |

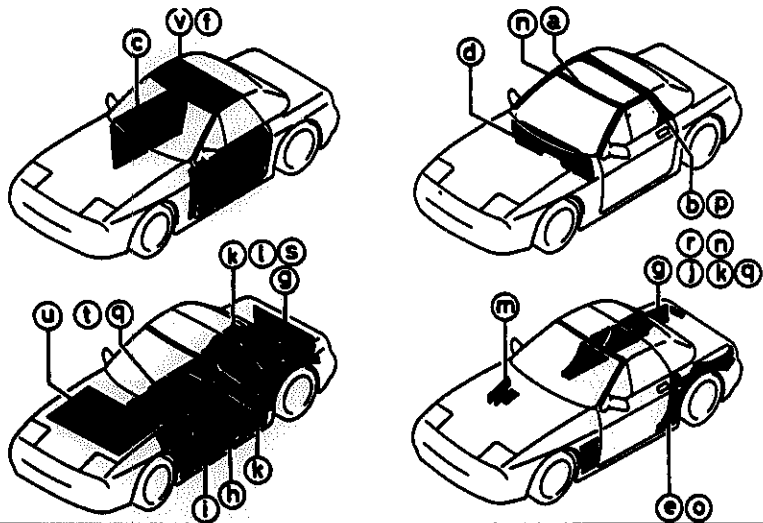
6865AA-1 TRIM CLIPS & FASTENERS (CONVERTIBLE)




















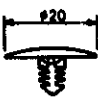



| | | | | |
|----------------------|----------------------|----------------------|--------------------------------------|--------------------------------------|
| a 68-053D | b 68-285 | c 68-401 | d 68-622C | e 68-675 |
| f 68-8X2 | g 68-852 | h 68-855C | i 68-865 (8003-88-865) | j 68-865 (F867-68-865) |
| k 68-865C | l 68-865D | m 68-865E | n 68-865N | |
| p 68-865S | q 68-866C | r 68-866E | s 68-866F | t 68-866J |
| u 68-885 | v 69-885C | | | |

| ITEM NO. | D-CODE | DESCRIPTION | PART NO. | QTY | MODEL/DESCRIPTION | REMARKS |
|----------|--------|---------------------------|--------------|-----|-------------------|---------|
| 68 053D | | CLIP, RR. PILLAR TRIM | B100-68-279 | 8 | | |
| 68 285 | | FASTENER, HINGE COVER | FB67-68-285 | 2 | | |
| | | GRAY | 07 | | | |
| | | BLUE | 48 | | | |
| 68 401 | | FASTENER, DOOR TRIM | B100-68-401 | 16 | | |
| 68 622C | | CLIP, DASHBOARD INSULATOR | FB01-68-622 | 5 | | |
| 68 675 | | FASTENER | B100-68-675 | 2 | | |
| | | DARK GRAY | 07 | | | |
| | | BLUE | 48 | | | |
| 68 812 | | FASTENER, TIRE COVER | FB67-68-812 | 6 | | |
| 68 852 | | FASTENER, TURN-SIDE LID | FB01-68-852 | 2 | | |
| 68 855C | | FASTENER | G043-68-865B | 1 | | |
| | | DARK GRAY | 09 | | | |
| | | RED | 11 | | | |
| | | BLUE | 48 | | | |
| 68 865 | | FASTENER | B003-68-865 | 11 | | |
| | | OFF-BLACK | 65 | | | |
| | | | FB67-68-865 | 17 | | |
| | | GRAY | 09 | | | |
| 68 865C | | FASTENER | G032-68-865A | 23 | | |
| | | DARK GRAY | 09 | | | |
| | | RED | 11 | | | |
| | | BLUE | 48 | | | |
| 68 865D | | FASTENER | S083-68-865A | 12 | | |
| | | DARK GRAY | 09 | | | |
| | | RED | 11 | | | |
| | | BLUE | 48 | | | |
| 68 865E | | FASTENER | S049-68-865 | 10 | | |
| | | BLACK | 00 | | | |
| | | GRAY | 09 | | | |
| | | RED | 10 | | | |
| | | BLUE | 48 | | | |
| 68 865N | | CLIP, TRIM | H002-68-865 | 16 | | |
| 68 865Q | | FASTENER | GJ21-68-885A | 6 | | |
| | | GRAY | 07 | | | |
| | | BLUE | 48 | | | |
| 68 865S | | CLIP, TRIM | GJ12-68-865 | 6 | | |
| 68 866C | | FASTENER, SEAL | B235-68-865A | 12 | | |
| 68 866E | | FASTENER, SEAL | D187-58-922 | 2 | | |
| 68 866F | | FASTENER, SEAL | G031-68-866B | 2 | | |
| 68 866J | | FASTENER, SEAL | FB01-68-866 | 1 | | |

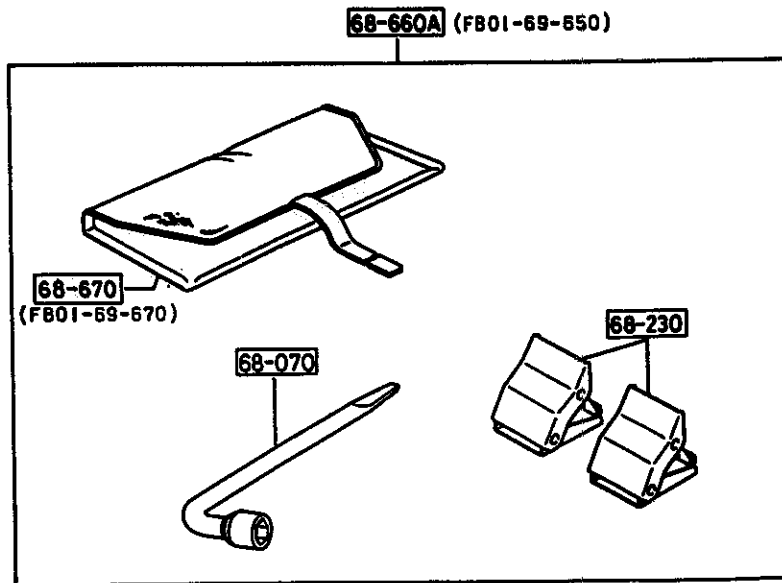
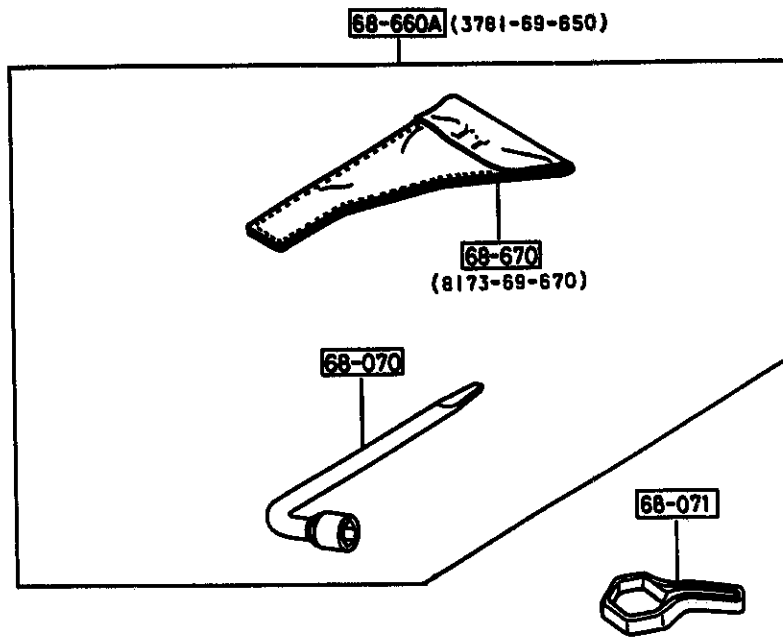
**6865AA-2 TRIM CLIPS & FASTENERS
(CONVERTIBLE)**



| | | | | |
|---|---|---|--|--|
| a 68-053D  | b 68-285  | c 68-401  | d 68-622C  | e 68-675  |
| f 68-8X2  | g 68-852  | h 68-855C  | i 68-865 (8003-68-865)  | l 68-865 (F867-68-865)  |
| k 68-865C  | l 68-865D  | m 68-865E  | n 68-865N  | |
| p 68-865S  | q 68-866C  | r 68-866E  | s 68-866F  | t 68-866J  |
| u 68-885  | v 69-885C  | | | |

| ITEM NO. | D-CODE | DESCRIPTION | PART NO. | QTY | MODEL/DESCRIPTION | REMARKS |
|----------|--------|--|-------------------------------|-----|-------------------|---------|
| 68 885 | | FASTENER BLACK | G030-68-885B 00 | 16 | | |
| 69 885C | | FASTENER BLACK DARK GRAY BLUE | UB54-68-885 00 07 48 | 4 | | |

6870-1 SERVICE TOOLS



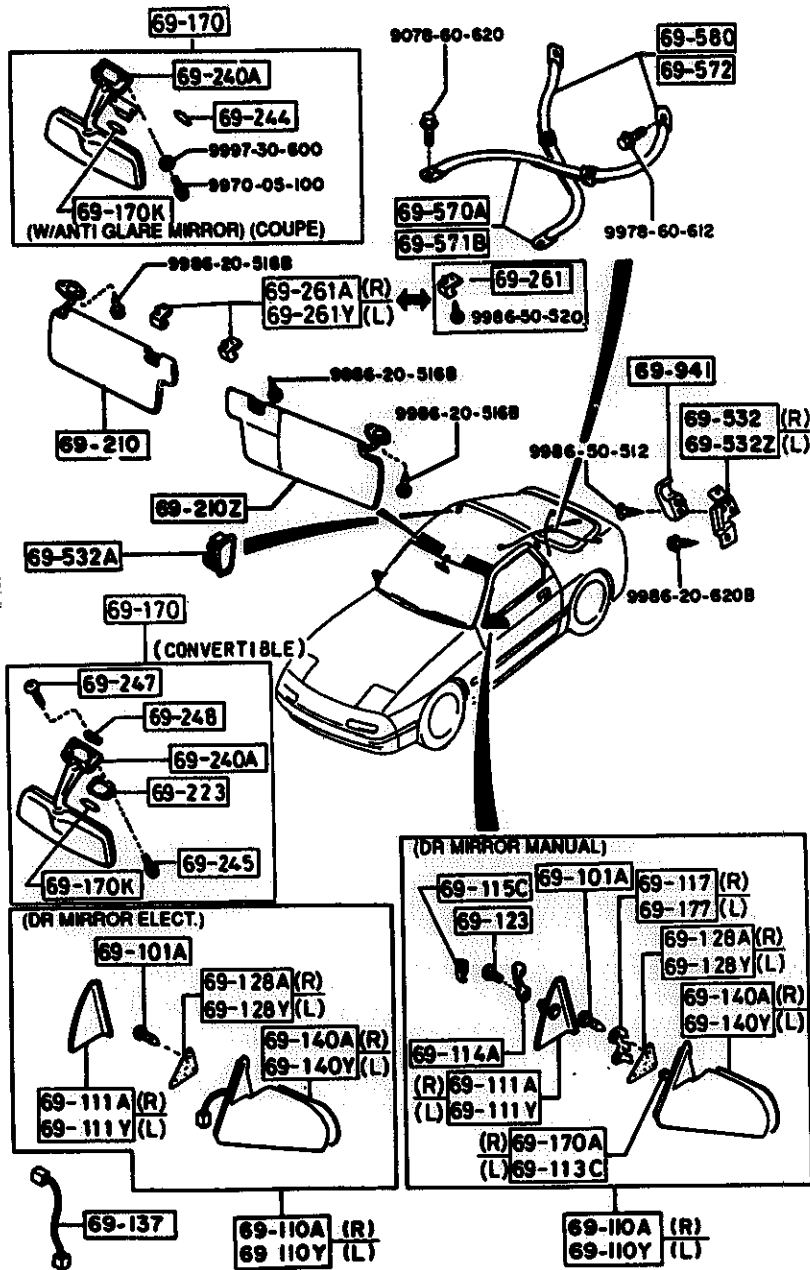
| ITEM NO. | D-CODE | DESCRIPTION | PART NO. | QTY | MODEL/DESCRIPTION | REMARKS |
|----------|--------|-------------------|--------------|-----|-------------------|---------|
| 68 070 | | WRENCH, HUB NUT | 0810-68-070E | 1 | | |
| 68 071 | | WRENCH, WHEEL CAP | F057-68-071 | 1 | CONV. | |
| 68 230 | | STOPPER, WHEEL | 0208-68-230 | 2 | | |
| 68 660A | | TOOL SET | 3781-69-650 | 1 | | -5801 |
| | | | F801-69-650A | 1 | | 5801- |
| 68 670 | | BAG, TOOL | 8173-69-670 | 1 | | -5801 |
| | | | F801-69-670A | 1 | | 5801- |

5801 FC33* -113629

SECTION INDEX -- BODY

| STARTING LOCATION | SECT. NO. | SECTION NAME | STARTING LOCATION | SECT. NO. | SECTION NAME | STARTING LOCATION | SECT. NO. | SECTION NAME |
|-------------------|-----------|---|-------------------|-----------|--------------------------------------|-------------------|-----------|--------------|
| 3 - C 3 | 6682 | AUDIO SYSTEMS (ANTENNA & SPEAKER) | 3 - G 6 | 6865A | TRIM CLIPS & FASTENERS (COUPE) | | | |
| 3 - F 3 | 6684 | AUDIO SYSTEMS (NOISE SUPPRESSOR & GROUND CORD) | 3 - H 6 | 6865AA | TRIM CLIPS & FASTENERS (CONVERTIBLE) | | | |
| 3 - G 3 | 6700 | WIRING HARNESSSES (FRONT & REAR) (COUPE) (W/O ANTI-LOCK BRAKE SYSTEM) | 3 - J 6 | 6870 | SERVICE TOOLS | | | |
| 3 - H 3 | 6700A | WIRING HARNESSSES (FRONT & REAR) (COUPE) (ANTI-LOCK BRAKE SYSTEM) | 3 - C 7 | 6900A | VISORS, ASSIST HANDLES & MIRRORS | | | |
| 3 - I 3 | 6700B | WIRING HARNESSSES (FRONT & REAR) (CONVERTIBLE) | 3 - H 7 | 6930 | CAUTION PLATES & LABELS | | | |
| 3 - J 3 | 6701 | WIRING HARNESSSES (ENGINE & T/MISSION) (COUPE) (W/O ANTI-LOCK BRAKE SYSTEM) | 3 - J 7 | 7250 | QUARTER WINDOW & TRIMS | | | |
| 3 - K 3 | 6701A | WIRING HARNESSSES (ENGINE & T/MISSION) (COUPE) (ANTI-LOCK BRAKE SYSTEM) | 3 - K 7 | 7800 | SPOILERS & RELATED PARTS | | | |
| 3 - L 3 | 6701B | WIRING HARNESSSES (ENGINE & T/MISSION) (CONVERTIBLE) | 3 - L 7 | 7900 | ACCESSORIES-CONSOLE LID | | | |
| 3 - M 3 | 6702 | WIRING HARNESSSES (DASHBOARD) (COUPE) (W/O ANTI-LOCK BRAKE SYSTEM) | | | | | | |
| 3 - N 3 | 6702A | WIRING HARNESSSES (DASHBOARD) (COUPE) (ANTI-LOCK BRAKE SYSTEM) | | | | | | |
| 3 - C 4 | 6702B | WIRING HARNESSSES (DASHBOARD) (CONVERTIBLE) | | | | | | |
| 3 - D 4 | 6703 | WIRING HARNESSSES (DOOR, FLOOR/CEILING) | | | | | | |
| 3 - E 4 | 6704 | WIRING HARNESS CLAMPS | | | | | | |
| 3 - G 4 | 6720 | WINDSHIELD WASHER | | | | | | |
| 3 - I 4 | 6730 | WINDSHIELD WIPERS | | | | | | |
| 3 - J 4 | 6740 | WIPER MOTOR COMPONENTS (FRONT) | | | | | | |
| 3 - K 4 | 6750 | WINDOW WIPER & WASHER (REAR) (COUPE) | | | | | | |
| 3 - L 4 | 6760 | WINDOW WIPER MOTOR COMPONENTS (REAR) (COUPE) | | | | | | |
| 3 - M 4 | 6800A | CEILING TRIMS (COUPE) | | | | | | |
| 3 - N 4 | 6800AB | CEILING TRIMS (CONVERTIBLE) | | | | | | |
| 3 - C 5 | 6810 | ROLLBAR (CONVERTIBLE) | | | | | | |
| 3 - D 5 | 6820A | PILLAR TRIMS (COUPE) | | | | | | |
| 3 - E 5 | 6820AA | PILLAR TRIMS (CONVERTIBLE) | | | | | | |
| 3 - F 5 | 6840A | TRIMS & SCUFF PLATES (COUPE) | | | | | | |
| 3 - J 5 | 6840AB | TRIMS & SCUFF PLATES (CONVERTIBLE) | | | | | | |
| 3 - K 5 | 6845 | STORAGE BOX (2-SEATER) | | | | | | |
| 3 - L 5 | 6860A | FLOOR MATS & PADS (COUPE) (W/O TURBO) | | | | | | |
| 3 - C 6 | 6860AA | FLOOR MATS & PADS (COUPE) (TURBO) | | | | | | |
| 3 - E 6 | 6860AB | FLOOR MATS & PADS (CONVERTIBLE) | | | | | | |

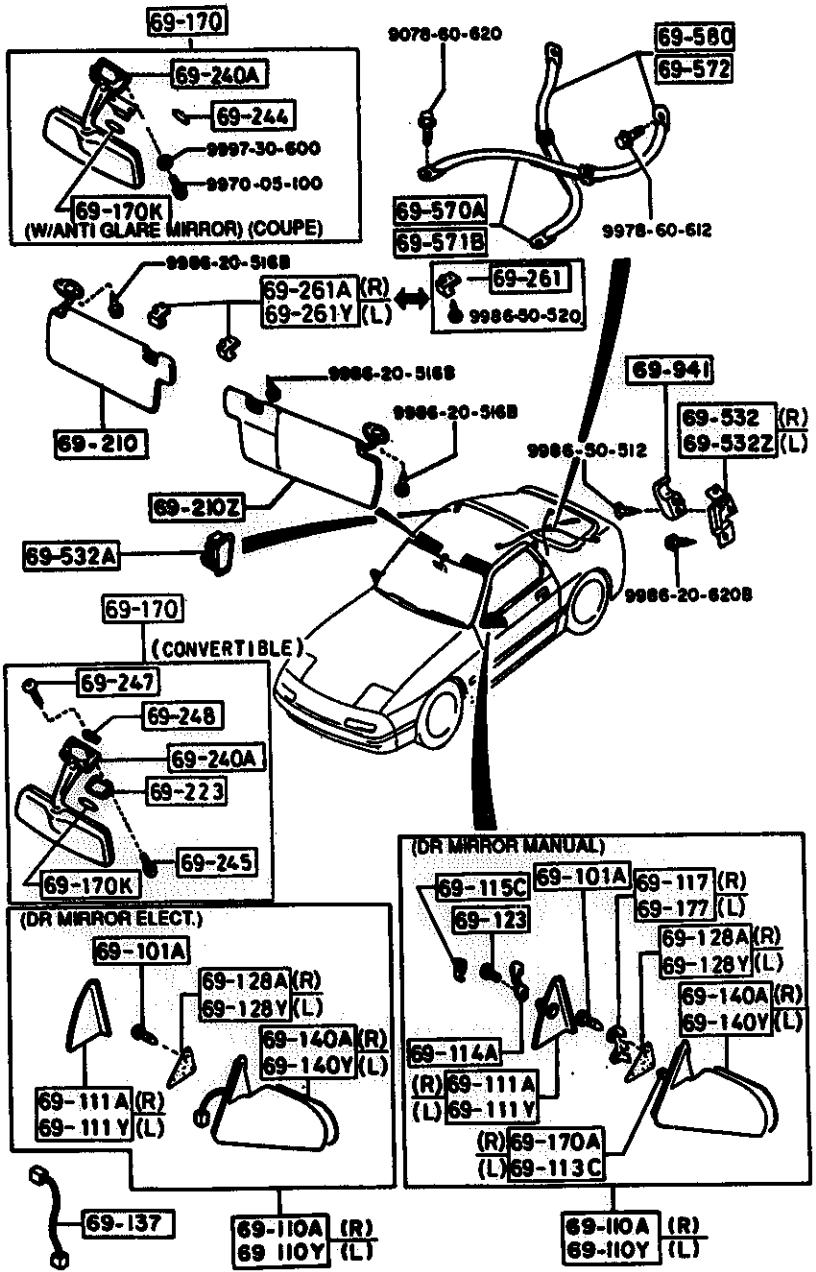
6900A-1 VISORS, ASSIST HANDLES & MIRRORS



| ITEM NO. | D-CODE | DESCRIPTION | PART NO. | QTY | MODEL/DESCRIPTION | REMARKS |
|----------|--------|-------------------------|--------------|-----|--|---------|
| 69 101A | | SCREW, DOOR MIRROR | H140-69-126 | 6 | | -6501 |
| | | | G032-69-126 | 6 | | 6501- |
| 69 110A | | MIRROR (R), DOOR | FB01-69-110A | 1 | BASE, SE, SPORT MANUAL DOOR MIRROR | -6501 |
| | | <C> | FB01-69-110B | 1 | BASE, SE, SPORT MANUAL DOOR MIRROR REQUIRES BRACKET: F044-69-124A | 6501- |
| | | | FB11-69-110C | 1 | GXL ELEC. DOOR MIRROR-BLACK | -6501 |
| | | <C> | FB11-69-110D | 1 | GXL ELEC. DOOR MIRROR-BLACK REQUIRES BRACKET: F044-69-124A | 6501- |
| | | | FB45-69-110 | 1 | '87 TURBO ELEC. DOOR MIRROR-BODY COLOR | -6501 |
| | | ARCTIC SILVER METALLIC | J5 | | | |
| | | TORNADO SILVER METALLIC | K8 | | | |
| | | PURE RED | NP | | | |
| | | BRILLIANT BLACK | PZ | | | |
| | | DOVER WHITE | WU | | | |
| | | SATIN GOLD METALLIC | 1A | | | |
| | | ROYAL MAROON METALLIC | 3A | | | |
| | | SAPPHIRE BLUE METALLIC | 5A | | | |
| | | <C> | FB45-69-110A | 1 | '88 SPORT, GTU, TURBO, CONV. ELEC. DOOR MIRROR-BODY COLOR | 6501- |
| | | ARCTIC SILVER METALLIC | J5 | | | |
| | | TORNADO SILVER METALLIC | K8 | | | |
| | | BRILLIANT BLACK | PZ | | | |
| | | SUNRISE RED | RH | | | |
| | | CRYSTAL WHITE | UC | | | 7701- |
| | | NOBLE WHITE | WY | | | |
| | | SATIN GOLD METALLIC | 1A | | | |
| | | CLARET METALLIC | 2H | | | |
| | | SAPPHIRE BLUE METALLIC | 5A | | | |
| 69 110Y | | MIRROR (L), DOOR | FB01-69-170A | 1 | BASE, SE, SPORT MANUAL DOOR MIRROR | -6501 |
| | | <C> | FB01-69-170B | 1 | BASE, SE, SPORT MANUAL DOOR MIRROR REQUIRES BRACKET: F044-69-184A | 6501- |

6501 FC33* -146093
7701 FC33* -550169

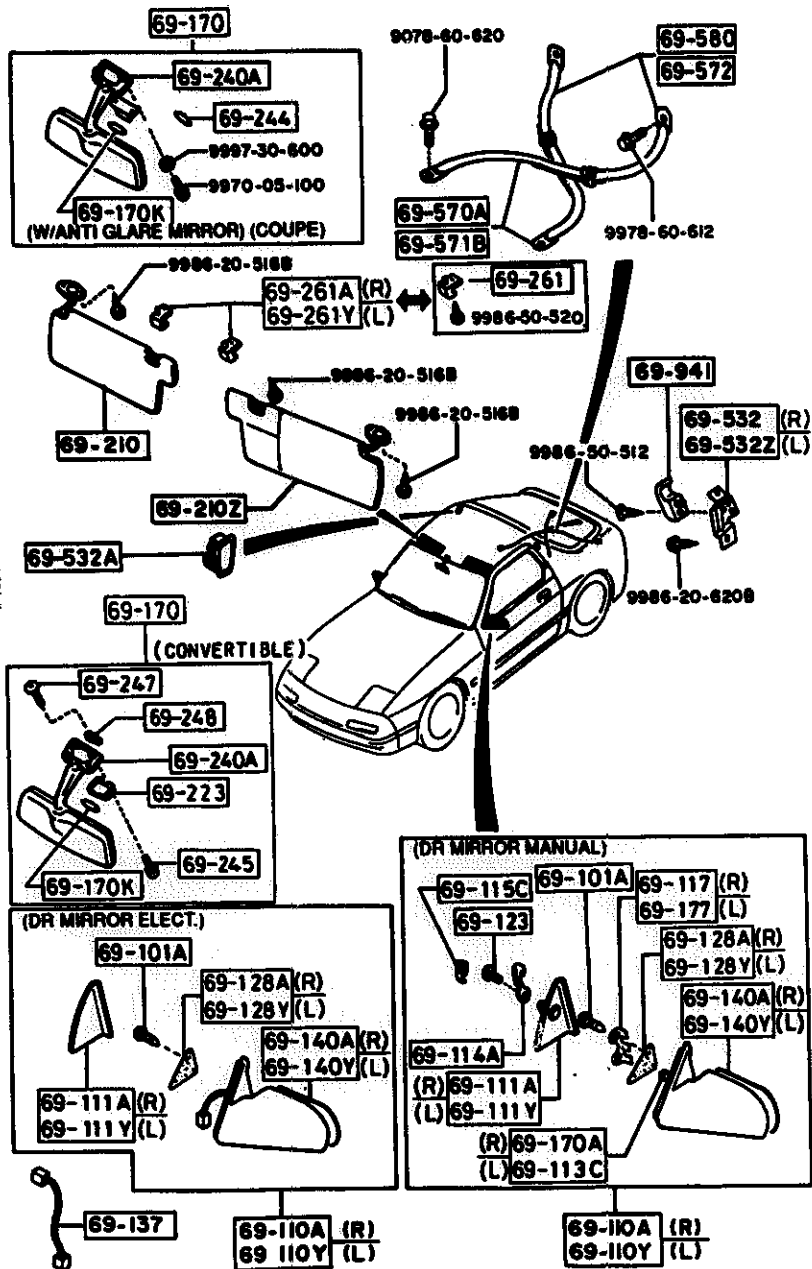
6900A-2 VISORS, ASSIST HANDLES & MIRRORS



| ITEM NO. | D-CODE | DESCRIPTION | PART NO. | QTY | MODEL/DESCRIPTION | REMARKS |
|------------------|--------|-------------------------|--------------|-----|---|---------|
| 69 110Y (CONT'D) | | | FB11-69-170C | 1 | GXL | -6501 |
| | | | FB11-69-170D | 1 | ELEC. DOOR MIRROR-BLACK | 6501- |
| | | MIRROR (L), DOOR | FB45-69-170 | 1 | GXL ELEC. DOOR MIRROR-BLACK REQUIRES BRACKET: F044-69-184A | |
| | | | | | '87 TURBO ELEC. DOOR MIRROR-BODY COLOR REQ. BRACKET: F044-69-184A | -6501 |
| | | ARCTIC SILVER METALLIC | J5 | | | |
| | | TORNADO SILVER METALLIC | K8 | | | |
| | | PURE RED | NP | | | |
| | | BRILLIANT BLACK | PZ | | | |
| | | DOVER WHITE | WU | | | |
| | | SATIN GOLD METALLIC | 1A | | | |
| | | ROYAL MAROON METALLIC | 3A | | | |
| | | SAPPHIRE BLUE METALLIC | 5A | | | |
| | | | FB45-69-170A | 1 | '88 SPORT. GTU, TURBO, CONV. ELEC. DOOR MIRROR-BODY COLOR | 6501- |
| | | ARCTIC SILVER METALLIC | J5 | | | |
| | | TORNADO SILVER METALLIC | K8 | | | |
| | | BRILLIANT BLACK | PZ | | | |
| | | SUNRISE RED | RH | | | |
| | | CRYSTAL WHITE | UC | | | |
| | | NOBLE WHITE | WY | | | |
| | | SATIN GOLD METALLIC | 1A | | | |
| | | CLARET METALLIC | 2H | | | |
| | | SAPPHIRE BLUE METALLIC | 5A | | | 7701- |
| 69 111A | | GARNISH (R), SAIL-INNER | F044-69-112A | 1 | BASE, SE, SPORT MANUAL DOOR MIRROR | |
| | | | F045-69-112A | 1 | '88 SPORT. GTU, GXL, CONV. ELEC. DOOR MIRROR | |
| 69 111Y | | GARNISH (L), SAIL-INNER | F044-69-172A | 1 | BASE, SE, SPORT MANUAL DOOR MIRROR | |
| | | | F045-69-172A | 1 | '88 SPORT. GTU, GXL, CONV. ELEC. DOOR MIRROR | |
| 69 113C | | LEVER, DOOR MIRROR | FB01-69-173 | 1 | BASE, SE, SPORT MANUAL DOOR MIRROR | |

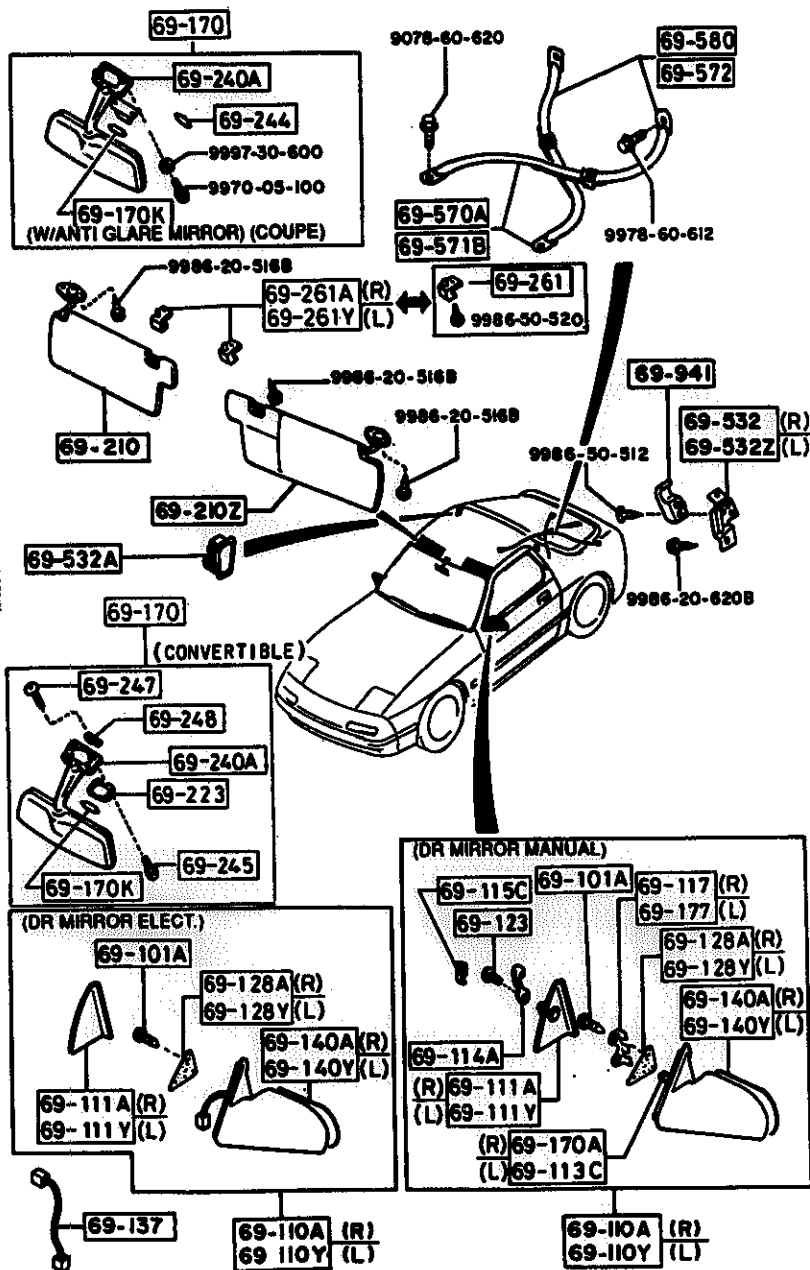
6501 FC33* -146093
7701 FC33* -550169

6900A-3 VISORS, ASSIST HANDLES & MIRRORS



| ITEM NO. | D-CODE | DESCRIPTION | PART NO. | QTY | MODEL/DESCRIPTION | REMARKS |
|----------|--------|--------------------------------|--------------|-----|--|---------|
| 69 114A | | KNOB 'A', DOOR MIRROR | B095-69-114 | 2 | BASE, SE, SPORT MANUAL DOOR MIRROR | |
| 69 115C | | KNOB 'B', DOOR MIRROR | B095-69-115 | 2 | BASE, SE, SPORT MANUAL DOOR MIRROR | |
| 69 117 | | BRACKET (R), MIRROR | F044-69-124A | 1 | BASE, SE, SPORT MANUAL DOOR MIRROR | |
| 69 123 | | SCREW, MIRROR | HA50-69-119 | | BASE, SE, SPORT MANUAL DOOR MIRROR | |
| 69 128A | | BOOT (R), DOOR MIRROR | FB01-69-128 | 1 | | |
| 69 128Y | | BOOT (L), DOOR MIRROR | FB01-69-188 | 1 | | |
| 69 137 | | WIRE, REMOTE CONTROL MIRROR | F045-69-108A | | | |
| 69 140A | | GLASS (R), MIRROR | FB01-69-123 | 1 | '87 SPORT, BASE, SE, GX1 MANUAL DOOR MIRROR ELEC. DOOR MIRROR-BLK | |
| | | | FB45-69-123 | 1 | '88 SPORT, GTU, TURBO, CONV. ELEC. DOOR MIRROR-BODY COLOR | |
| 69 140Y | | GLASS (L), MIRROR | FB01-69-183 | 1 | '87 SPORT, BASE, SE, GX1 MANUAL DOOR MIRROR ELEC. DOOR MIRROR-BLK | |
| | | | FB45-69-183 | 1 | '88 SPORT, GTU, TURBO, CONV. ELEC. DOOR MIRROR-BODY COLOR | |
| 69 170 | | MIRROR, INTERIOR | FB68-69-220B | 1 | CONV. | |
| | | GRAY | 07 | | | |
| | | BLUE | 48 | | | |
| | | BLACK | 00 | | | |
| 69 170A | | STAY, INTERIOR | FB01-69-113 | 1 | BASE, SE, SPORT MANUAL DOOR MIRROR | |
| 69 170K | | BULB, INTERIOR MIRROR | 0000-11-3175 | 1 | 12V, 10W | |
| 69 177 | | BRACKET (L), MIRROR | F044-69-184A | 1 | BASE, SE, SPORT MANUAL DOOR MIRROR | |
| 69 210 | | SUN VISOR (R) | FB02-69-270A | 1 | W/ VANITY MIRROR, W/O SUNROOF | |
| | | DARK GRAY | 07 | | | |
| | | RED | 10 | | | |
| | | BLUE | 48 | | | |
| | | BLACK | 02 | | | |
| | | DARK GRAY | 07 | | | |
| | | RED | 10 | | | |
| | | | FB03-69-270A | 1 | W/ SUNROOF | |

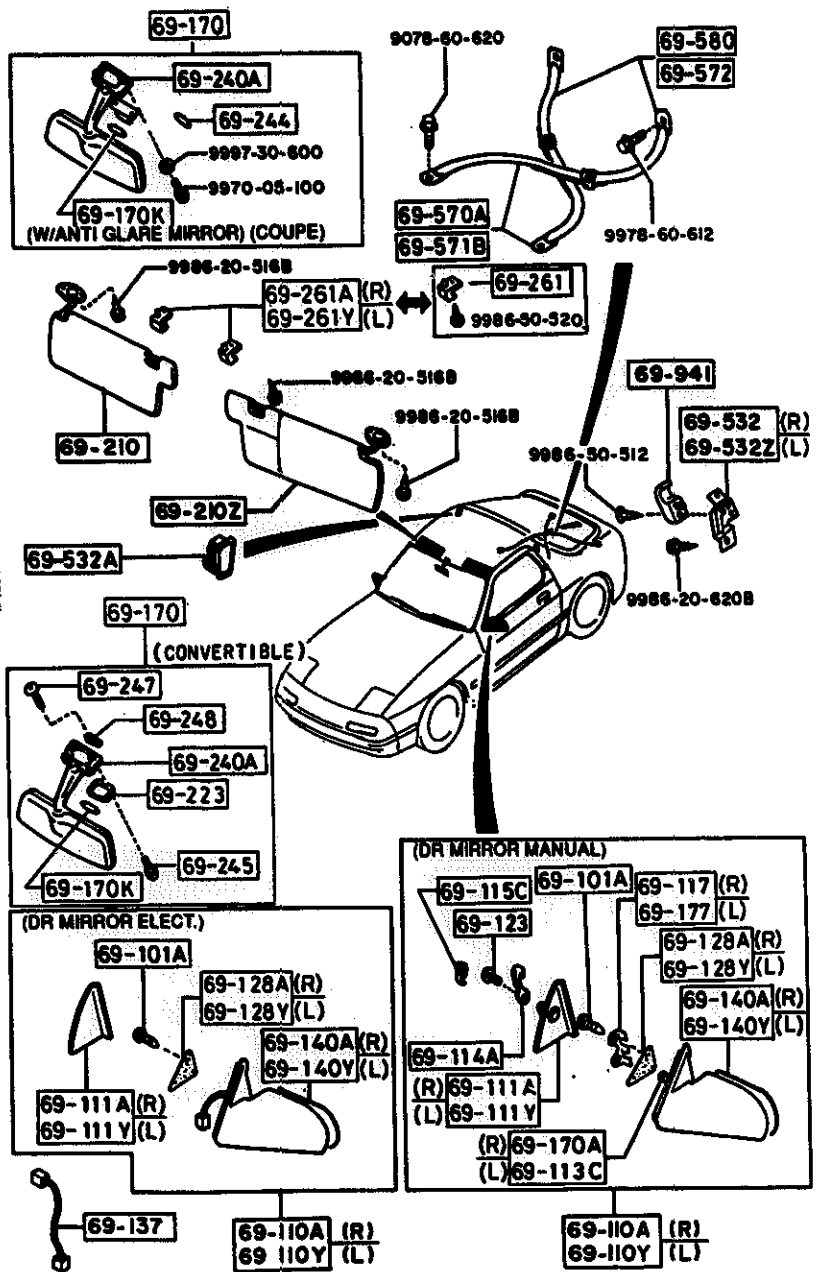
6900A-4 VISORS, ASSIST HANDLES & MIRRORS



| ITEM NO. | D-CODE | DESCRIPTION | PART NO. | QTY | MODEL/DESCRIPTION | REMARKS |
|-----------------|--------|-------------------------------|--------------|-----|-------------------|---------|
| 69 210 (CONT'D) | | BLUE | 48 | | | |
| | | | FB67-69-270A | 1 | CONV. | |
| | | DARK GRAY | 07 | | | |
| | | BLUE | 48 | | | |
| 69 210Z | | SUN VISOR (L) | FB34-69-320B | 1 | W/O SUNROOF | |
| | | DARK GRAY | 07 | | | |
| | | RED | 10 | | | |
| | | BLUE | 48 | | | |
| | | | FB33-69-320B | 1 | W/ SUNROOF | |
| | | BLACK | 02 | | | |
| | | DARK GRAY | 07 | | | |
| | | RED | 10 | | | |
| | | BLUE | 48 | | | |
| | | | FB67-69-320A | 1 | CONV. | |
| | | DARK GRAY | 07 | | | |
| | | BLUE | 48 | | | |
| 69 223 | | LENS, INTERIOR LAMP | FB67-69-223 | 1 | CONV. | |
| 69 240A | | BASE, INTERIOR MIRROR | FB67-69-240 | 1 | CONV. | |
| | | DARK GRAY | 07 | | | |
| | | BLUE | 48 | | | |
| | | | FB10-69-240 | 1 | COUPE | 7501- |
| 69 244 | | PIN, INTERIOR MIRROR | FB10-69-244 | 1 | COUPE | 7501- |
| 69 245 | | SCREW, INTERIOR MIRROR | FB67-69-245 | 1 | CONV. | |
| 69 247 | | HOLDER, PIN | FB67-69-247 | 1 | CONV. | |
| 69 248 | | SPRING, INTERIOR MIRROR | FB67-69-248 | 1 | CONV. | |
| 69 261 | | ADAPTER, SUN VISOR | H260-69-261 | 2 | CONV. | |
| | | DARK GRAY | 07 | | | |
| | | RED | 10 | | | |
| | | BLUE | 48 | | | |
| 69 261A | | ADAPTER (R), CENTER-SUN VISOR | FB01-69-261 | 1 | W/O SUNROOF | |
| | | DARK GRAY | 07 | | | |
| | | RED | 10 | | | |
| | | BLUE | 48 | | | |
| | | | FB03-69-261 | 1 | W/ SUNROOF | |
| | | BLACK | 02 | | | |
| | | DARK GRAY | 07 | | | |
| | | RED | 10 | | | |
| | | BLUE | 48 | | | |
| 69 261Y | | ADAPTER (L), CENTER-SUN VISOR | FB01-69-262 | 1 | W/O SUNROOF | |
| | | DARK GRAY | 07 | | | |
| | | RED | 10 | | | |

7501 FC33* -547831

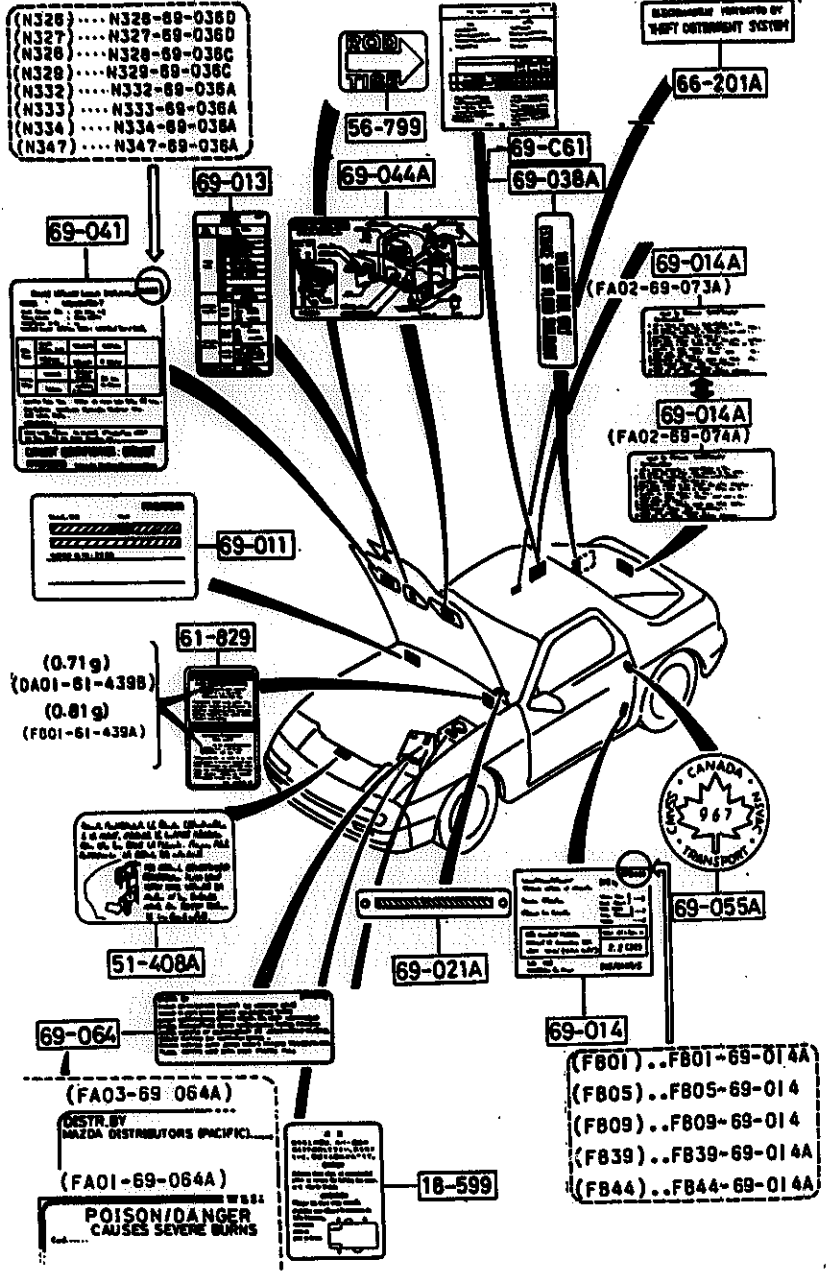
6900A-5 VISORS, ASSIST HANDLES & MIRRORS



| ITEM NO. | D-CODE | DESCRIPTION | PART NO. | QTY | MODEL/DESCRIPTION | REMARKS |
|------------------|--------|--------------------------|-------------|-----|-------------------|---------|
| 69 261Y (CONT'D) | | BLUE | 48 | | | |
| | | BLACK | FB03-69-262 | 1 | W/ SUNROOF | |
| | | DARK GRAY | 02 | | | |
| | | RED | 07 | | | |
| | | RED | 10 | | | |
| | | BLUE | 48 | | | |
| 69 532 | | BRACKET (R), COAT HANGER | FB01-69-532 | 1 | COUPE | |
| 69 532A | | FASTENER, COAT HANGER | FB31-69-532 | 1 | COUPE | |
| | | BLACK | 02 | | | |
| | | DARK GRAY | 07 | | | |
| | | RED | 10 | | | |
| | | BLUE | 48 | | | |
| 69 532Z | | BRACKET (L), COAT HANGER | FB01-69-542 | 1 | COUPE | |
| 69 570A | | STRAP 'A', CARGO ROOM | FA54-69-571 | 2 | COUPE | |
| | | BLACK | 00 | | | |
| | | DARK GRAY | 07 | | | |
| | | RED | 10 | | | |
| | | BLUE | 48 | | | |
| 69 571B | | STRAP 'A', L/COMPARTMENT | FB67-69-571 | 2 | CONV. | |
| 69 572 | | STRAP 'B', L/COMPARTMENT | FB67-69-572 | 2 | CONV. | |
| 69 580 | | STRAP 'B', CARGO ROOM | FA54-69-572 | 2 | COUPE | |
| | | BLACK | 00 | | | |
| | | DARK GRAY | 07 | | | |
| | | RED | 10 | | | |
| | | BLUE | 48 | | | |
| 69 941 | | HANGER, COAT | FB01-69-531 | 2 | | |
| | | BLACK | 02 | | | |
| | | DARK GRAY | 07 | | | |
| | | RED | 10 | | | |
| | | BLUE | 48 | | | |

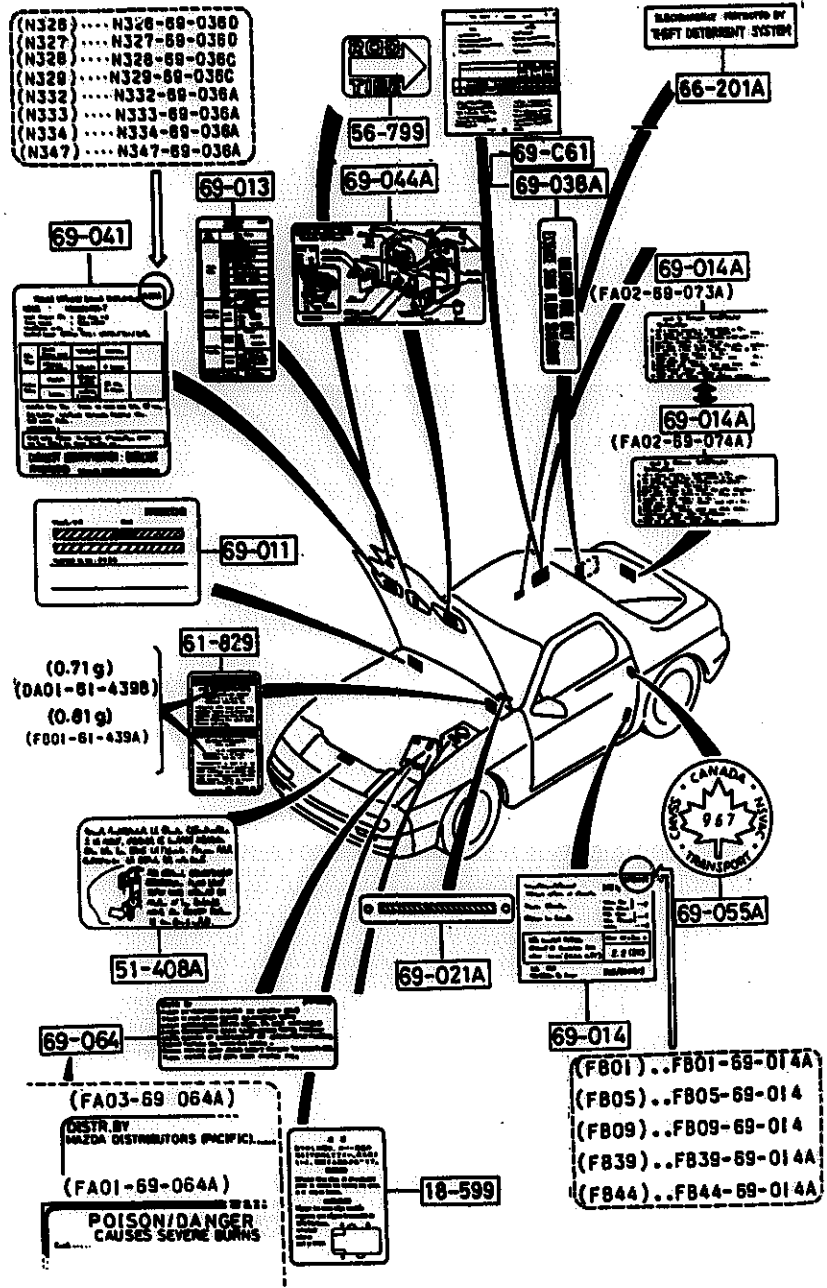
6930-1

CAUTION PLATES & LABELS



| ITEM NO. | D-CODE | DESCRIPTION | PART NO. | QTY | MODEL/DESCRIPTION | REMARKS |
|----------|--------|----------------------------|--------------|-------|----------------------------|-----------|
| 18 599 | | LABEL, CAUTION-BATTERY BOX | F834-51-408 | 1 | | 8101- |
| 51 408A | | LABEL, CAUTION-RETRACTABLE | F834-51-408 | 1 | | |
| 56 799 | | LABEL, HOOD STAY | UB39-56-799 | 1 | | |
| 61 829 | | LABEL, CAUTION | F801-61-439B | 1 | | 7C01- |
| | | | DA01-61-439C | 1 | | 6625-6901 |
| 66 201A | | LABEL, BURGLAR ALARM | F801-66-201 | 1 | | -7701 |
| 69 011 | | PLATE, MODEL | B595-69-011B | 1 | | |
| 69 013 | | LABEL, OIL | F801-69-D21A | 1 | COUPE | |
| | | | FB67-69-013 | 1 | CONV. | |
| 69 014 | | LABEL, TIRE | F801-69-014A | 1 | 2-SEATER | |
| | | | FB09-69-014 | 1 | 185/70 HR14, 185/70 R1487H | |
| | | | FB39-69-014A | 1 | 22 | |
| | | | FB44-69-014A | 1 | 205/60 VR15 | |
| | | | FB05-69-014A | 1 | 22 | |
| 69 014A | | LABEL, TEMPORARY TIRE | FA02-69-073A | 1 | 185/70 HR14, 185/70 R1487H | |
| 69 021A | | PLATE, CAUTION | GA02-69-068 | 1 | | |
| 69 038A | | LABEL, GASOLINE | UB40-69-065 | 1 | | |
| 69 041 | | LABEL, EMISSION | N326-69-036A | 1 | FED., W/O TURBO | -6701 |
| | | | N326-69-036B | 1 | FED., W/O TURBO | 6701-7701 |
| | | | N326-69-036C | 1 | FED., W/O TURBO | 7701-8122 |
| | | | N326-69-036D | 1 | FED., W/O TURBO | 8122- |
| | | | N327-69-036A | 1 | CAL., W/O TURBO | -6701 |
| | | | N327-69-036B | 1 | CAL., W/O TURBO | 6701-7701 |
| | | | N327-69-036C | 1 | CAL., W/O TURBO | 7701-8122 |
| | | | N327-69-036D | 1 | CAL., W/O TURBO | 8122- |
| | | | N332-69-036 | 1 | FED., TURBO | -7701 |
| | | | N332-69-036A | 1 | FED., TURBO | 7701- |
| | | | N334-69-036 | 1 | CAL., TURBO | -7701 |
| | | | N334-69-036A | 1 | CAL., TURBO | 7701- |
| 69 044A | | LABEL, VACUUM DIAPHRAGM | N326-69-044 | 1 | CAL. | -6701 |
| | | | N326-69-044A | 1 | CAL. | 6701-7701 |
| | | | N326-69-044B | 1 | CAL. | 7701- |
| | | | N332-69-044 | 1 | CAL. | -7701 |
| | | | N332-69-044A | 1 | CAL. | 7701- |
| 69 055A | | LABEL, SAFETY PANEL | FA11-69-066A | 1 | | -8901 |
| | | | FA11-69-C31 | 1 | | 8901- |
| 69 064 | | LABEL, BATTERY | FA01-69-064 | 1 | | -7A01 |
| 6625 | FC33* | -157816 | 8101 | FC33* | -619238 | |
| 6701 | FC33* | -500010 | | FC351 | -102445 | |
| 6901 | FC33* | -512255 | 8122 | FC33* | -619729 | |
| 7701 | FC33* | -550169 | | FC351 | -102623 | |
| 7A01 | FC33* | -612356 | 8901 | FC33* | -628938 | |
| | FC351 | -100963 | | FC351 | -107782 | |
| 7C01 | FC33* | -617286 | | | | |
| | FC351 | -101890 | | | | |

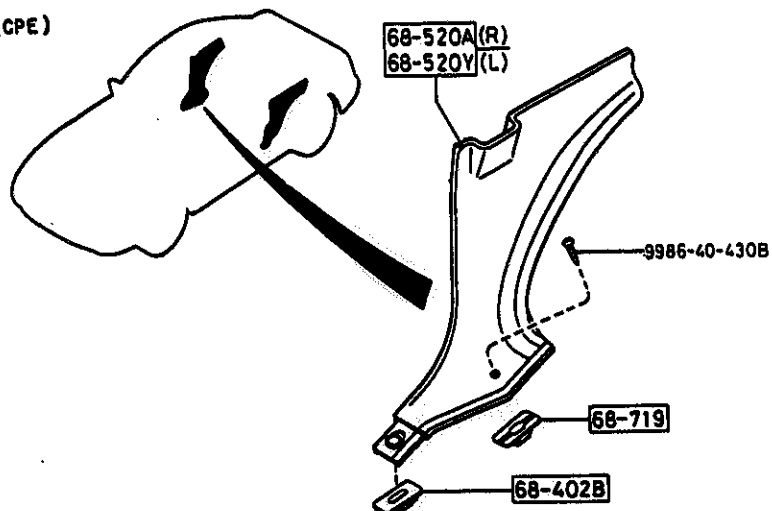
6930-2 CAUTION PLATES & LABELS



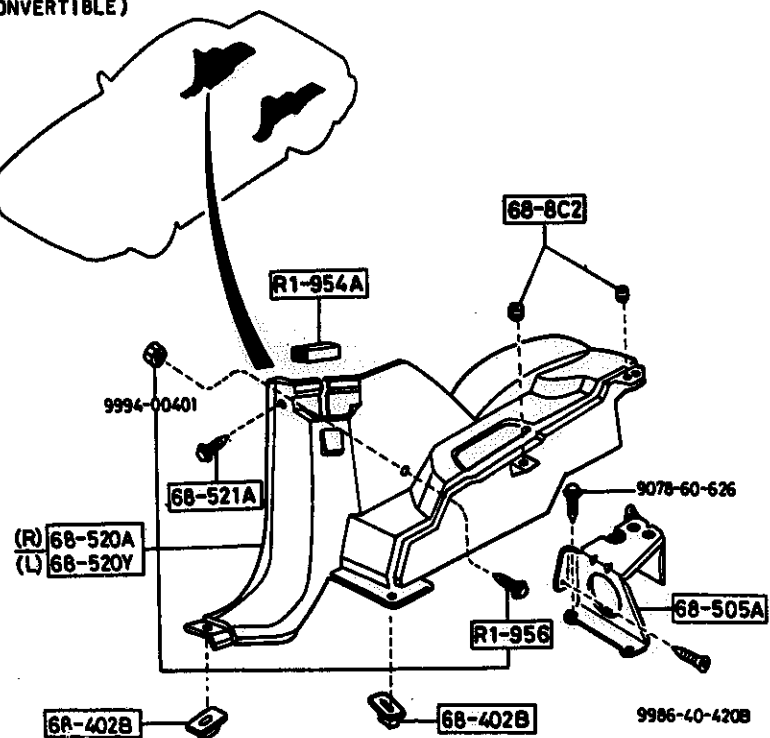
| ITEM NO. | D-CODE | DESCRIPTION | PART NO. | QTY | MODEL/DESCRIPTION | REMARKS |
|----------|----------|----------------------|--------------|-----|-------------------|---------|
| 69 064 | (CONT'D) | | FA01-69-064A | 1 | | 7A01- |
| | | | FA03-69-064A | 1 | | -8A01 |
| | | | FA01-69-064A | 1 | | 8A01- |
| 69 C61 | | LABEL, UNLEADED FUEL | UB40-69-C61 | 1 | | 8901- |
| 7A01 | FC33* | -612356 | | | | |
| | FC351 | -100963 | | | | |
| 8901 | FC33* | -628938 | | | | |
| | FC351 | -107782 | | | | |
| 8A01 | FC33* | -630636 | | | | |
| | FC351 | -108247 | | | | |

7250-1 QUARTER WINDOW & TRIMS

(CPE)



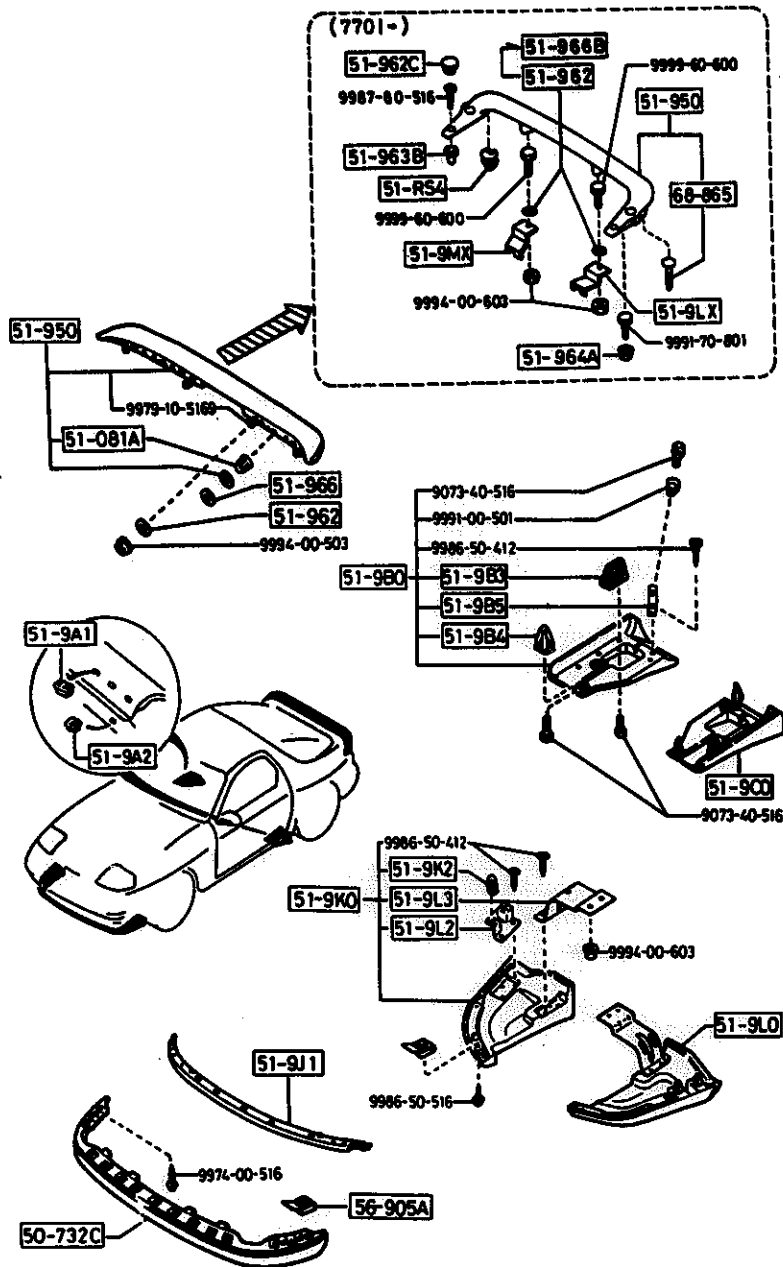
(CONVERTIBLE)



| ITEM NO. | D-CODE | DESCRIPTION | PART NO. | QTY | MODEL/DESCRIPTION | REMARKS |
|----------|--------|-----------------------|--------------|-----|-------------------|---------|
| 68 402B | | GROMMET, SCREW | FA54-68-719B | 8 | CONV. | |
| 68 505A | | BRACKET, QUARTER TRIM | FB67-68-505B | 4 | COUPE | |
| 68 520A | | TRIM (R), QUARTER | FB01-68-520A | 1 | COUPE | |
| | | DARK GRAY | 07 | | | |
| | | RED | 10 | | | |
| | | BLUE | 48 | | | |
| | | DARK GRAY/GRAY | FB67-68-520E | 1 | CONV. | |
| | | BLUE | 07 | | | |
| | | BLUE | 48 | | | |
| 68 520Y | | TRIM (L), QUARTER | FB01-68-550A | 1 | COUPE | |
| | | DARK GRAY | 07 | | | |
| | | RED | 10 | | | |
| | | BLUE | 48 | | | |
| | | DARK GRAY/GRAY | FB67-68-550E | 1 | CONV. | |
| | | BLUE | 07 | | | |
| | | BLUE | 48 | | | |
| 68 521A | | CLIP, QUARTER TRIM | FB67-68-523 | 2 | CONV. | |
| 68 719 | | GROMMET, SCREW | FB01-68-719 | 2 | COUPE | |
| 68 8C2 | | NUT, EXPANSION | FB67-68-8C2 | 4 | CONV. | |
| R1 954A | | HOOK, SCREW-QTR. TRIM | FB67-R1-954 | 2 | CONV. | |
| R1 956 | | HOOK, SCREW-QTR. TRIM | FB67-R1-956A | 2 | CONV. | |

7800-1

SPOILERS & RELATED PARTS

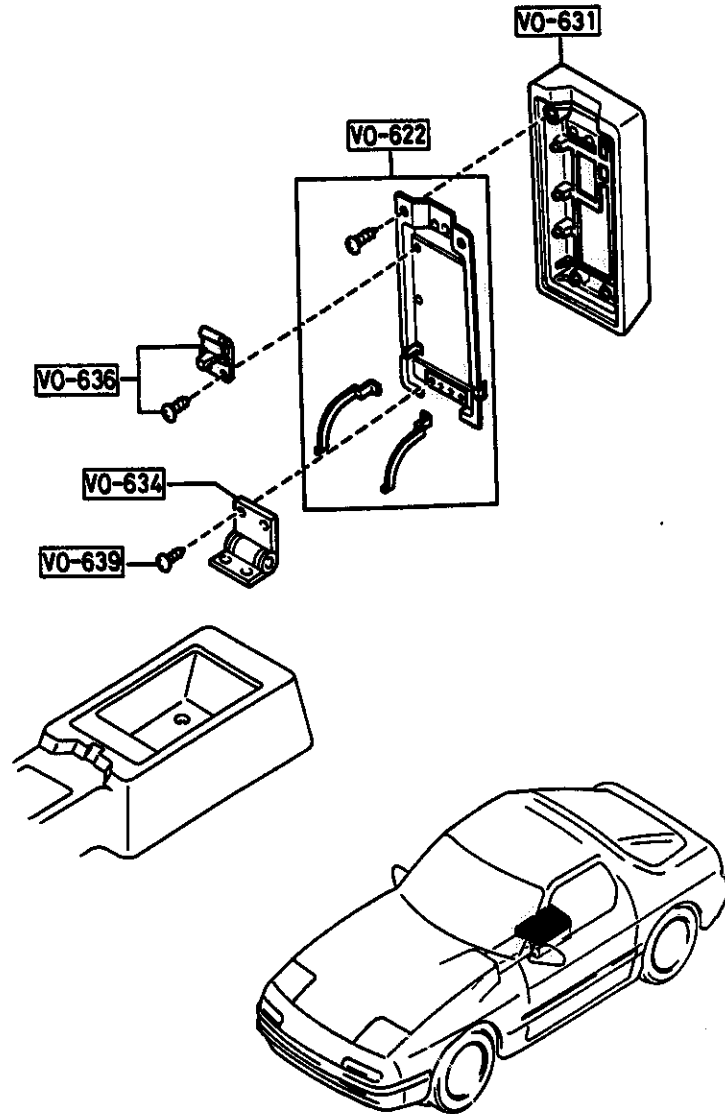


| ITEM NO. | D-CODE | DESCRIPTION | PART NO. | QTY | MODEL/DESCRIPTION | REMARKS |
|----------|--------|---------------------------------|--------------|-----|-------------------------|---------|
| 50 732C | | SKIRT, FRONT AIR DAM | FB01-50-732 | 1 | | |
| 51 081A | | FASTENER | FB01-51-963A | 2 | | -5B01 |
| 51 950 | | SPOILER, REAR | FB01-51-960A | 1 | COUPE | -7701 |
| | | | FB03-51-960 | 1 | COUPE | 7701- |
| | | ARCTIC SILVER METALLIC | J5 | | | |
| | | BRILLIANT BLACK | PZ | | | |
| | | SUNRISE RED | RH | | | |
| | | NOBLE WHITE | WY | | | |
| 51 962 | | GROMMET, SCREW | FB01-51-962 | 6 | COUPE | -5B01 |
| | | | | 4 | COUPE | 5B01- |
| 51 962C | | CAP, REAR SPOILER | FB03-51-962 | 2 | COUPE | 7701- |
| | | ARCTIC SILVER METALLIC | J5 | | | |
| | | BRILLIANT BLACK | PZ | | | |
| | | SUNRISE RED | RH | | | |
| | | NOBLE WHITE | WY | | | |
| 51 963B | | GROMMET, SCREW-REAR SPOILER | FB02-51-963 | 2 | COUPE | 7701- |
| 51 964A | | NUT, CAP-REAR SPOILER | FB02-51-964 | 2 | COUPE | 7701- |
| 51 966 | | PROTECTOR | FB01-51-966 | 4 | COUPE | -7701 |
| | | | FB01-51-966B | 4 | COUPE | 7701- |
| 51 9A1 | | PLUG 'A', BLIND-SIDE SPOILER | FB03-51-9A1 | 6 | W/O AERO PARTS COUPE | |
| 51 9A2 | | PLUG 'B', BLIND-SIDE SPOILER | FB03-51-9A2 | 2 | W/O AERO PARTS COUPE | |
| 51 980 | | SPOILER (R), SIDE | FB01-51-980A | 1 | COUPE | |
| 51 983 | | GROMMET, SCREW-SIDE SPOILER 'C' | FB01-51-983 | 6 | COUPE | |
| 51 984 | | GROMMET, SCREW-SIDE SPOILER 'A' | FB01-51-984 | 2 | COUPE | |
| 51 985 | | GROMMET, SCREW-SIDE SPOILER 'B' | FB01-51-985 | 2 | COUPE | |
| 51 9C0 | | SPOILER (L), SIDE | FB01-51-9C0A | 1 | COUPE | |
| 51 9J1 | | DAM (C), AIR-SKIRT | FB01-51-9J1A | 1 | COUPE | |
| 51 9K0 | | SKIRT (R), FRONT AIR DAM | FB01-51-9K0A | 1 | COUPE | |
| 51 9K2 | | FASTENER, AIR DAM-SKIRT | FB01-51-9K2 | 4 | COUPE | |
| 51 9L0 | | SKIRT (L), FRONT AIR DAM | FB01-51-9L0A | 1 | COUPE | |
| 51 9L2 | | BRACKET 'A', AIR DAM | FB01-51-9L2 | 2 | COUPE | |
| 51 9L3 | | BRACKET 'B', AIR DAM | FB01-51-9L3 | 2 | COUPE | |
| 51 9LX | | STIFFENER (L), REAR SPOILER | FB02-51-9LXB | 1 | COUPE | 7701- |
| 51 9MX | | STIFFENER (R), REAR SPOILER | FB02-51-9MXB | 1 | COUPE | 7701- |
| 51 RS4 | | CLIP, REAR SPOILER | KA10-51-RS4 | 4 | COUPE | 7701- |
| 56 905A | | NUT, SPRING | W023-60-122 | 4 | | |
| 68 865 | | FASTENER | G045-68-865 | 2 | COUPE | 7701- |
| | | BLACK | 00 | | | |

5B01 FC33* -113629
7701 FC33* -550169

7900-1

ACCESSORIES-CONSOLE LID



| ITEM NO. | D-CODE | DESCRIPTION | PART NO. | QTY | MODEL/DESCRIPTION | REMARKS |
|----------|--------|-------------|-------------|-----|-------------------|---------|
| VO 622 | | LID, INNER | FB01-VO-622 | 1 | | |
| VO 631 | | LID, OUTER | FB01-VO-631 | 1 | | |
| | | RED | 1F | | | |
| | | BLUE | 5F | | | |
| | | GRAY | 7F | | | |
| VO 634 | | HINGE | FB01-VO-634 | 1 | | |
| | | RED | 1F | | | |
| | | BLUE | 5F | | | |
| | | GRAY | 7F | | | |
| VO 636 | | PLATE, LOCK | FB01-VO-636 | 1 | | |
| VO 639 | | SCREW | FB01-VO-639 | 1 | | |